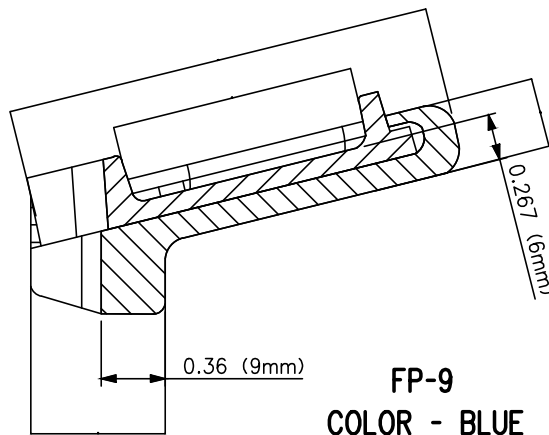


HD-6
COLOR - BLACK



FP-9
COLOR - BLUE

FOR USE ON 60A, 60B, 60C, 60E AND 60G TIES IN ALL POSITIONS

SECTION Z-Z

NOTES:

1. ALL DIMENSIONS ARE IN INCHES UNLESS OTHERWISE NOTED
2. MATING SURFACES MUST BE CLEAN ON ASSEMBLY.
3. PLATE AND COVER MATERIAL TO BE APPROVED BY CHIEF ENGINEER

FOR ADDITIONAL INFORMATION E-MAIL "TRACKSTD"

0	17/09/15	DWG VERSION ESTABLISHED	
No.	Date	Revision	By Approved
Standard/		INSULATORS FOR 132 AND 136 LB. RAIL	
Drawn	LG	Checked	DGRL
Approved	VP Corridor Infrastructure		
Date	SEPT 15/2017	Plan Number	GTS-1323
		Rev	0
REFERENCE: TS-1323_R0		Sheet 1 OF 1	