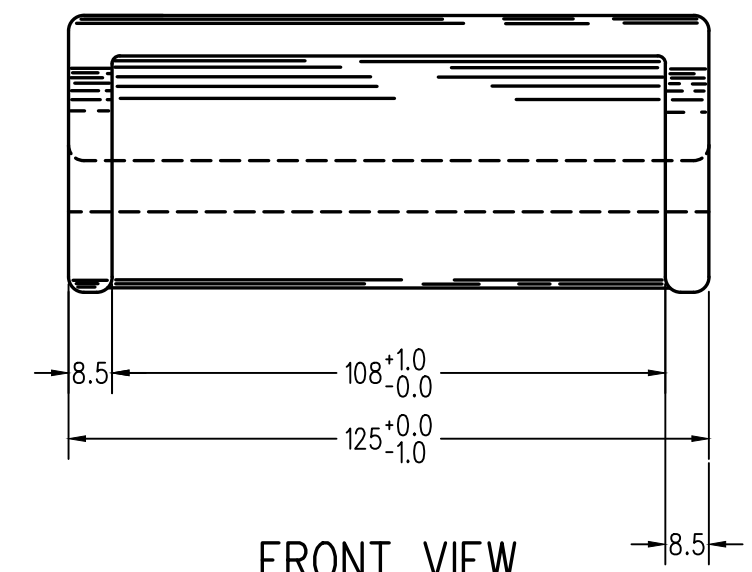


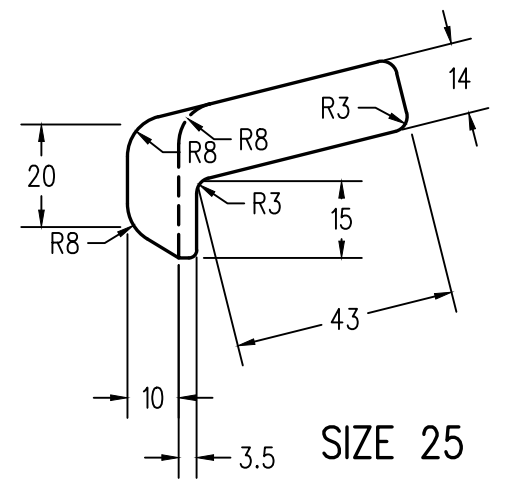
IDENTIFICATION CHARACTERS, INDENTED 1mm, TO BE CAST ON EACH COVER PLATE, AS SHOWN.



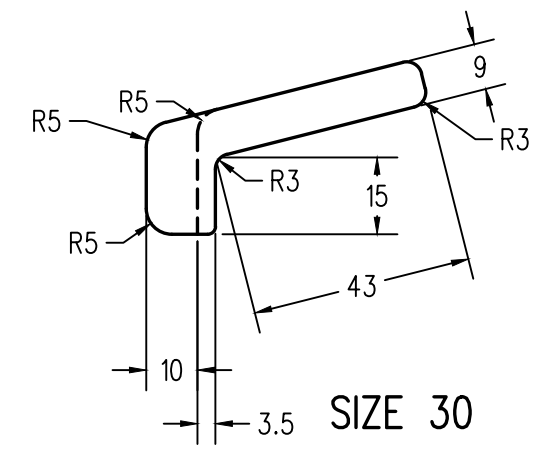
PLAN VIEW



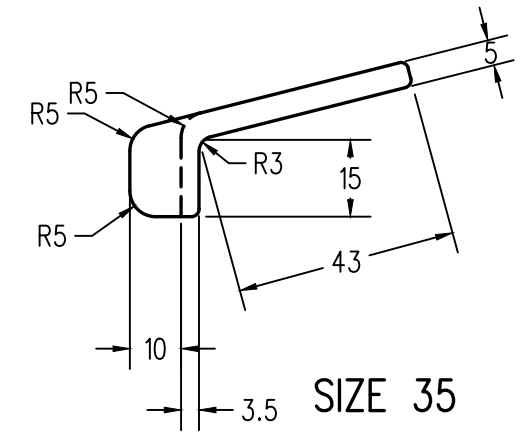
FRONT VIEW



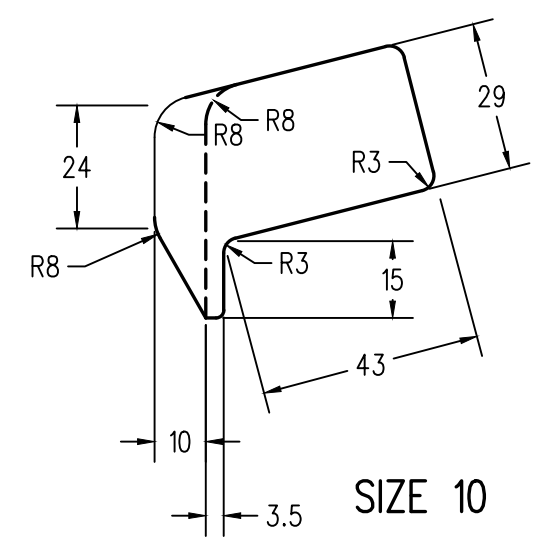
SIZE 25



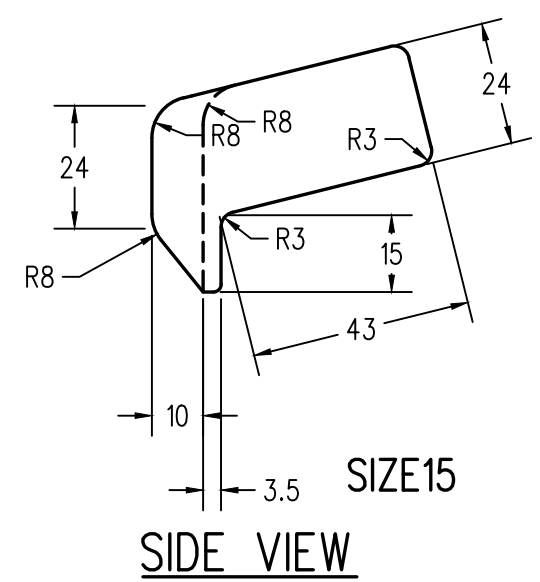
SIZE 30



SIZE 35

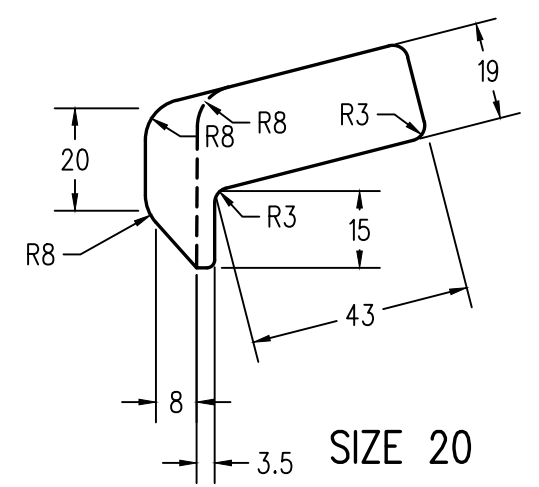


SIZE 10



SIZE 15

SIDE VIEW



SIZE 20

NOTES

- 1- ALL DIMENSIONS ARE IN MILLIMETERS
- 2- ALL SHARP EDGES TO BE ROUNDED OFF 1.5mm
- 3- IDENTIFICATION CHARACTER AS SHOWN, TO BE CLEARLY CAST 15mm HIGH
- 4- DIMENSION ARE FOR FINISHED COVER PLATES. PROPER ALLOWANCE MUST BE MADE FOR SHRINKAGE WHEN MAKING PATTERNS.
- 5- FOR INSTALLATION DETAILS SEE GTS-2207

MATERIAL

COVER PLATES SHALL BE OF MALLEABLE IRON MADE IN ACCORDANCE WITH THE LATEST REVISION OF GO TRACK STANDARDS AND OF ASTM STANDARD SPECIFICATION FOR MALLEABLE CASTINGS NO. A47 GRADE 32510.

METRIC CONVERSION: 1 inch=25.4mm, 1 foot=304.8mm

No.	Date	Revision	By Approved
1	18/07/27	ADDED IMPERIAL TO METRIC CONVERSION NOTE	

Standard / **SHIM COVER PLATE**

Drawn MG Checked GGS Approved *[Signature]*
VP Engineering & Asset Management



METROLINX

Date DEC 15, 2017 Plan Number GTS-1333 Rev 1

REFERENCE: TS-1333 Sheet 1 OF 1