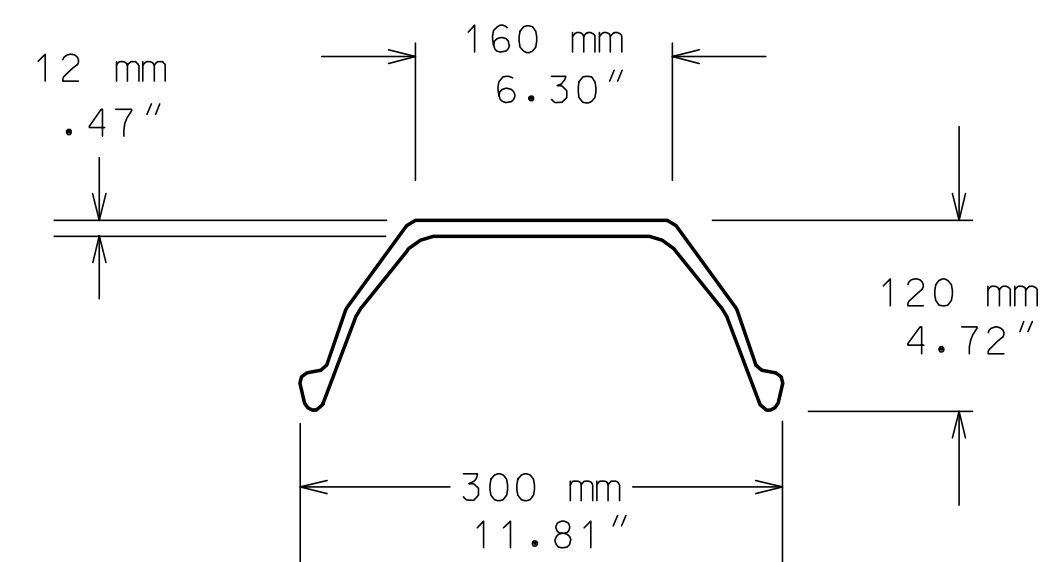


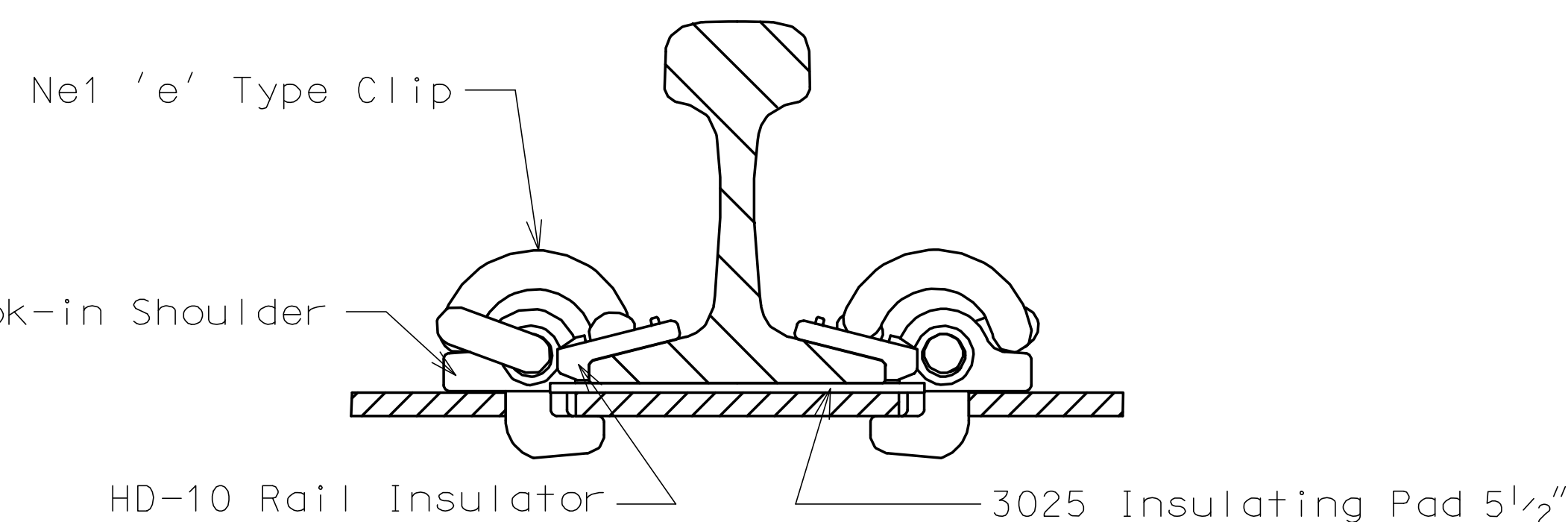
Bar Section



Stamp Detail

4 Ballast Inspection Holes - Ø7/8" Typ.

Rail and Guard Rail Assemblies



Section Properties : H12 Bar

- Cut Length : 2743.2mm
- Weight of bar : 35.3kg/m
- Weight of tie : 96.8kg
- Yield strength : 345 MPa (min)
- Section moduli : Z Top = $175^3 \times 10^3$ mm
- : Z Bot = $88.4^3 \times 10^3$ mm

METRIC CONVERSION: 1 inch=25.4mm, 1 foot=304.8mm			
0	18/08/31	REVISED PDF VERSION ESTABLISHED	
No.	Date	Revision	By Approved
Standard		H12 GUARD RAIL TIE INSULATED 115LB RE RUNNING AND GUARD RAIL, 1:40 CANT 9' CUT LENGTH	
Drawn	MG	Checked	GGS
		Approved	<i>[Signature]</i> VP Engineering & Asset Management
Date	AUG 31, 2017	Plan Number	GTS-2103 Rev 0
REFERENCE:			Sheet 1 OF 1