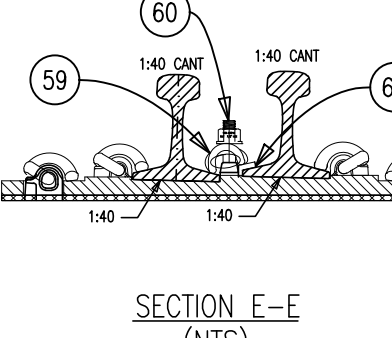
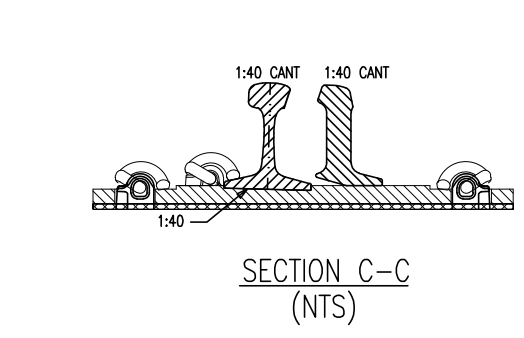
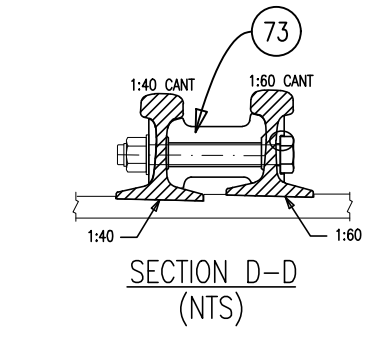
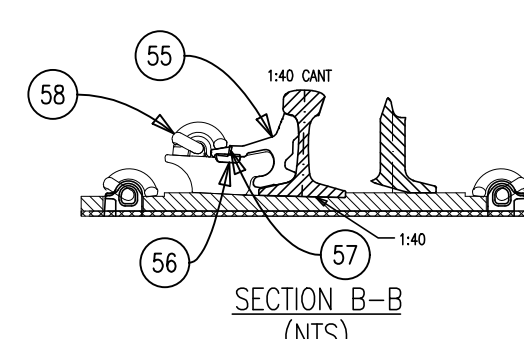
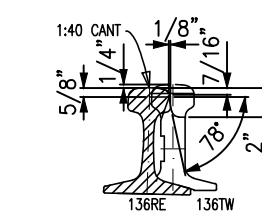
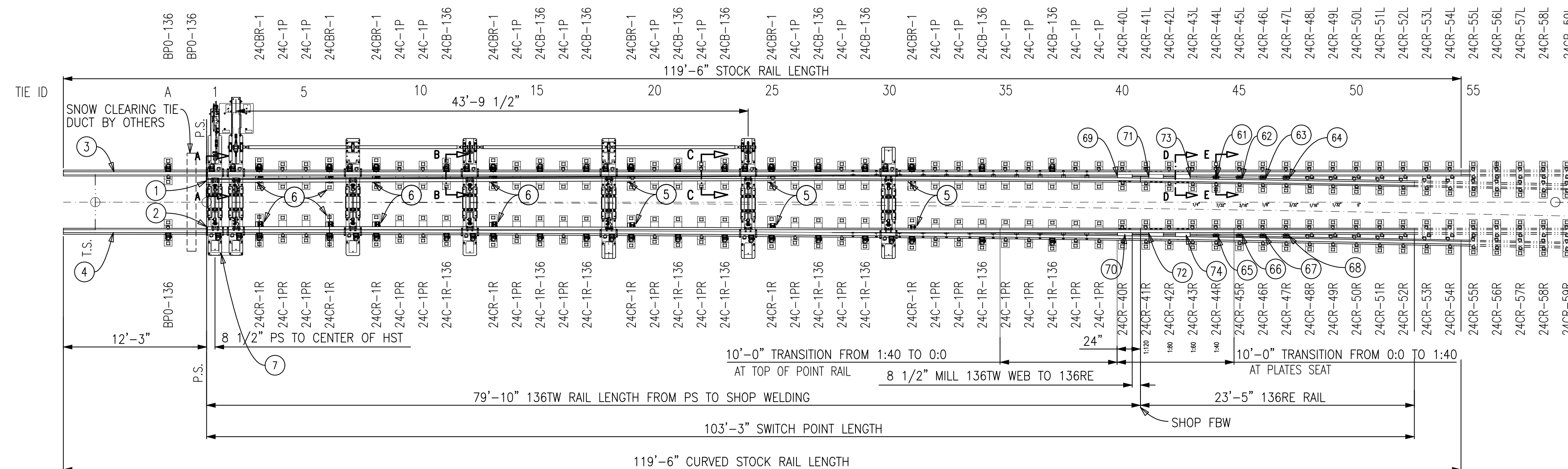


BILL OF MATERIAL			BILL OF MATERIAL			BILL OF MATERIAL			BILL OF MATERIAL		
ITEM	DESCRIPTION	QTY	ITEM	DESCRIPTION	QTY	ITEM	DESCRIPTION	QTY	ITEM	DESCRIPTION	QTY
1	SAMSON POINT, LH CURVED, 136TW x 103'-3" LONG	1	20	SWITCH HEEL PLATE 24CR-42R, CANTED 1:40	1	39	SWITCH HEEL PLATE 24CR-52L, CANTED 1:40	1	58	E-CLIP, PANDROL, E-2055 RH	196
2	SAMSON POINT, RH STRAIGHT, 136TW x 103'-3" LONG	1	21	SWITCH HEEL PLATE 24CR-43L, CANTED 1:40	1	40	SWITCH HEEL PLATE 24CR-52R, CANTED 1:40	1	59	CLIP, SKL 12	8
3	STOCK RAIL, LH STRAIGHT SAMSON, 136RE x 119'-6" LONG	1	22	SWITCH HEEL PLATE 24CR-43R, CANTED 1:40	1	41	SWITCH HEEL PLATE 24CR-53L, CANTED 1:40	1	60	T BOLT 7/8" DIA. 4" LONG C/W NUT AND FLAT WASHER	8
4	STOCK RAIL, RH CURVED SAMSON, 136RE x 119'-6" LONG	1	23	SWITCH HEEL PLATE 24CR-44L, CANTED 1:40	1	42	SWITCH HEEL PLATE 24CR-53R, CANTED 1:40	1	61	STEEL INSERT 1L, FOR SKL 12 CLIP	1
5	SCHWIHAG SWITCH POINT ROLLER ASSY, SINGLE ROLLER	6	24	SWITCH HEEL PLATE 24CR-44R, CANTED 1:40	1	43	SWITCH HEEL PLATE 24CR-54L, CANTED 1:40	1	62	STEEL INSERT 2L, FOR SKL 12 CLIP	1
6	SCHWIHAG SWITCH POINT ROLLER ASSY, DOUBLE ROLLERS	8	25	SWITCH HEEL PLATE 24CR-45L, CANTED 1:40	1	44	SWITCH HEEL PLATE 24CR-54R, CANTED 1:40	1	63	STEEL INSERT 3L, FOR SKL 12 CLIP	1
7	HOLLOW STEEL TIE SET, SWITCH ROD TO BE ADJUSTED	1	26	SWITCH HEEL PLATE 24CR-45R, CANTED 1:40	1	45	SWITCH HEEL PLATE 24CR-55L, CANTED 1:40	1	64	STEEL INSERT 4L, FOR SKL 12 CLIP	1
8	SWITCH BRACE PLATE BPO-136, CANTED 1:40	2	27	SWITCH HEEL PLATE 24CR-46L, CANTED 1:40	1	46	SWITCH HEEL PLATE 24CR-55R, CANTED 1:40	1	65	STEEL INSERT 1R, FOR SKL 12 CLIP	1
9	SWITCH BRACE PLATE 24CBR-1 FOR SCHWIHAG ROLLER, CANTED 1:40	7	28	SWITCH HEEL PLATE 24CR-46R, CANTED 1:40	1	47	SWITCH HEEL PLATE 24CR-56L, CANTED 1:40	1	66	STEEL INSERT 2R, FOR SKL 12 CLIP	1
10	SWITCH BRACE PLATE 24CBR-1R FOR SCHWIHAG ROLLER, CANTED 1:40	7	29	SWITCH HEEL PLATE 24CR-47L, CANTED 1:40	1	48	SWITCH HEEL PLATE 24CR-56R, CANTED 1:40	1	67	STEEL INSERT 3R, FOR SKL 12 CLIP	1
11	SWITCH BRACE PLATE 24CB-136, CANTED 1:40	9	30	SWITCH HEEL PLATE 24CR-47R, CANTED 1:40	1	49	SWITCH HEEL PLATE 24CR-57L, CANTED 1:40	1	68	STEEL INSERT 4R, FOR SKL 12 CLIP	1
12	SWITCH BRACE PLATE 24CB-1R-136, CANTED 1:40	9	31	SWITCH HEEL PLATE 24CR-48L, CANTED 1:40	1	50	SWITCH HEEL PLATE 24CR-57R, CANTED 1:40	1	69	HEEL BLOCK ASSEMBLY 1, LH	1
13	SWITCH SLIDE PLATE 24C-1P, CANTED 1:40	16	32	SWITCH HEEL PLATE 24CR-48R, CANTED 1:40	1	51	SWITCH HEEL PLATE 24CR-58L, CANTED 1:40	1	70	HEEL BLOCK ASSEMBLY 1, RH	1
14	SWITCH SLIDE PLATE 24C-1PR, CANTED 1:40	16	33	SWITCH HEEL PLATE 24CR-49L, CANTED 1:40	1	52	SWITCH HEEL PLATE 24CR-58R, CANTED 1:40	1	71	HEEL BLOCK ASSEMBLY 2, LH	1
15	SWITCH HEEL PLATE 24CR-40L, CANTED 1:40	1	34	SWITCH HEEL PLATE 24CR-49R, CANTED 1:40	1	53	SWITCH HEEL PLATE 24CR-59L, CANTED 1:40	1	72	HEEL BLOCK ASSEMBLY 2, RH	1
16	SWITCH HEEL PLATE 24CR-40R, CANTED 1:40	1	35	SWITCH HEEL PLATE 24CR-50L, CANTED 1:40	1	54	SWITCH HEEL PLATE 24CR-59R, CANTED 1:40	1	73	HEEL BLOCK ASSEMBLY 3, LH	1
17	SWITCH HEEL PLATE 24CR-41L, CANTED 1:40	1	36	SWITCH HEEL PLATE 24CR-50R, CANTED 1:40	1	55	BRACE, CLICKTITE RAIL BRACE 136/141RE, DUCTILE IRON	36	74	HEEL BLOCK ASSEMBLY 3, RH	1
18	SWITCH HEEL PLATE 24CR-41R, CANTED 1:40	1	37	SWITCH HEEL PLATE 24CR-51L, CANTED 1:40	1	56	WEDGE, TAPERED FOR CLICKTITE BRACE	36	75	HOLLOW STEEL TIE SET, SWITCH ROD TO BE ADJUSTED	1
19	SWITCH HEEL PLATE 24CR-42L, CANTED 1:40	1	38	SWITCH HEEL PLATE 24CR-51R, CANTED 1:40	1	57	SERRATED WASHER, CLICKTITE RAIL BRACE	36			



METRIC CONVERSION: 1 inch=25.4mm, 1 foot=304.8mm

1	22/08/30	SECTION A-A CALLOUT ADDED AND REFERENCE TO GTS-0245 ADDED TO NOTE 4
0	20/12/09	INITIAL VERSION ESTABLISHED
No.	Date	Revision

Standard / SWITCH PACK NO. 24 - 136RE RH  
SPIRAL HST CONCRETE  
136TW SWITCH POINT DUAL CONTROL POWER

Drawn JB Checked JE Approved *Jay Pittman*  
Chief Engineer

Date DEC. 9, 2020 Plan Number GTS-2117 Rev 1

- NOTES:
- SWITCH POINTS ARE 136RE THICK WEB RAIL AND STOCK RAILS ARE 136RE STANDARD RAIL.
  - THE TOP OF SWITCH POINTS ARE MACHINED TO BE WITH 1:40 CANT EXCEPT CANT TRANSITION AREA, THE STOCK RAILS ARE SEATED IN PLATES WITH 1:40 CANT.
  - SWITCH POINTS ARE UNIFORM RISER DESIGN.
  - SEE GTS-0245 DRAWING FOR TIE LAYOUT SET.
  - SNOW MELTING SYSTEM SUPPLIED BY OTHER.