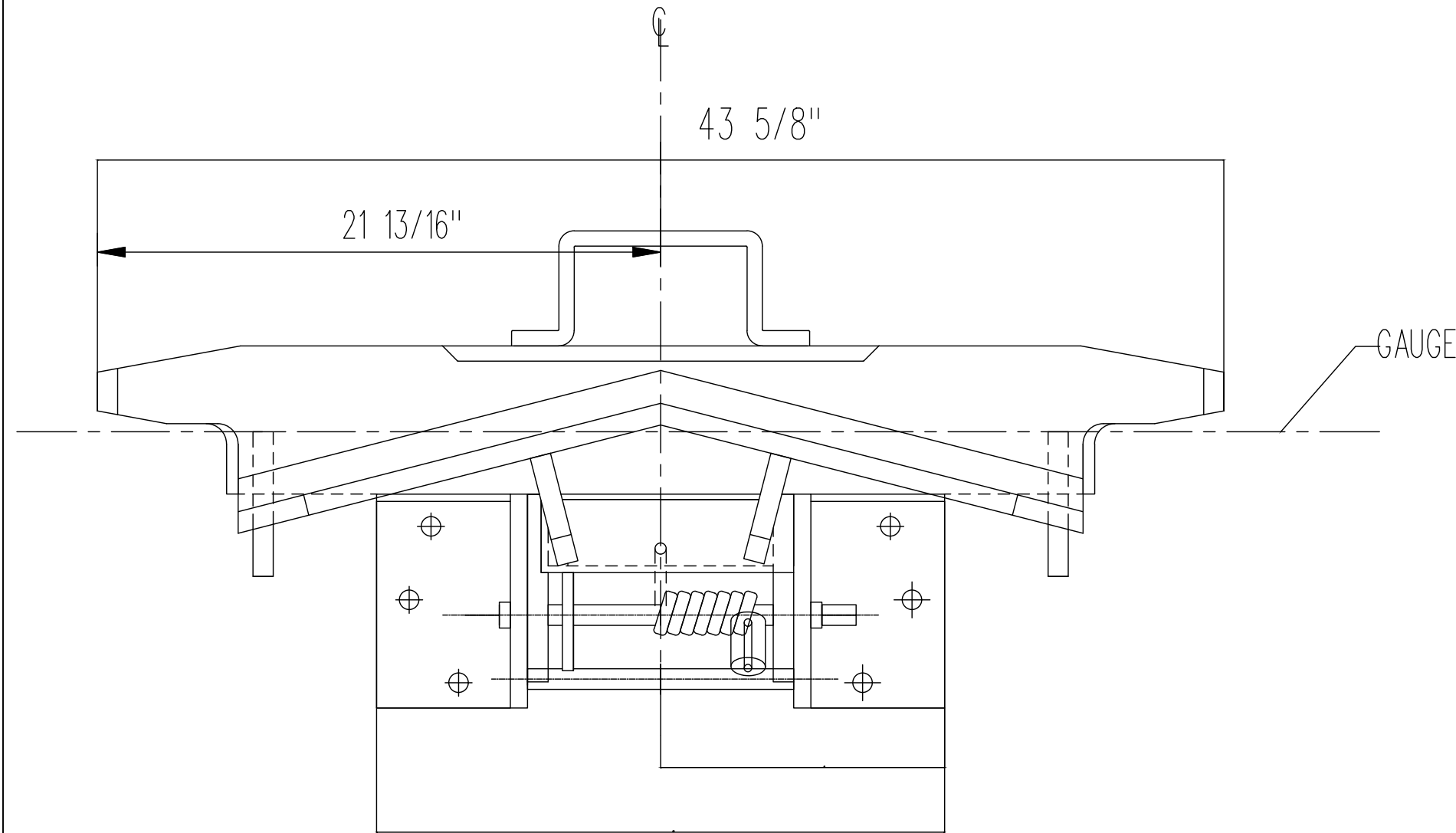


NOTES:

1. WHEN A DERAIL IS INSTALLED OR REMOVED THE PROPER OPERATIONS OFFICER MUST BE ADVISED IMMEDIATELY.
2. THE INSTALLATION OF A HINGE TYPE DERAIL, WITH ACCESSORIES, TO BE IN ACCORDANCE WITH THIS PLAN AND THE LATEST ISSUE OF GO TRACK STANDARDS.
3. FOR OTHER STYLE DERAILS SEE PLAN GTS-2209- SLIDING TYPE. GTS-2210- SWITCH POINT TYPE.
4. THE ENGINEER MAINTENANCE WILL SPECIFY AT EACH DERAIL INSTALLATION THE:
 - (a) TYPE OF DERAIL
 - (b) LOCATION OF DERAIL, AND
 - (c) ACCESSORIES REQUIRED AT DERAIL.
5. THE LOCATIONS OF DERAILS AS SHOWN ON THIS PLAN ARE GENERAL & FINAL LOCATION TO BE DETERMINED BY CHARACTERISTICS AT EACH INDIVIDUAL SITE. FINAL LOCATION TO GIVE MOST ADVANTAGEOUS WORKING EFFECT, TO DERAIL, FOR COMPLETE PROTECTION OF TRACK.
6. IN SIGNALLED TERRITORY THE EFFECTIVE INSULATED JOINT MUST BE LOCATED BETWEEN THE DERAIL AND THE CLEARANCE POINT AND NOT MORE THAN (4) FOUR FEET FROM THE DERAIL.
7. ALL DERAILS, WHEEL CROWDERS AND SWITCH STAND HANDLES AS STATED ON DERAIL PLANS MUST BE PAINTED YELLOW AND PERIODICALLY REPAINTED SO THAT COLOUR INDICATIONS SHOW CLEARLY.
8. EXISTING DERAILS SHOULD BE MODIFIED TO INCLUDE HANDLE & WELDED BEAD, AS SHOWN ON PLAN NO. M-198.



BI-DIRECTIONAL HAYES SAEBXS STYLE SIZE 6 DERAIL WITH SPRING ASSISTANCE

DERAIL DESCRIPTION
5 HAYES MODEL EB RIGHT HAND HINGE-TYPE DERAIL
5 HAYES MODEL EB LEFT HAND HINGE-TYPE DERAIL
6 HAYES MODEL EB RIGHT HAND HINGE-TYPE DERAIL
6 HAYES MODEL EB LEFT HAND HINGE-TYPE DERAIL
5 HAYES MODEL HB RIGHT HAND SLIDING-TYPE DERAIL
5 HAYES MODEL HB LEFT HAND SLIDING-TYPE DERAIL
6 HAYES MODEL HB RIGHT HAND SLIDING-TYPE DERAIL
6 HAYES MODEL HB LEFT HAND SLIDING-TYPE DERAIL
7 HAYES MODEL EB RIGHT HAND HINGE-TYPE DERAIL
7 HAYES MODEL EB LEFT HAND HINGE-TYPE DERAIL
7 HAYES MODEL HB RIGHT HAND SLIDING-TYPE DERAIL
7 HAYES MODEL HB LEFT HAND SLIDING-TYPE DERAIL
SZ 7 HAYES MODEL LEFT HAND DERAIL (110-112-115#)
SZ 7 HAYES MODEL RIGHT HAND DERAIL (110-112-115#)
SZ 8 MODEL HB RIGHT HAND DERAIL
MODEL GTS PORTABLE LEFT HAND DERAIL
MODEL GTS PORTABLE RIGHT HAND DERAIL
SZ 8 MODEL HB LEFT HAND SLIDING-TYPE DERAIL
6 HAYES MODEL SA-XS BIDIRECTIONAL DERAIL
7 HAYES MODEL SA-XS BIDIRECTIONAL DERAIL
5 HAYES MODEL SA-XS BIDIRECTIONAL DERAIL
8 HAYES MODEL SA-XS BIDIRECTIONAL DERAIL

METRIC CONVERSION: 1 inch=25.4mm, 1 foot=304.8mm

No.	Date	Revision	By	Approved
1	18/07/27	ADDED IMPERIAL TO METRIC CONVERSION NOTE		

Standard/ **INSTALLATION DETAILS
HINGE DERAIL
HAYES EB STYLE FOR 85, 100, 115,
132 & 136 LB. RAIL**

Drawn MG Checked GGS Approved *[Signature]*
VP Engineering & Asset Management



Date SEPT 15/2017 Plan Number GTS-2208 Rev 1