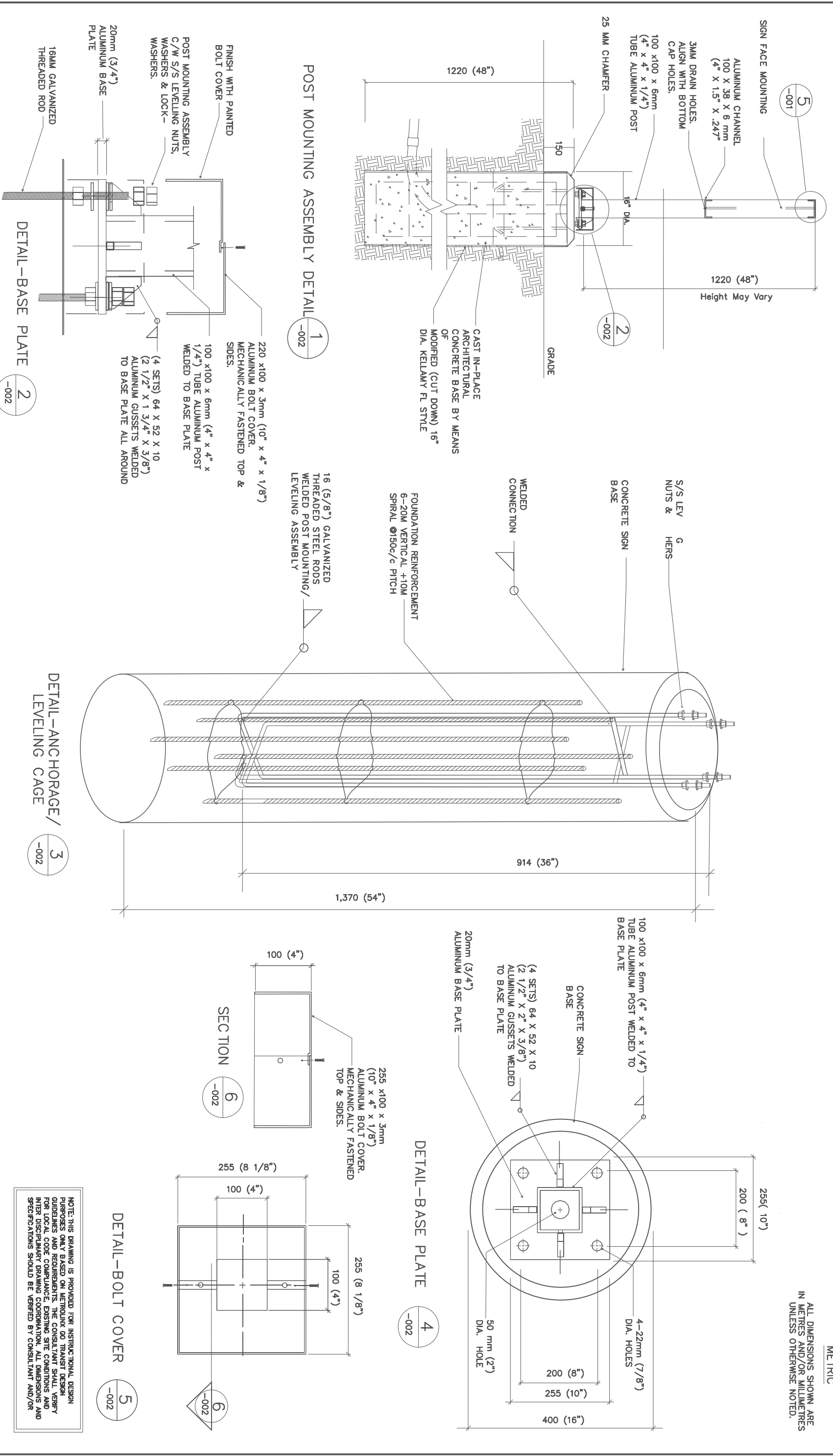


METRIC  
ALL DIMENSIONS SHOWN ARE  
IN METRES AND/OR MILLIMETRES  
UNLESS OTHERWISE NOTED.



NOTE: THIS DRAWING IS PROVIDED FOR INSTRUCTIONAL DESIGN PURPOSES ONLY BASED ON METROLINX OO TRAINST GUIDELINES AND REQUIREMENTS. THE CONSULTANT SHALL VERIFY FOR LOCAL CODE COMPLIANCE, EXISTING SITE CONDITIONS AND AFTER DISCIPLINARY DRAWING COORDINATION. ALL DIMENSIONS AND SPECIFICATIONS SHOULD BE VERIFIED BY CONSULTANT AND/OR

METROLINX PROJECT NO. XXXXXX

REFERENCE DRAWINGS

ISSUE

REVISIONS

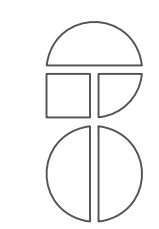
DRAWN BY: G.A.D. 2015/07/28  
CHECKED BY: G.A.D. 2015/07/28  
SCALE: 1:XXX

DESIGNED BY: G.A.D. 2015/07/28  
APPROVED BY: G.A.D. 2015/08/12  
FULL SIZE ONLY

NO.	DATE	ISSUED FOR
1	05.05.12	GENERAL UPDATE
2	05.06.12	GRAPHIC INFO UPDATE
3	07.01.12	NOMENCLATURE REVISION
4	12.27.13	DISCLAIMER NOTE
5	08.12.15	NEW BLADE SIGN DESIGN

REV.	DATE	DESCRIPTION
1	05.05.12	GENERAL UPDATE
2	05.06.12	GRAPHIC INFO UPDATE
3	07.01.12	NOMENCLATURE REVISION
4	12.27.13	DISCLAIMER NOTE
5	08.12.15	NEW BLADE SIGN DESIGN

DWG. NO.	TITLE
XX-20XX-XX-XXX	BLADE-FACILITY ID SIGN (3048 mm)



CONTRACT NO. XX-20XX-XX-XXX		DWG. NO. BLADE-3048-002	REV. SHEET 5 / 2/2
XXXXXXX STATION SECTION AND DETAILS			