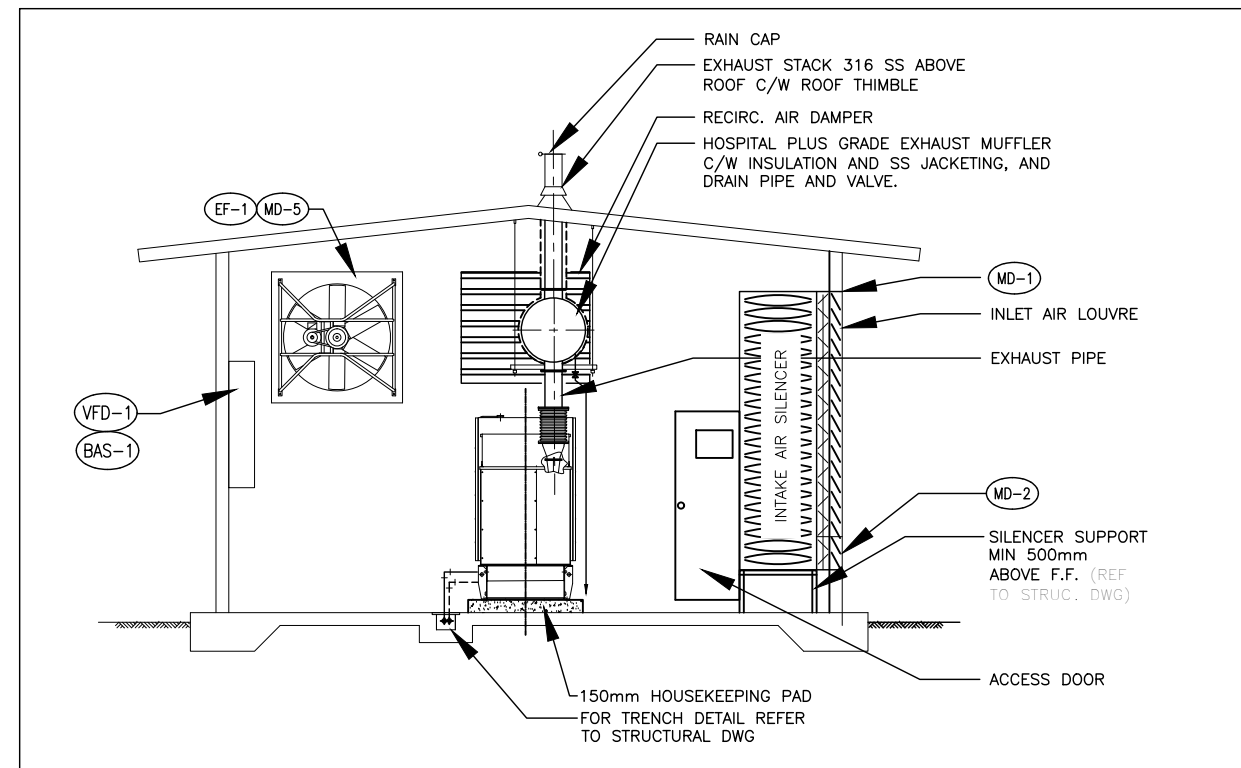
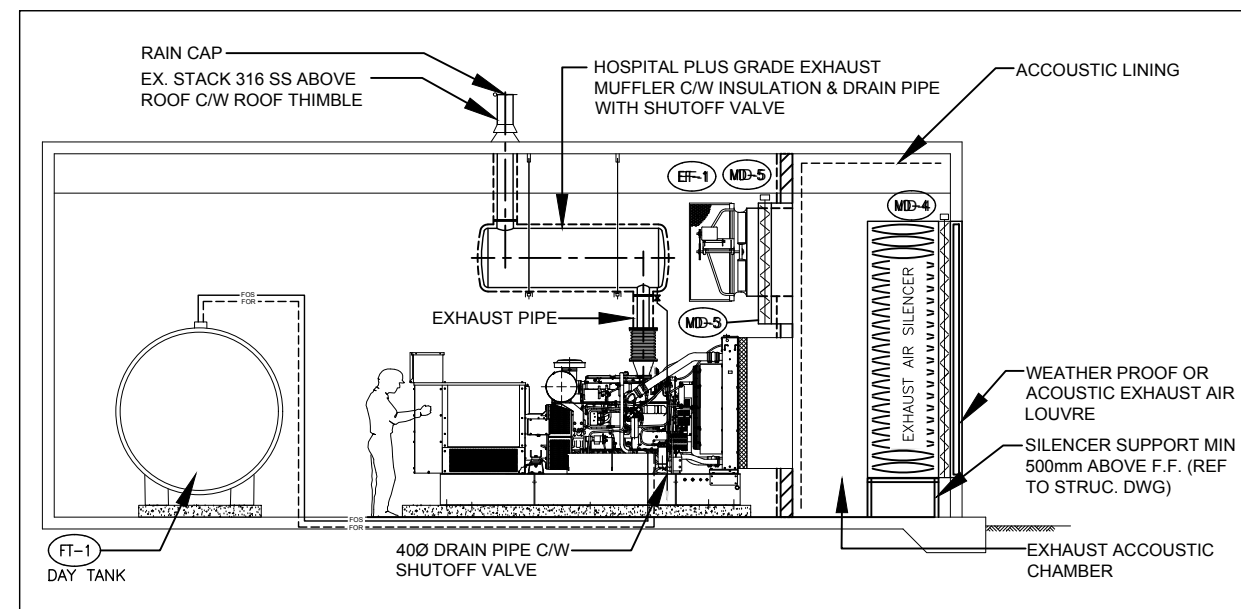


1 M-701 GENERATOR ROOM PLAN



2 M-701 GENERATOR ROOM SECTION



3 M-701 GENERATOR ROOM SECTION

NOTE: THIS DRAWING IS PROVIDED FOR INSTRUCTIONAL DESIGN PURPOSES ONLY BASED ON METROLINX GO TRANSIT DESIGN GUIDELINES AND REQUIREMENTS. THE CONSULTANT SHALL VERIFY FOR LOCAL CODE COMPLIANCE, EXISTING SITE CONDITIONS AND INTER DISCIPLINARY DRAWING COORDINATION. ALL DIMENSIONS AND SPECIFICATIONS SHOULD BE VERIFIED BY CONSULTANT AND/OR CONTRACTOR BEFORE ACTUAL CONSTRUCTION BEGINS.

REFERENCE DRAWINGS	ISSUE	REVISIONS	DRAWN BY:	DESIGNED BY:
			X.X.X.	YY/MM/DD
			YY/MM/DD	YY/MM/DD
			YY/MM/DD	YY/MM/DD
			SCALE: 1:XXX	FULL SIZE ONLY
DWG NO.	TITLE	NO. DATE	ISSUED FOR	REV. DATE

		<b>GENERATOR ROOM VENTILATION SYSTEM CONTROL DRAWING</b>	
CONTRACT NO.	DWG. NO.	REV.	SHEET
XX-200X-EN-XXX	M-701	0	0