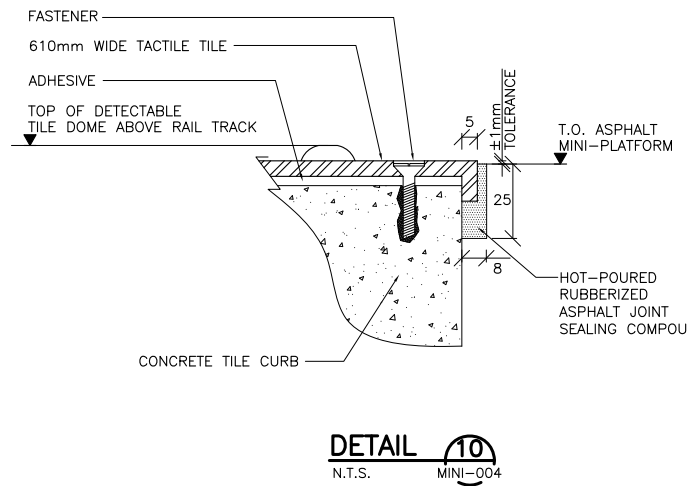
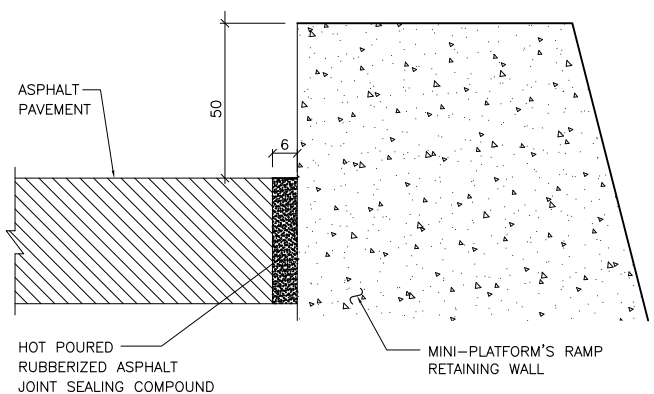
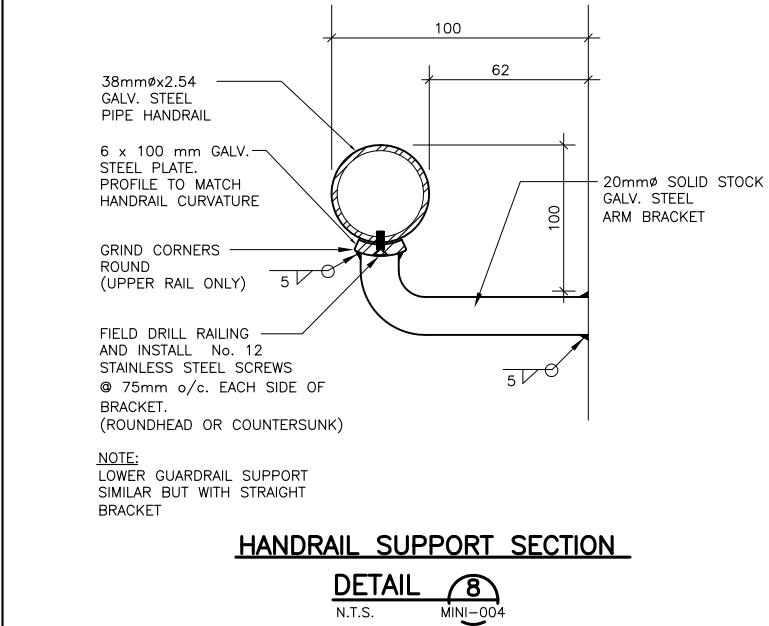
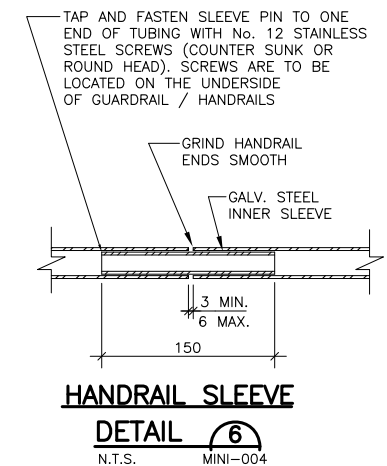
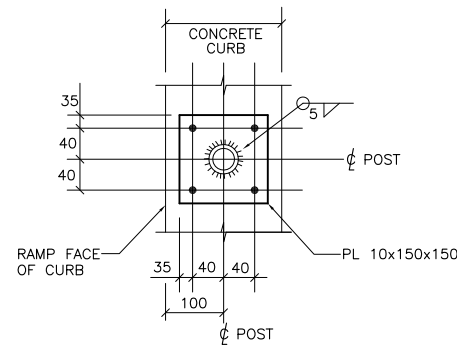
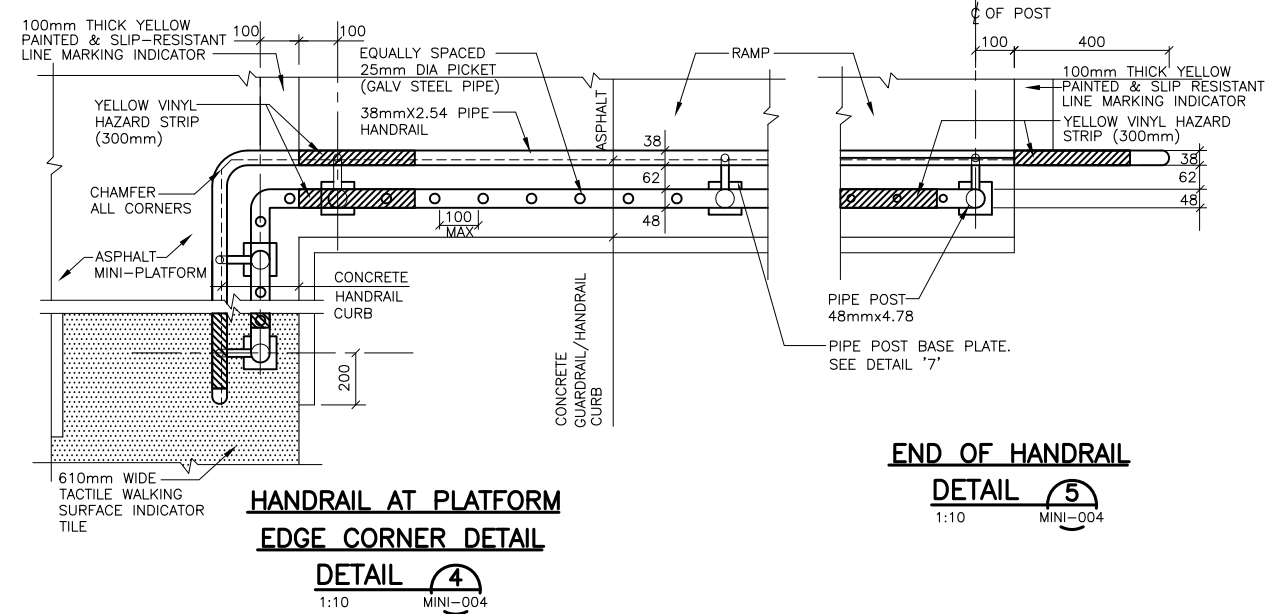
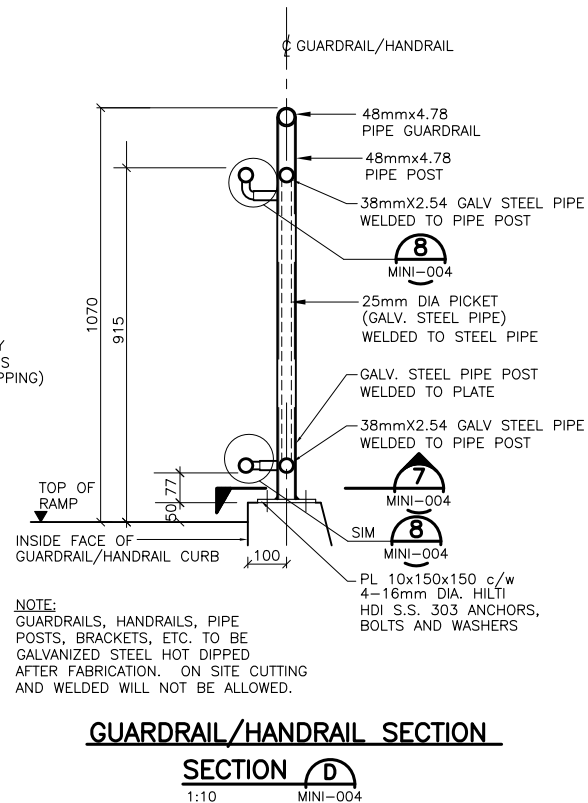
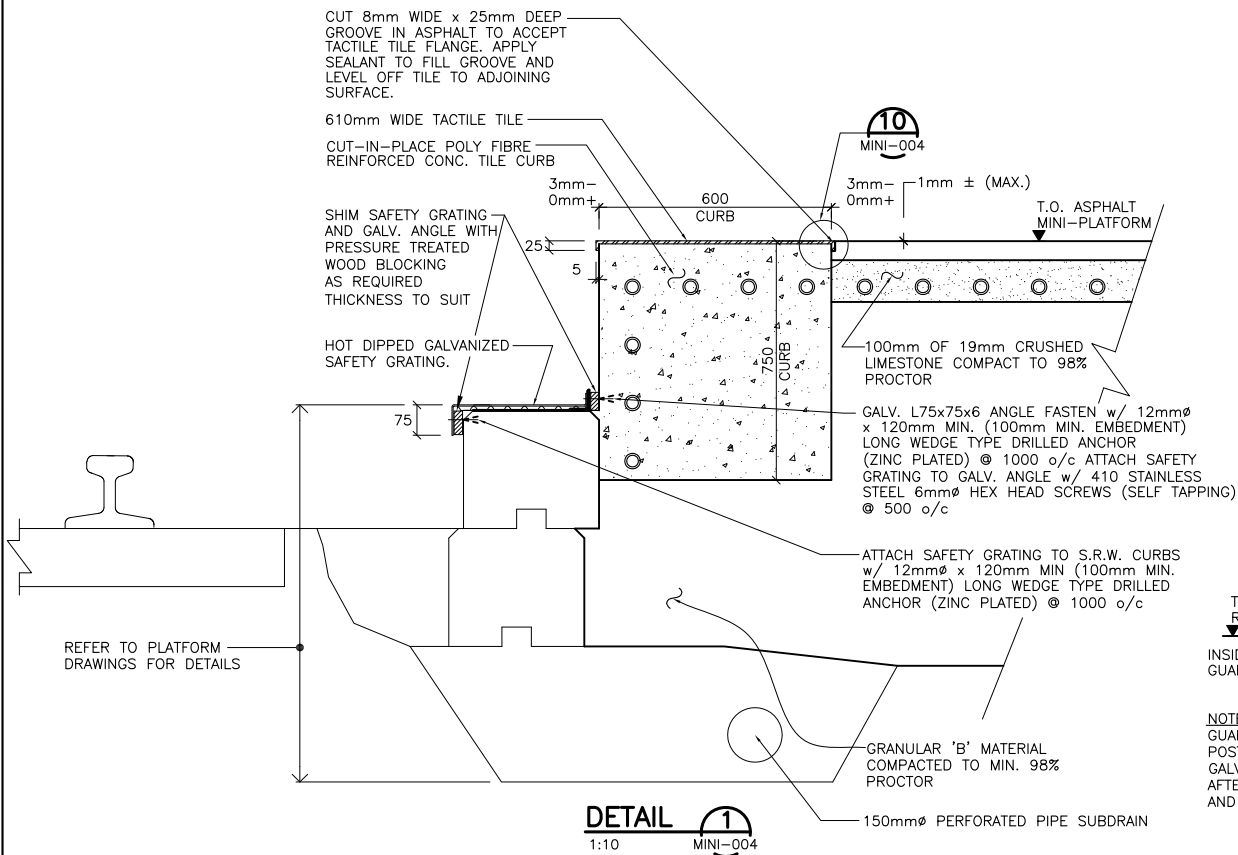


ALL DIMENSIONS SHOWN ARE IN METRES AND/OR MILLIMETRES UNLESS OTHERWISE NOTED.



NOTE: THIS DRAWING IS PROVIDED FOR INSTRUCTIONAL DESIGN PURPOSES ONLY BASED ON METROLINX GO TRANSIT DESIGN GUIDELINES AND REQUIREMENTS. THE CONSULTANT SHALL VERIFY FOR LOCAL CODE COMPLIANCE, EXISTING SITE CONDITIONS AND INTER DISCIPLINARY DRAWING COORDINATION. ALL DIMENSIONS AND SPECIFICATIONS SHOULD BE VERIFIED BY CONSULTANT AND/OR CONTRACTOR BEFORE ACTUAL CONSTRUCTION BEGINS

METROLINX PROJECT NO.

DWG NO.	TITLE	REV.	DATE	ISSUED FOR	REV.	DATE	SCALE	AS SHOWN
					3	12/03/18	REVISED FOR SAFETY AND O.B.C.	
					2	12/20/13	DISCLAIMER NOTE	
					1	07/01/12	REVISED - NOMENCLATURE	

DRAWN BY: CT 08/03/10	DESIGNED BY: YY/MM/DD		<b>MINI PLATFORM DETAILS</b>		
CHECKED BY: YY/MM/DD	APPROVED BY: YY/MM/DD				
SCALE: FULL SIZE ONLY		CONTRACT NO.	DWG. NO. MINI-004	REV. 3	SHEET