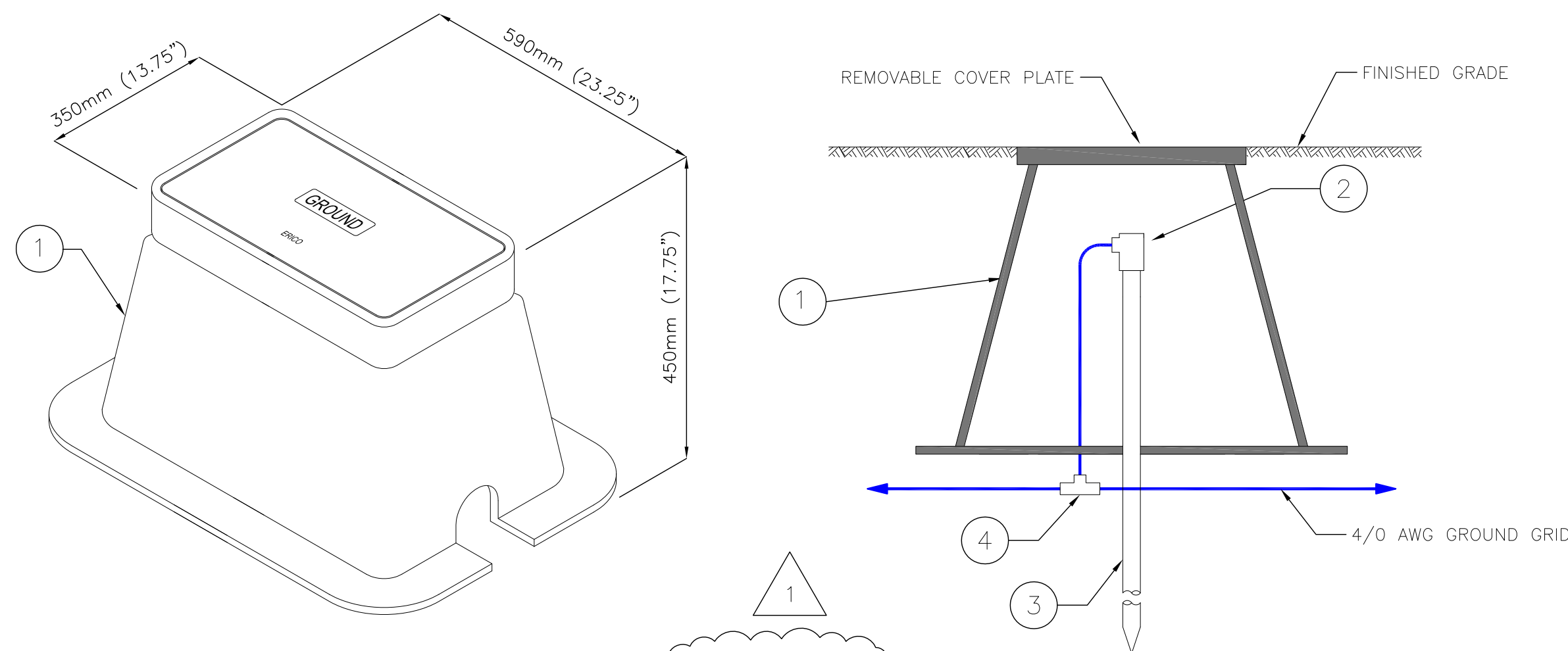


NOTES:

- ENCLOSURES AND COVERS ARE RATED TO 4536Kg (10,000lbs) MAXIMUM LOAD.
- ENCLOSURES ARE PROVIDED WITH BOLT DOWN COVERS THE ENCLOSURES ARE NOT LOCKABLE BUT REQUIRE HAND TOOLS TO BE OPENED.

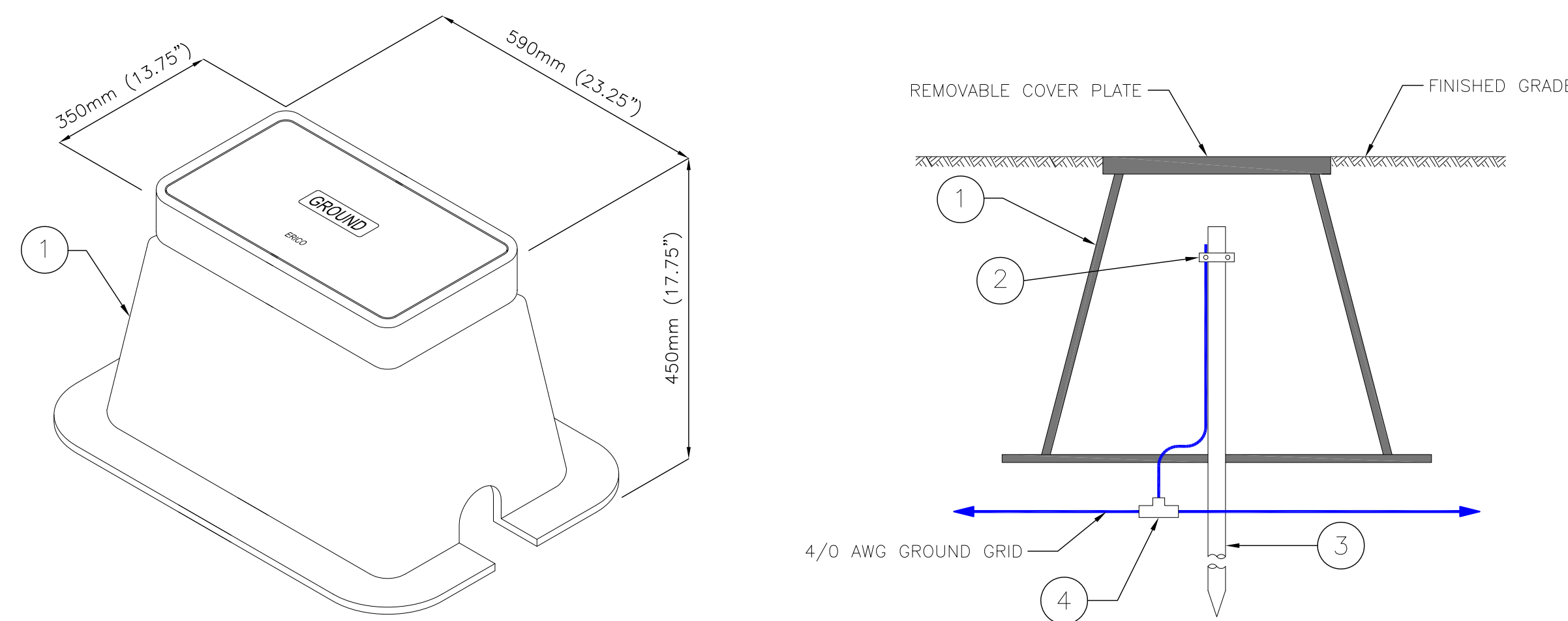


DETAIL 1 - GROUNDING TESTING WELL ASSEMBLY WITH EXOTHERMIC CONNECTION

ITEM	QTY	UNIT	MATERIAL DESCRIPTION	MANUFACTURER & CAT. NO.
1	1	EA	POLYMER CONCRETE INSPECTION WELL C/W COVER	ERICO: T476A OR EQUIVALENT
2	1	EA	HORIZONTAL GROUND WIRE TO GROUND ROD EXOTHERMIC CONNECTION	BURNDY: B-518 OR EQUIVALENT
3	2	EA	COPPER CLAD STEEL GROUND ROD 3M X 20MM (10' X 3/4")	(GENERIC)
4	1	EA	HORIZONTAL WIRE TAP TO HORIZONTAL WIRE RUN	BURNDY: B-241 OR EQUIVALENT

NOTES:

- ENCLOSURES AND COVERS ARE RATED TO 4536Kg (10,000lbs) MAXIMUM LOAD.
- ENCLOSURES ARE PROVIDED WITH BOLT DOWN COVERS THE ENCLOSURES ARE NOT LOCKABLE BUT REQUIRE HAND TOOLS TO BE OPENED.

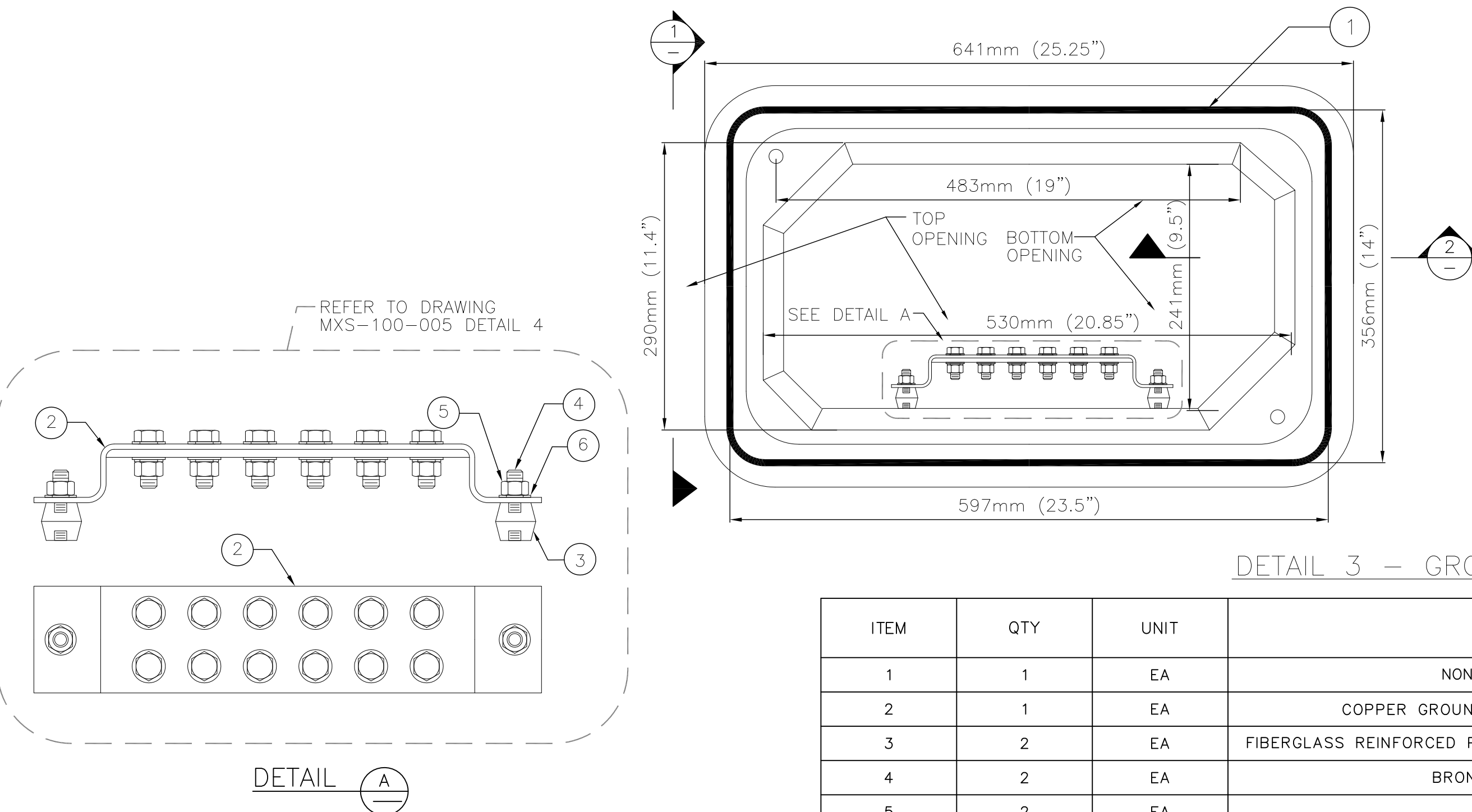


DETAIL 2 - GROUNDING TESTING WELL ASSEMBLY WITH COMPRESSION CONNECTION

ITEM	QTY	UNIT	MATERIAL DESCRIPTION	MANUFACTURER & CAT. NO.
1	1	EA	POLYMER CONCRETE INSPECTION WELL C/W COVER	ERICO: T476A OR EQUIVALENT
2	1	EA	COMPRESSION TYPE CONNECTOR	BURNDY: GK6429 OR EQUIVALENT
3	2	EA	COPPER CLAD STEEL GROUND ROD 3M X 20MM (10' X 3/4")	(GENERIC)
4	1	EA	HORIZONTAL WIRE TAP TO HORIZONTAL WIRE RUN	BURNDY: B-241 OR EQUIVALENT

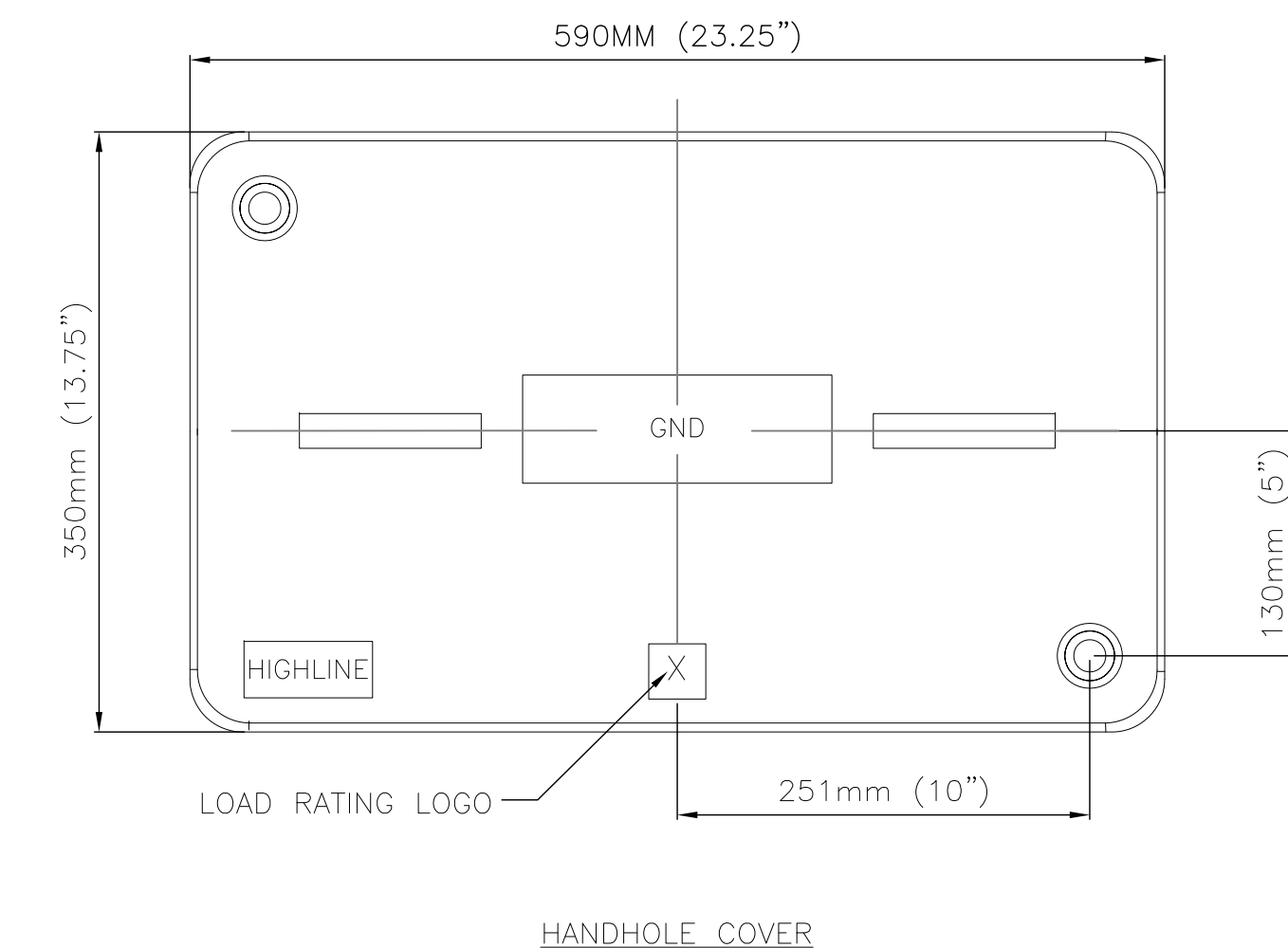
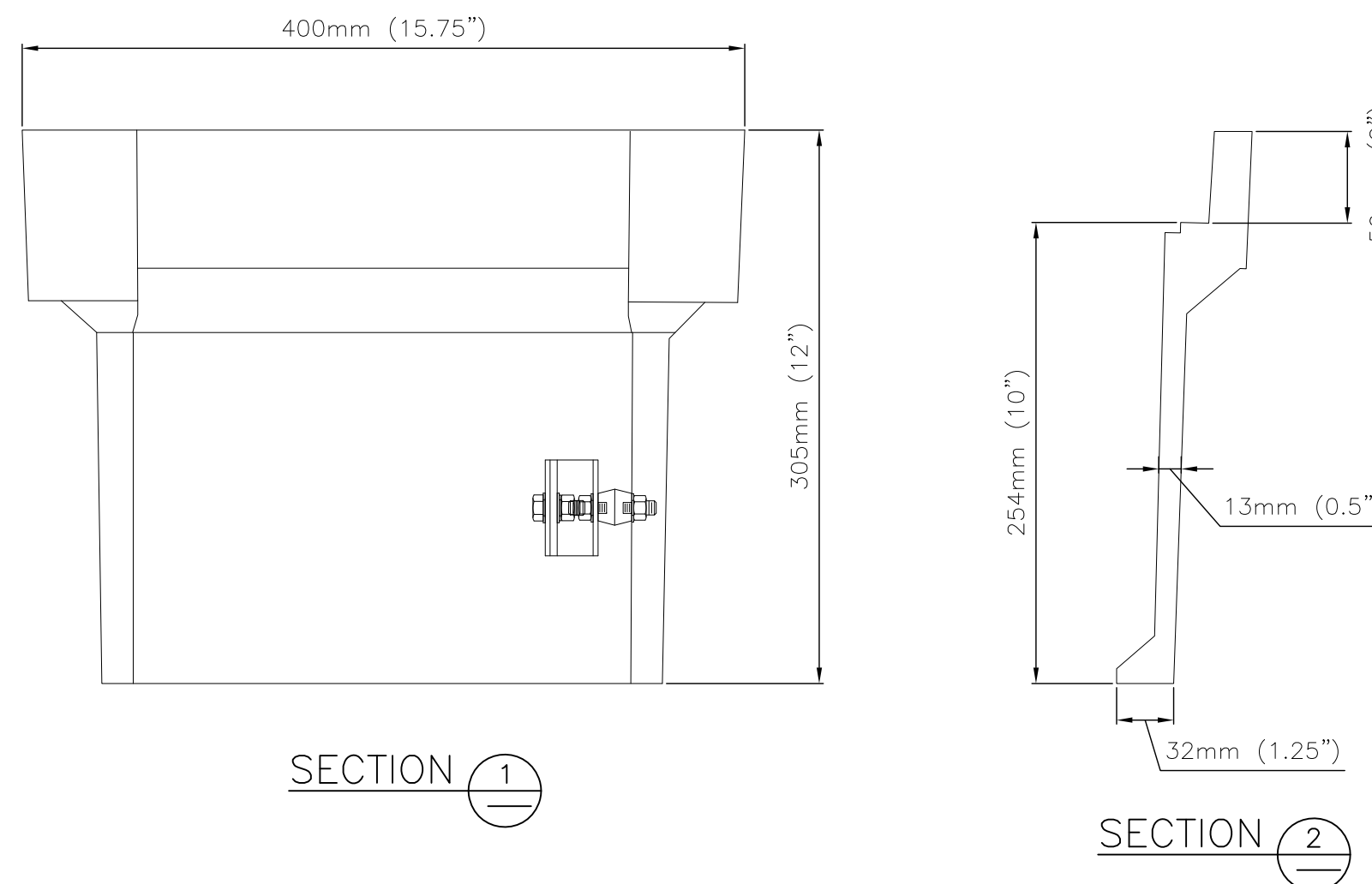
NOTES:

- ENCLOSURES AND COVERS ARE RATED TO 5443Kg (12,000lbs) MAXIMUM LOAD.
- ENCLOSURES ARE PROVIDED WITH BOLT DOWN COVERS THE ENCLOSURES ARE NOT LOCKABLE BUT REQUIRE HAND TOOLS TO BE OPENED.



DETAIL 3 - GROUNDING HANDHOLE ASSEMBLY

ITEM	QTY	UNIT	MATERIAL DESCRIPTION	MANUFACTURER & CAT. NO.
1	1	EA	NON-METALLIC HANDHOLE ASSEMBLY C/W COVER	HIGHLINE: PHA132412 OR EQUIVALENT
2	1	EA	COPPER GROUND BUS 6mm x 50mm x 300mm (1/4" x 2" x 12") MIN	(GENERIC)
3	2	EA	FIBERGLASS REINFORCED POLYESTER INSULATOR W/12mm (1/2") - 13 THREADED HOLES	ERICO: 559686 OR EQUIVALENT
4	2	EA	BRONZE BOLT 12MM - 13x25mm (1/2" - 13x1")	(GENERIC)
5	2	EA	LOCK WASHER, BRONZE, 1/2"	
6	2	EA	INSULATED WASHER, 1/2"	



NOTE: THIS DRAWING IS PROVIDED FOR INSTRUCTIONAL DESIGN PURPOSES ONLY BASED ON METROLINX GO TRANSIT DESIGN GUIDELINES AND REQUIREMENTS. THE CONSULTANT SHALL VERIFY FOR LOCAL CODE COMPLIANCE, EXISTING SITE CONDITIONS AND INTER DISCIPLINARY DRAWING COORDINATION. ALL DIMENSIONS AND SPECIFICATIONS SHOULD BE VERIFIED BY CONSULTANT AND/OR CONTRACTOR BEFORE ACTUAL CONSTRUCTION BEGINS.

PLOTTED BY: PAULRI PLOTTED DATE: 2015/04/15 PAPER SIZE AT FULL: ANSI D (22.00 x 34.00 INCHES) FILE: \\FILE-RGDC01\DEPT\GOIC\07 PROGRAM MANAGEMENT & STANDARDS\PMPS DESIGN STANDARDS\TRACTION ELECTRIFICATION\GROUNDING AND BONDING STANDARD DRAWINGS\MXS-100-004 REV.1.DWG

DWG NO.	TITLE	NO.	DATE	ISSUED FOR	REV.	DATE	REVISED DETAIL 1 TITLE
		3	15/04/06	FINAL DESIGN			
		2	15/03/06	100% DESIGN			
		1	15/02/09	90% DESIGN			
		0	15/01/16	60% DESIGN			
					1	15/04/XX	REVISED DETAIL 1 TITLE

DRAWN BY: RCW 14/12/11	DESIGNED BY: SXF 14/12/11
CHECKED BY: CTG 15/01/16	APPROVED BY: ZBT 15/01/16
SCALE: NTS FULL SIZE ONLY	

**PARSONS
BRINCKERHOFF**

METROLINX

TRACTION ELECTRIFICATION
GROUNDING AND BONDING
STANDARD INSTALLATION DESIGN DETAILS
GROUNDING ENCLOSURE ASSEMBLIES

CONTRACT NO. RQQ-2011-PP-032	DWG. NO. MXS-100-004	REV. 1	SHEET 7/26
---------------------------------	-------------------------	-----------	---------------