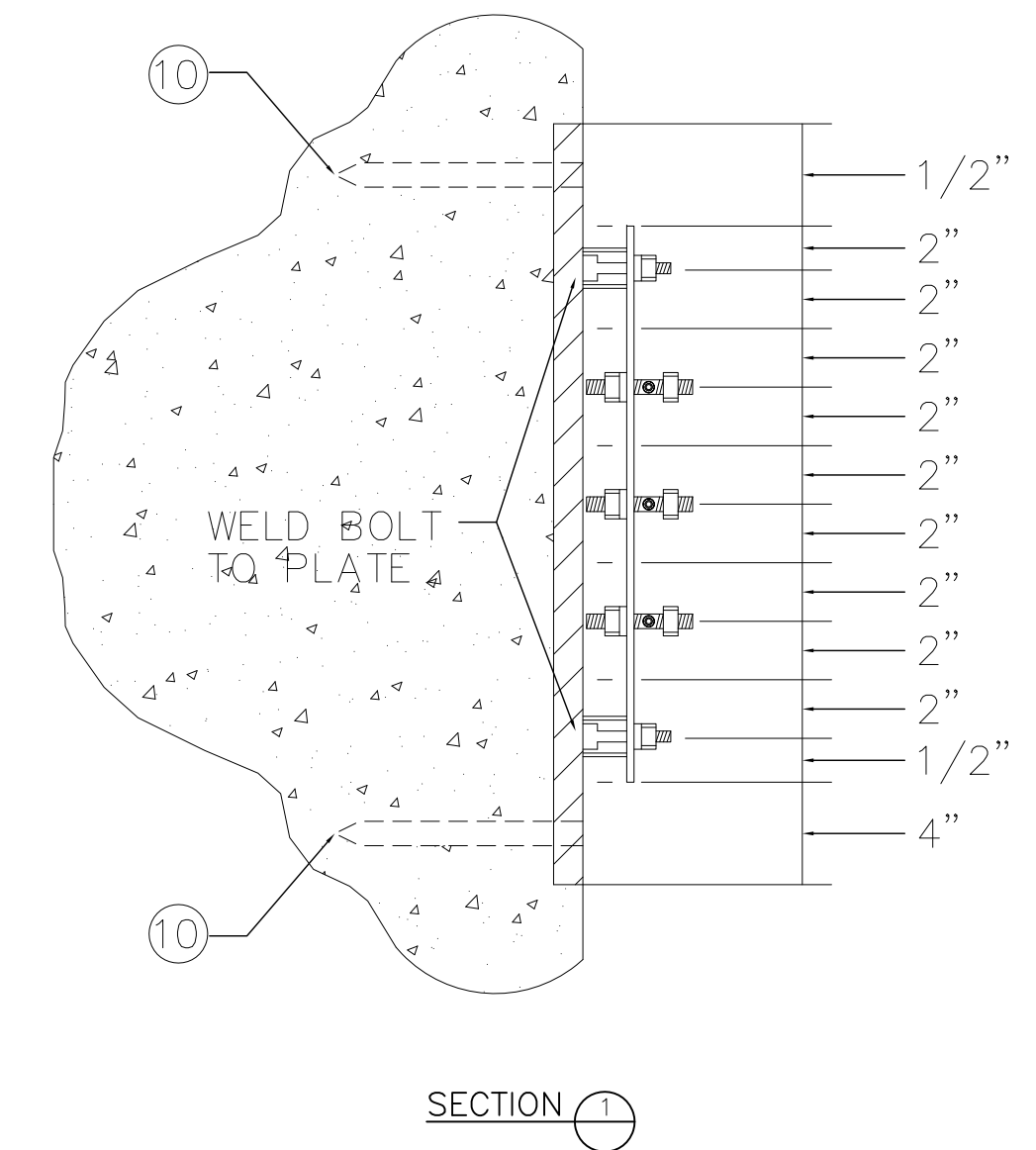
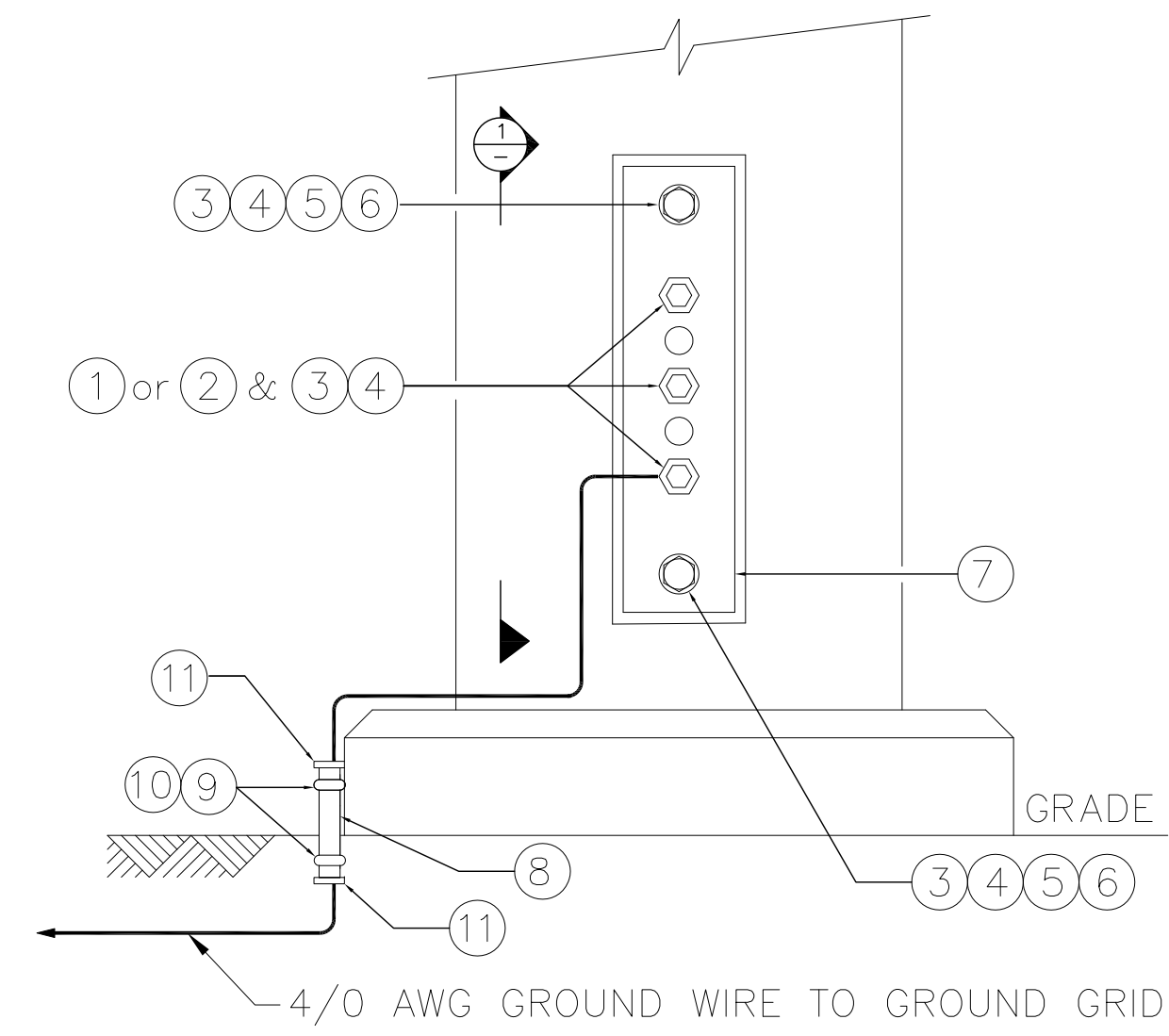
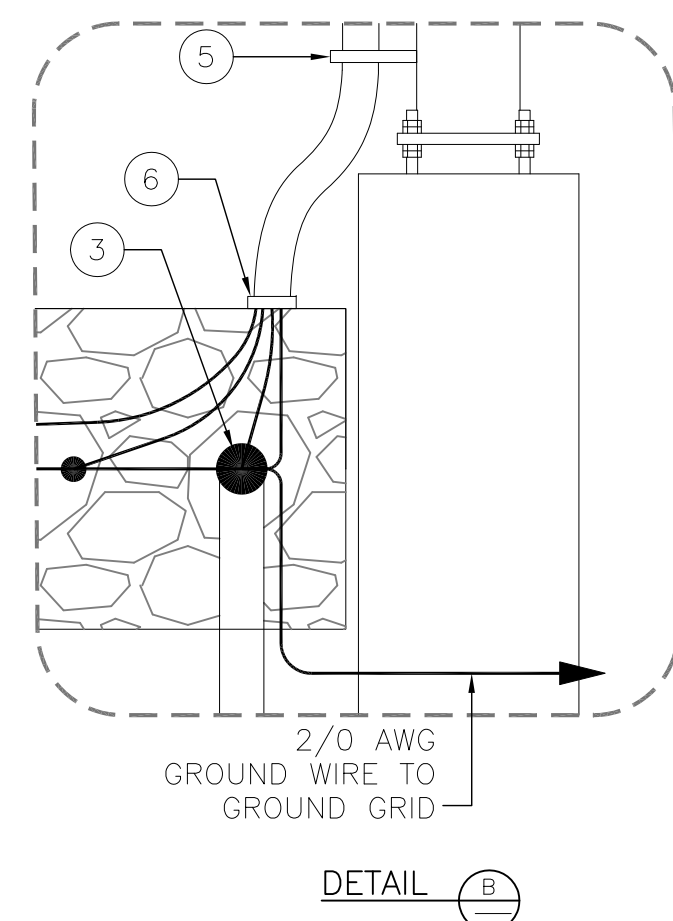
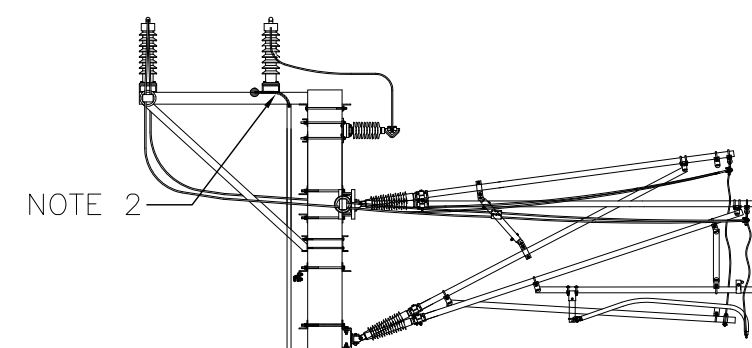
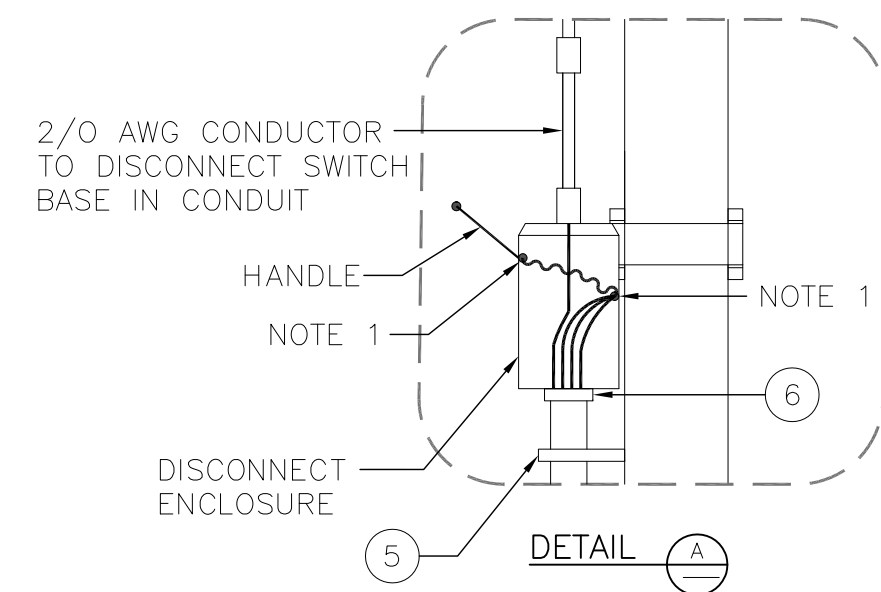
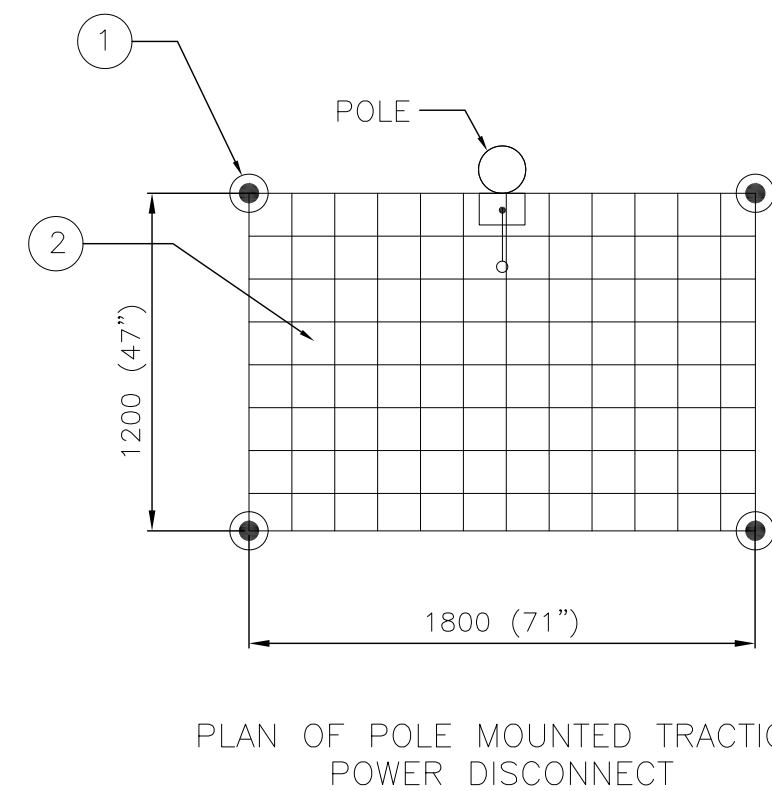


NOTES:

1. TERMINATE GROUND WIRES TO HANDLE AND ENCLOSURE PER MANUFACTURERS SPECIFICATION.
2. 2/0 GROUND WIRE TO DISCONNECT SWITCH DIRECT FROM GROUND ROD.

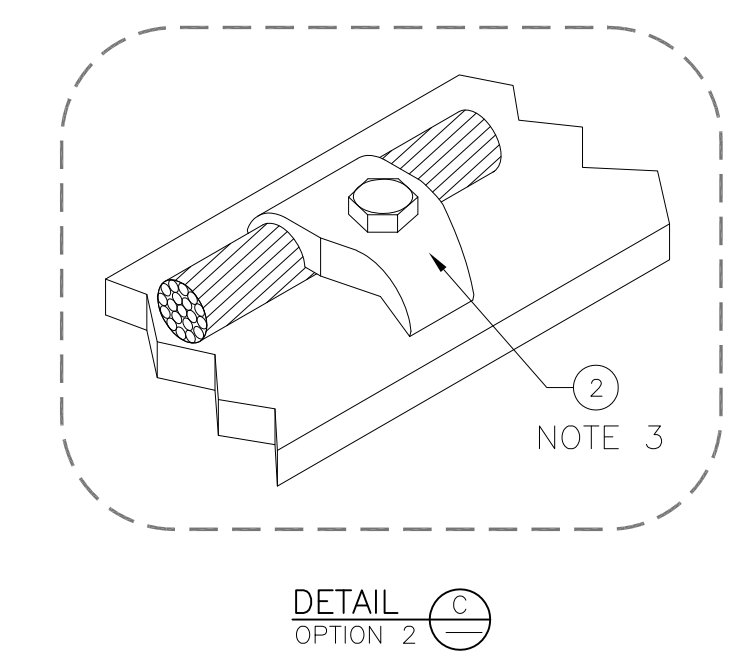
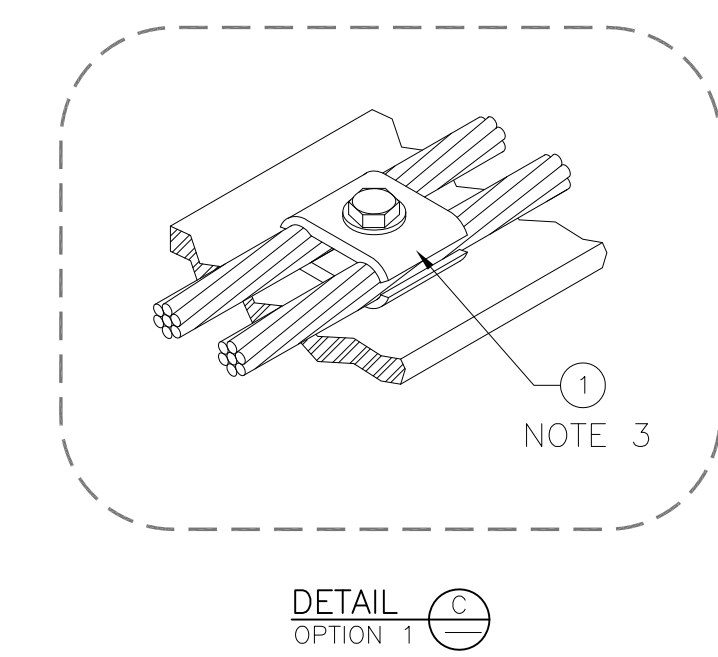
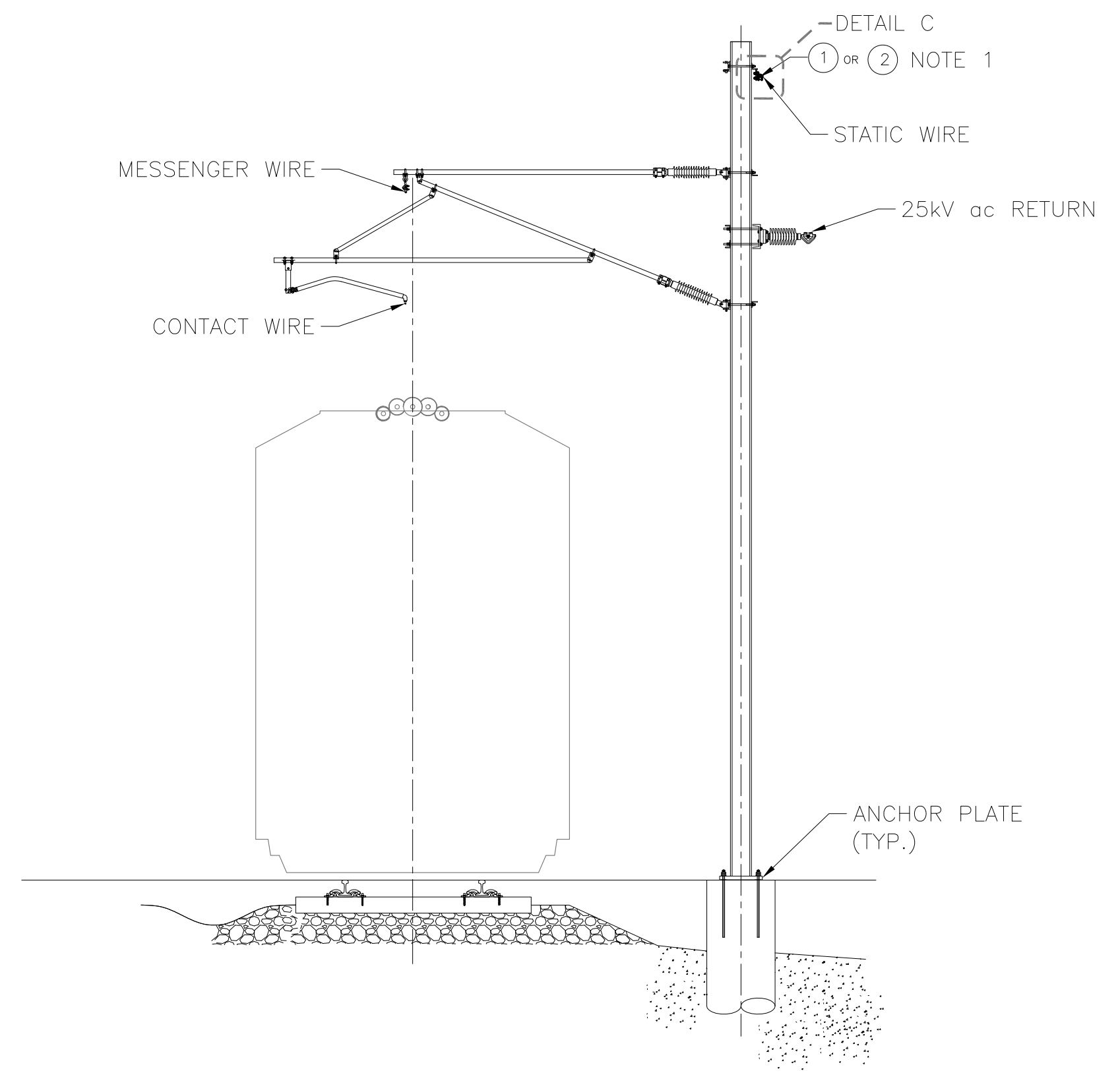


DETAIL 2 – COPPER BAR MOUNTED ON CONCRETE COLUMN

ITEM	QTY	UNIT	MATERIAL DESCRIPTION	MANUFACTURER & CAT. NO.
1	3	EA	SERVIT CONN. (2x#2-2/0)	BURNDY: K2C26B1 OR EQUIVALENT
2	3	EA	SERVIT CONN. (2X#1-4/0)	BURNDY: K2C28B1 OR EQUIVALENT
3	5	EA	LOCK WASHER, 1/2" CADMIUM	(GENERIC)
4	5	EA	NUT HEX, 1/2" x 13 CADMIUM	
5	2	EA	BOLT, MACH, 1/2- 13x3" LONG C/W NUT	ERICO: 559686 OR EQUIVALENT
6	2	EA	FIBERGLASS REINFORCED POLYESTER INSULATOR W/12mm (1/2") - 13 THREADED HOLES	
7	1	EA	COPPER GROUND BUS 6mm x 50mm x 425mm (1/2" x 2" x 17") MIN	(GENERIC)
8	PER DESIGN	FEET	27mm CONDUIT	
9	2	EA	27mm CONDUIT CLAMP	HILTI: KB3 1/4" X 2-1/4" OR EQUIVALENT
10	2	EA	ANCHOR, SS 304	
11	2	EA	BUSHING	(GENERIC)

NOTES:

1. NOT APPLICABLE IN STATION.
2. IN A PASSENGER STATION THE STATIC WIRE IS INSULATED FROM THE OCS POLES AND THE STATION EQUIPMENT IS GROUNDED VIA THE STATION GROUND GRID. OUTSIDE OF A STATION, THE STATIC WIRE IS ELECTRICALLY CONNECTED TO THE OCS POLES AND IS USED FOR GROUNDING, AS SHOWN BELOW.
3. REFERENCE G&B HARDWARE PROVIDED. OCS DESIGNER SHALL PROVIDE/CONFIRM STATIC WIRE CONNECTION DETAIL.



DETAIL 3 – CONNECTION TO STATIC WIRE

NOTE: THIS DRAWING IS PROVIDED FOR INSTRUCTIONAL DESIGN PURPOSES ONLY BASED ON METROLINX GO TRANSIT DESIGN GUIDELINES AND REQUIREMENTS. THE CONSULTANT SHALL VERIFY FOR LOCAL CODE COMPLIANCE, EXISTING SITE CONDITIONS AND INTER DISCIPLINARY DRAWING COORDINATION. ALL DIMENSIONS AND SPECIFICATIONS SHOULD BE VERIFIED BY CONSULTANT AND/OR CONTRACTOR BEFORE ACTUAL CONSTRUCTION BEGINS.

ITEM	QTY	UNIT	MATERIAL DESCRIPTION	MANUFACTURER & CAT. NO.
1	1	EA	GROUND CONNECTOR FOR COPPER CABLE	BURNDY: GBL30 OR EQUIVALENT
2	1	EA	GROUND CONNECTOR FOR TWO COPPER CABLE	BURNDY: GL2929 OR EQUIVALENT

DETAIL 1 – POLE MOUNTED TRACTION POWER DISCONNECT

ITEM	QTY	UNIT	MATERIAL DESCRIPTION	MANUFACTURER & CAT. NO.
1	4	EA	COPPER CLAD STEEL GROUND ROD 3M X 20MM (10' X 3/4")	(GENERIC)
2	1	EA	CU GROUND MESH, 4' X 6', 6" , #6 AWG	BURNDY: BGM640066 OR EQUIVALENT
3	1	EA	CABLE TERMINAL TO GROUND ROD	BURNDY: B-2566 OR EQUIVALENT
4	PER DESIGN	N/A	51mm FLEXIBLE CONDUIT	(GENERIC)
5	2	EA	51mm CONDUIT CLAMP	T&B: 1281 OR EQUIVALENT
6	2	EA	BUSHING	(GENERIC)

PLOTTED BY: PAULRI PLOTTED DATE: 2015/04/01 PAPER SIZE AT FULL: ANSI D (22.00 x 34.00 INCHES) FILE: \\FILE-RGDC01\DEPT\PROGRAM MANAGEMENT & STANDARD\SPMPS DESIGN STANDARDS\G&B\ELECTRIFICATION\GROUNDING AND BONDING STANDARD DRAWINGS\MXS-200-001.DWG

NO.	DATE	ISSUED FOR	REV.	DATE
3	15/04/06	FINAL DESIGN		
2	15/03/06	100% DESIGN		
1	15/02/09	90% DESIGN		
0	15/01/16	60% DESIGN		

REFERENCE DRAWINGS	ISSUE	REVISIONS

DRAWN BY: RCW 14/12/11
 DESIGNED BY: SXF 14/12/11
 CHECKED BY: CTG 15/01/16
 APPROVED BY: ZBT 15/01/16
 SCALE: NTS FULL SIZE ONLY



TRACTION ELECTRIFICATION GROUNDING AND BONDING STANDARD INSTALLATION DESIGN DETAILS OCS POLES AND COLUMNS			
CONTRACT NO. RQQ-2011-PP-032	DWG. NO. MXS-200-001	REV. 0	SHEET 9/26