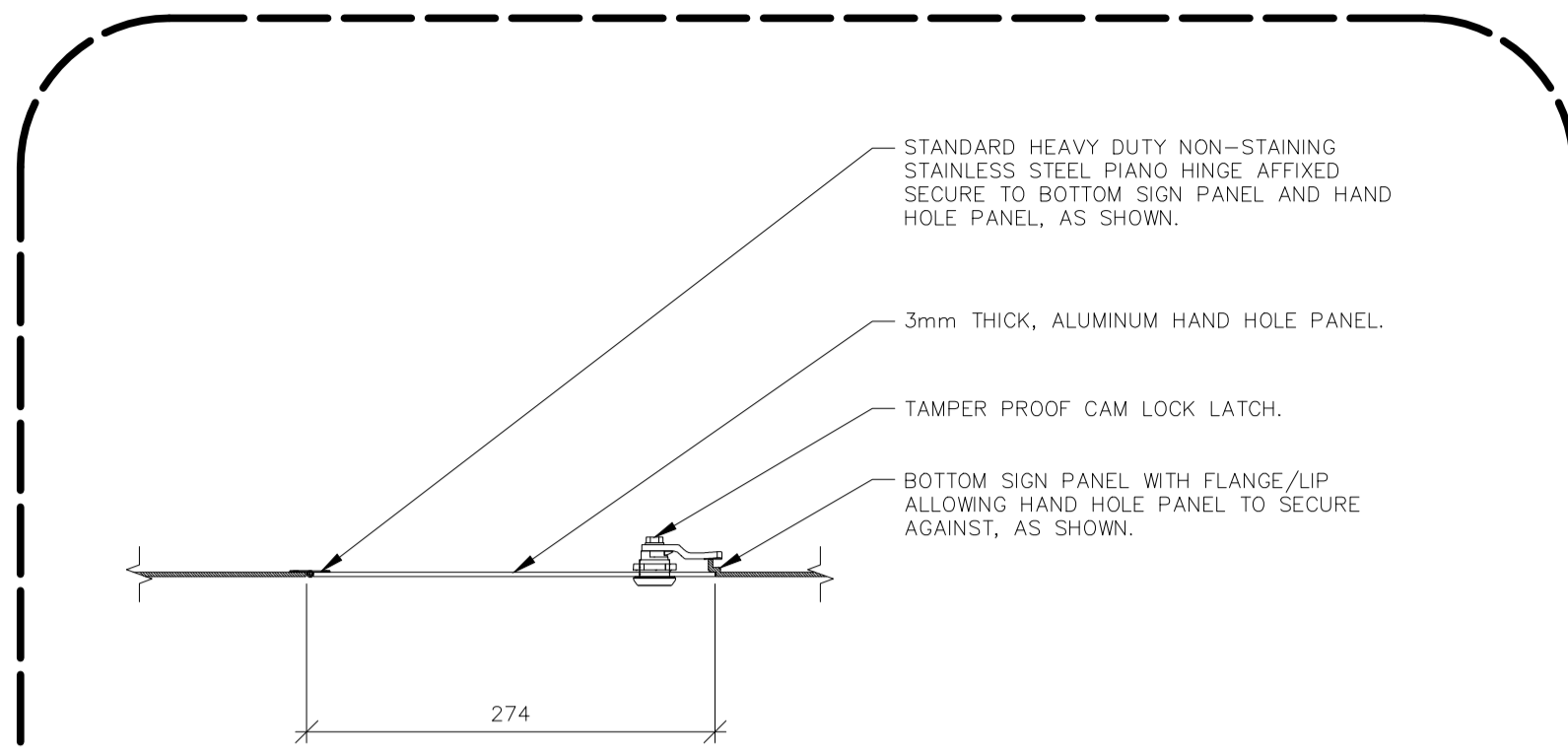
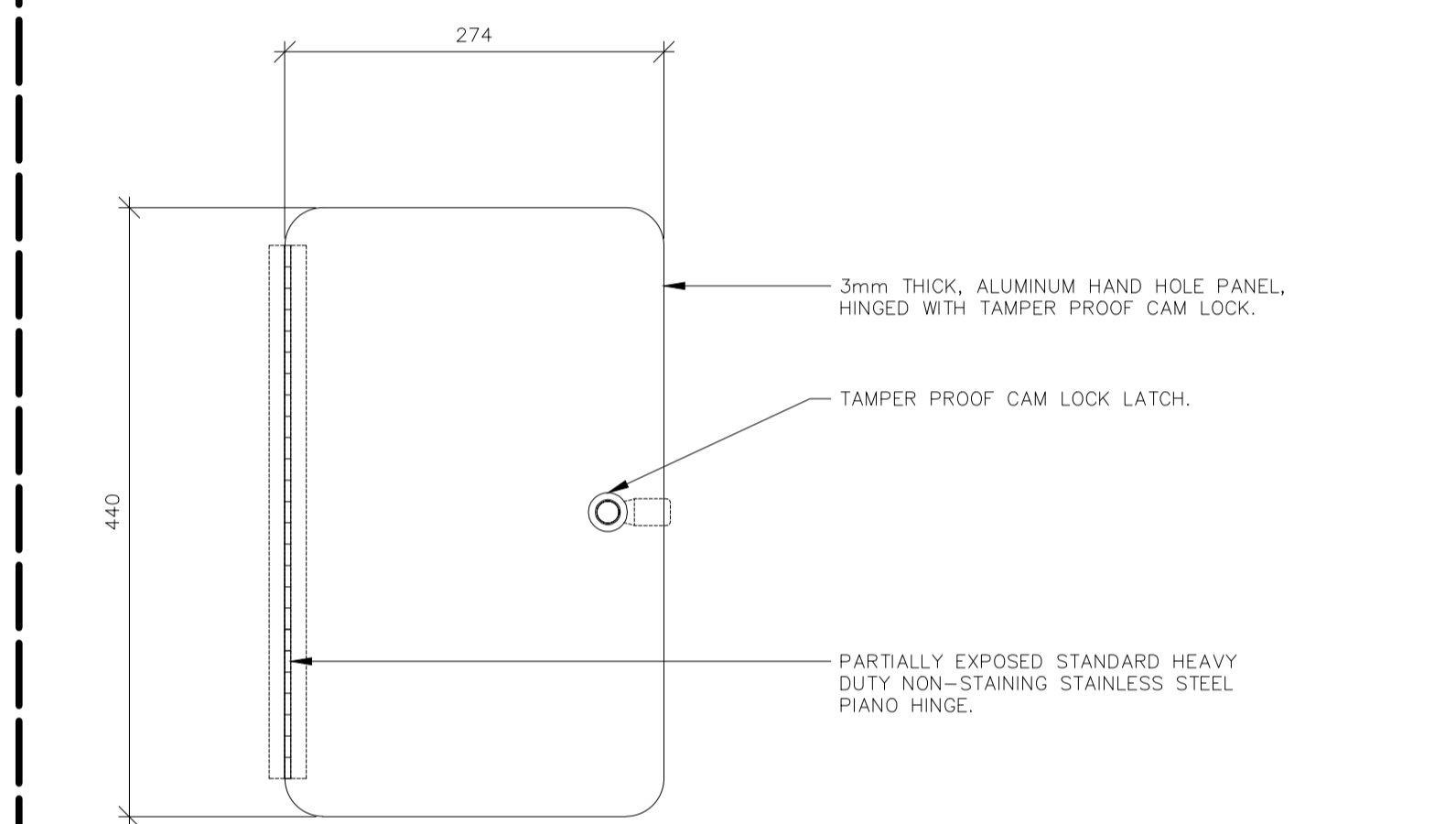


METRIC

ALL DIMENSIONS SHOWN ARE IN METRES AND/OR MILLIMETRES UNLESS OTHERWISE NOTED.

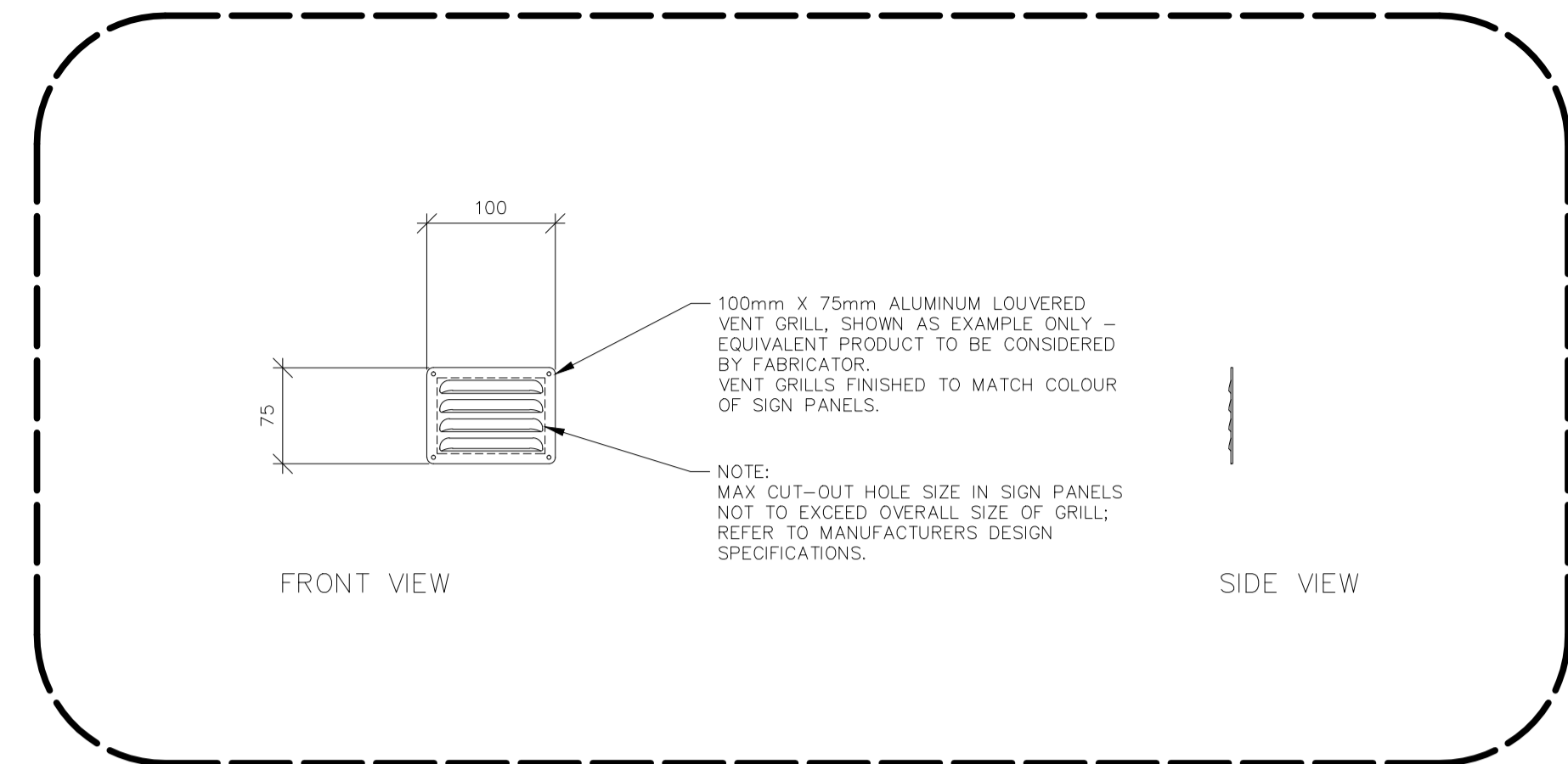


TYPICAL TOP VIEW / SECTION THRU HAND HOLE PANEL

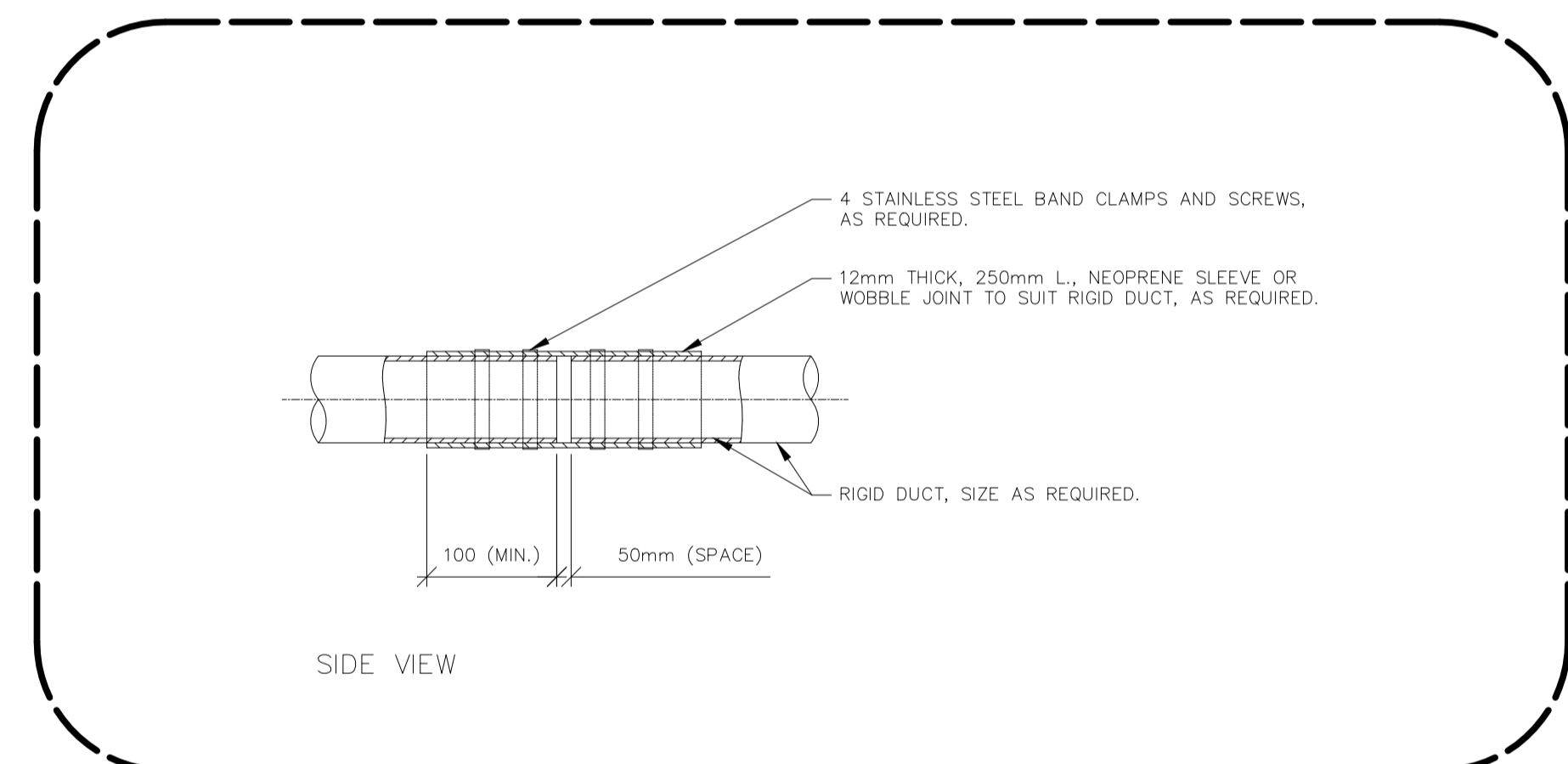


FRONT VIEW

6 HAND HOLE DETAILS
Scale: 1:5



7 VENTILATION GRILL DETAILS
Scale: 1:5

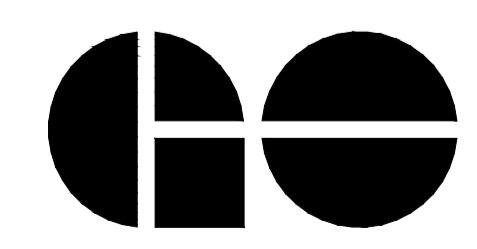


8 WOBBLE JOINT DETAILS
Scale: NTS

METROLINX PROJECT NO. XXXXXX

REFERENCE DRAWINGS		ISSUE		REVISIONS	
DWG NO.	TITLE	NO.	DATE	ISSUED FOR	REV. DATE

DRAWN BY: X.X.X. YY/MM/DD	DESIGNED BY: YY/MM/DD
CHECKED BY: YY/MM/DD	APPROVED BY: YY/MM/DD
SCALE: SHOWN	FULL SIZE ONLY



XXXXXXXXX STATION
GO ID. SIGNAGE
TYPE-1 SIGNS

CONTRACT NO. XX-200X-EN-XXX	DWG. NO. T1-004	REV. -	SHEET 4
--------------------------------	--------------------	-----------	------------