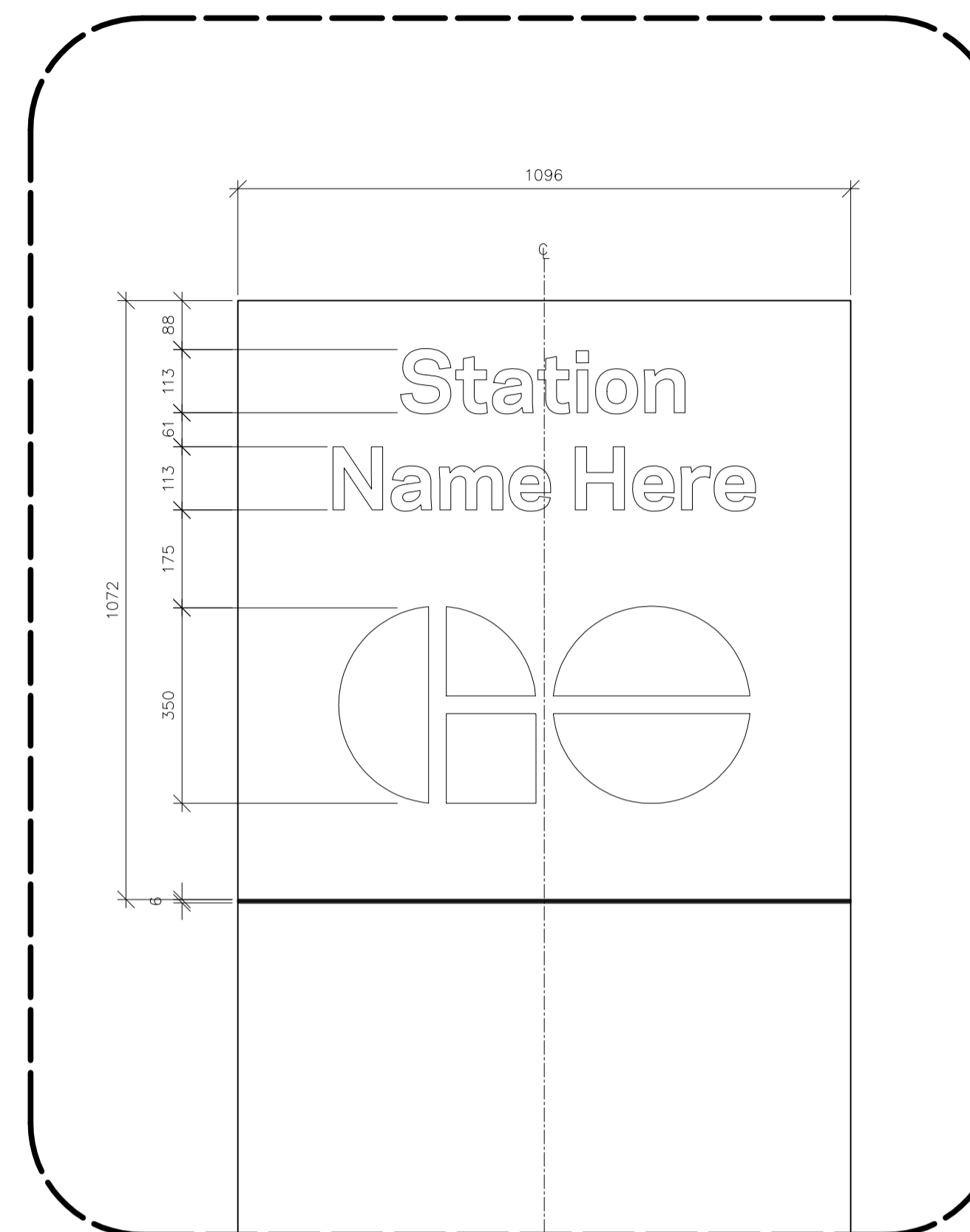
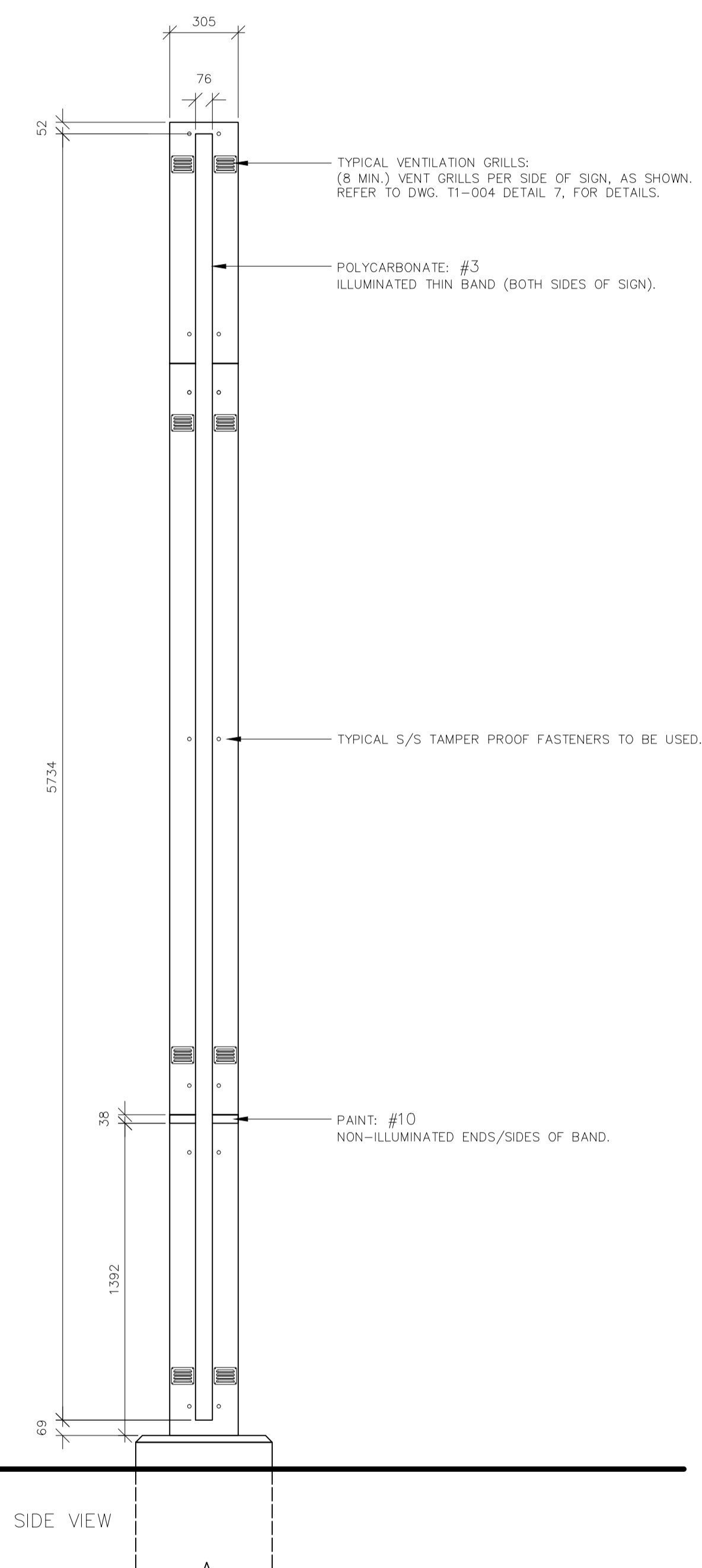
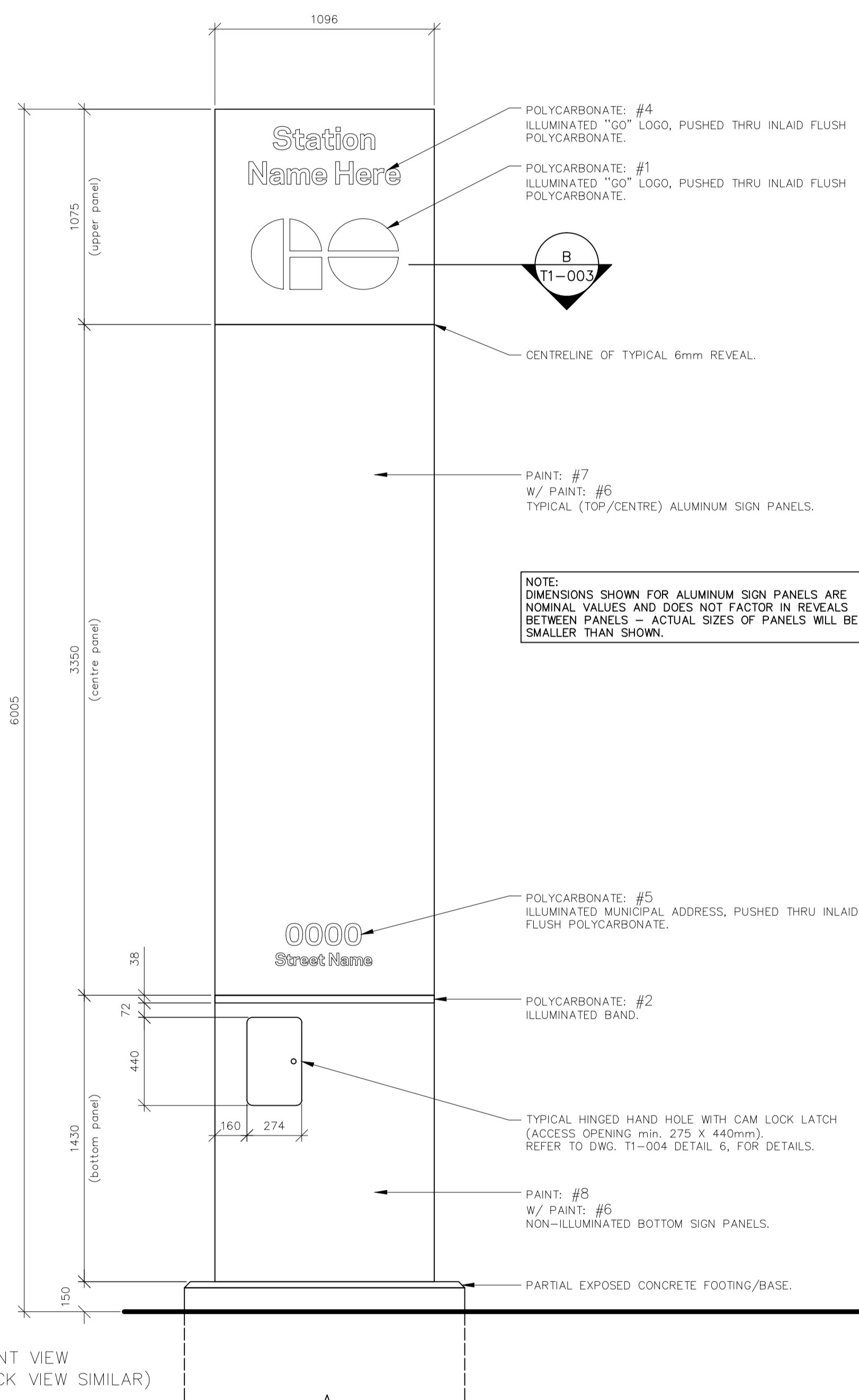
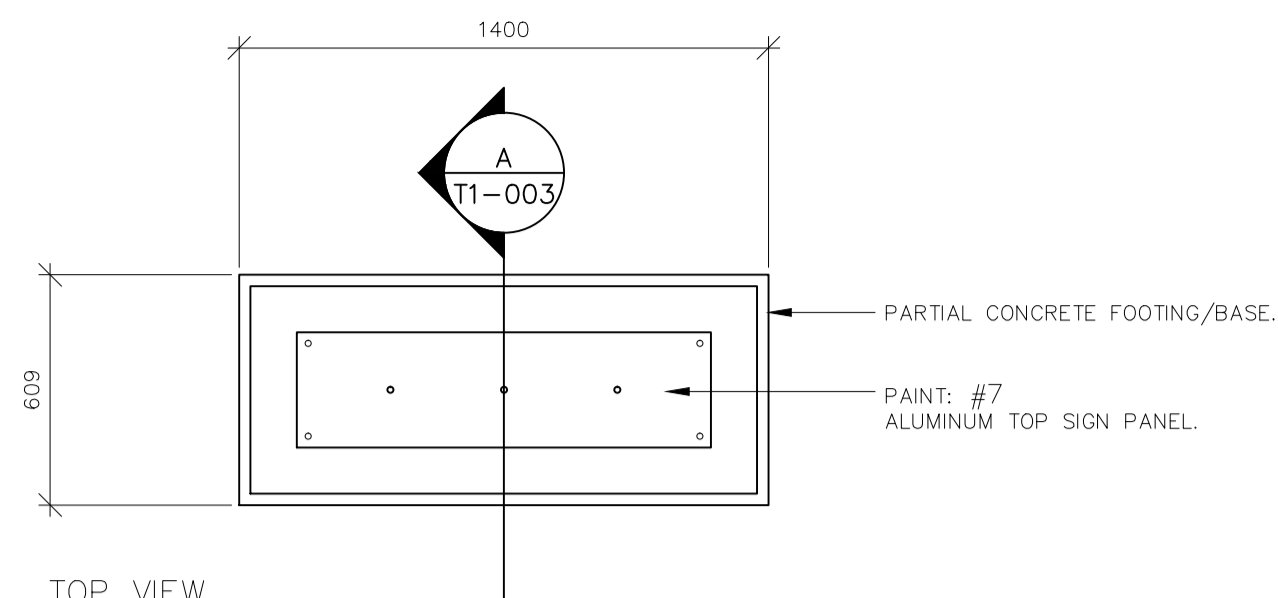
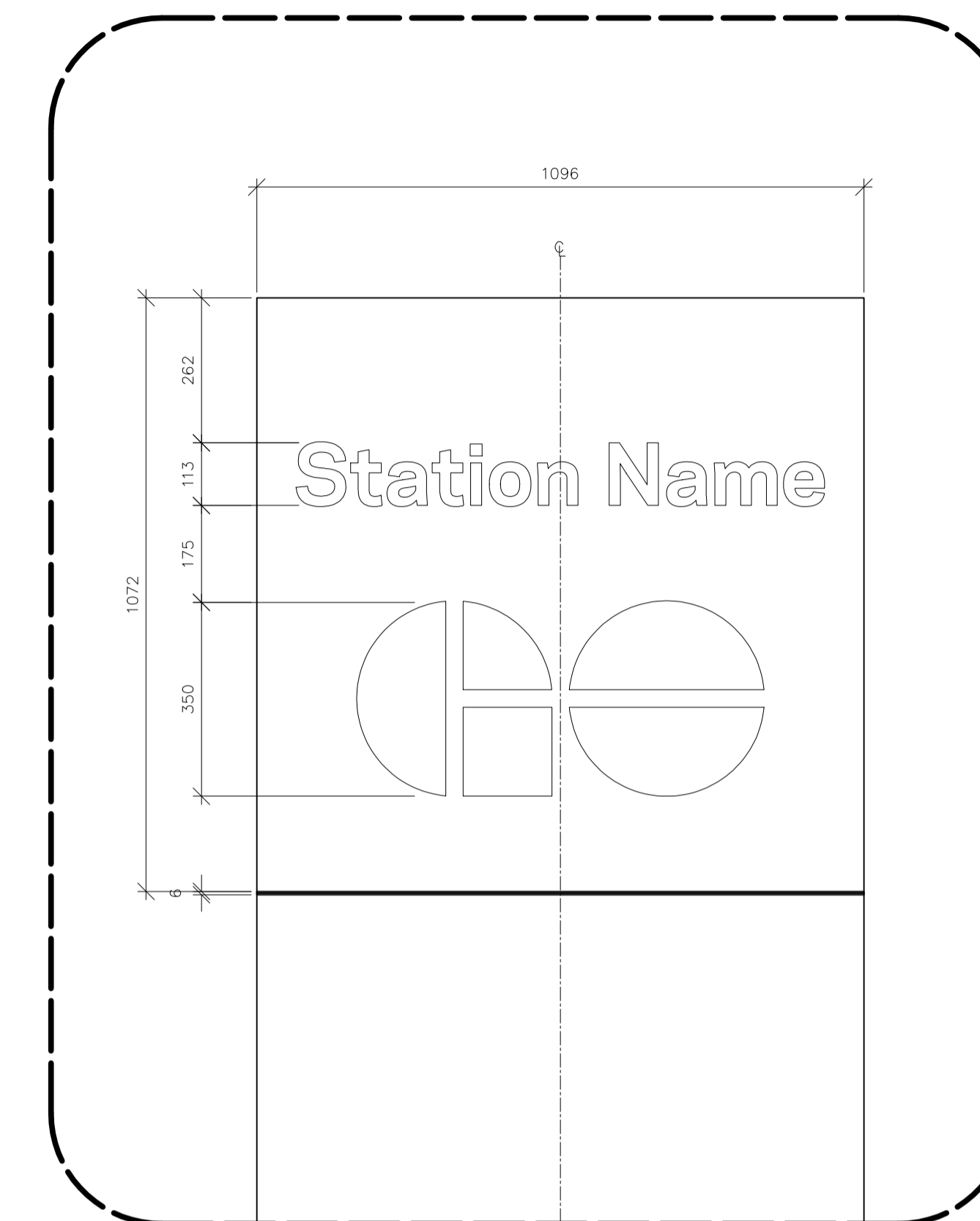


METRIC

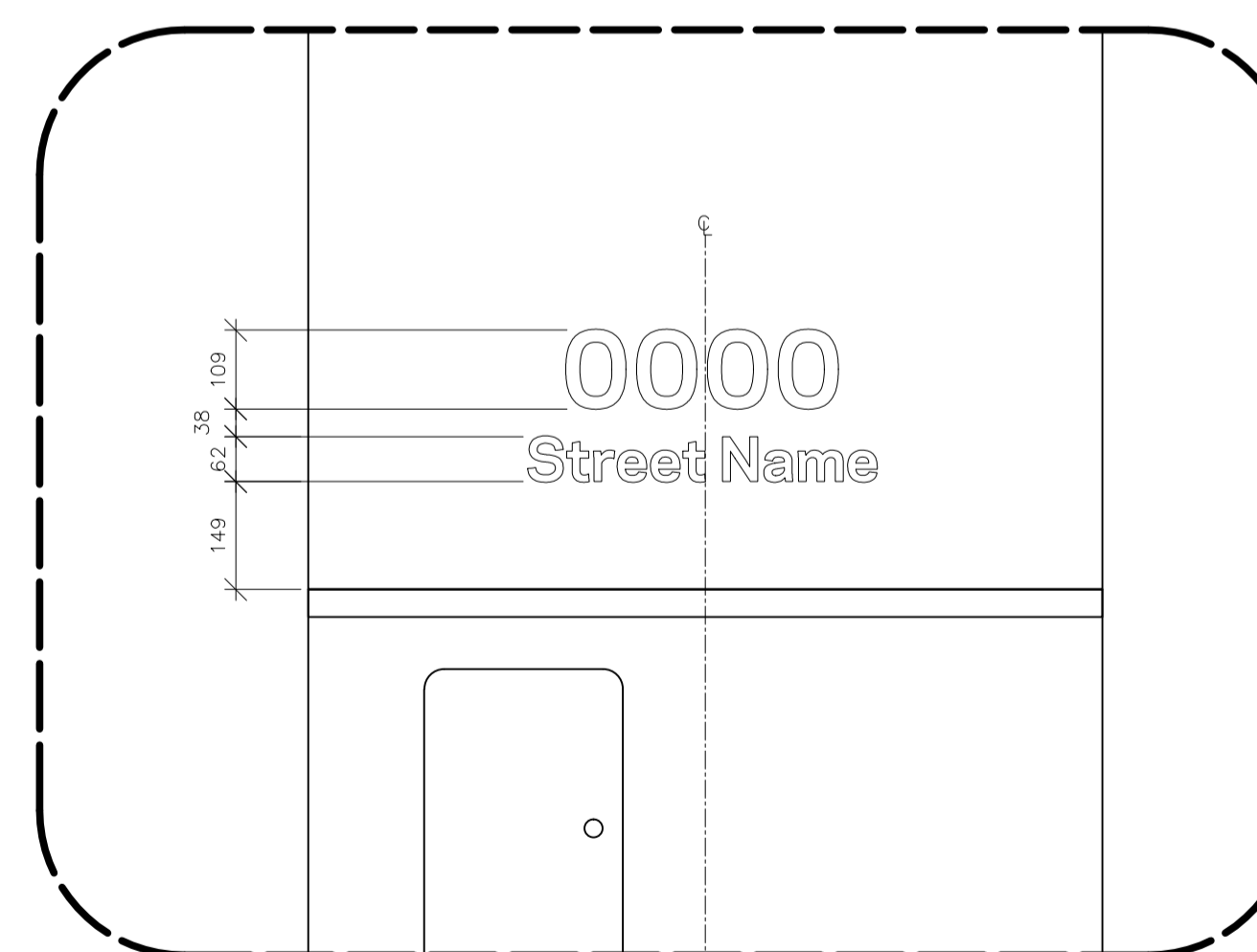
ALL DIMENSIONS SHOWN ARE IN METRES AND/OR MILLIMETRES UNLESS OTHERWISE NOTED.



2A STATION NAME/LOGO DETAIL (2-LINE)
Scale: 1:8



2B STATION NAME/LOGO DETAIL (1-LINE)
Scale: 1:8



3 MUNICIPAL ADDRESS DETAIL
Scale: 1:8

1 GENERAL ASSEMBLY
Scale: 1:20

METROLINX PROJECT NO. XXXXXX

REFERENCE DRAWINGS		ISSUE		REVISIONS	
DWG. NO.	TITLE	NO.	DATE	ISSUED FOR	REV. DATE

DRAWN BY: X.X.X. YY/MM/DD	DESIGNED BY: YY/MM/DD
CHECKED BY: YY/MM/DD	APPROVED BY: YY/MM/DD
SCALE: SHOWN	FULL SIZE ONLY



XXXXXXXXX STATION
GO ID. SIGNAGE
TYPE-1 SIGNS

CONTRACT NO. XX-200X-EN-XXX	DWG. NO. T1-001	REV. -	SHEET 1
--------------------------------	--------------------	-----------	------------