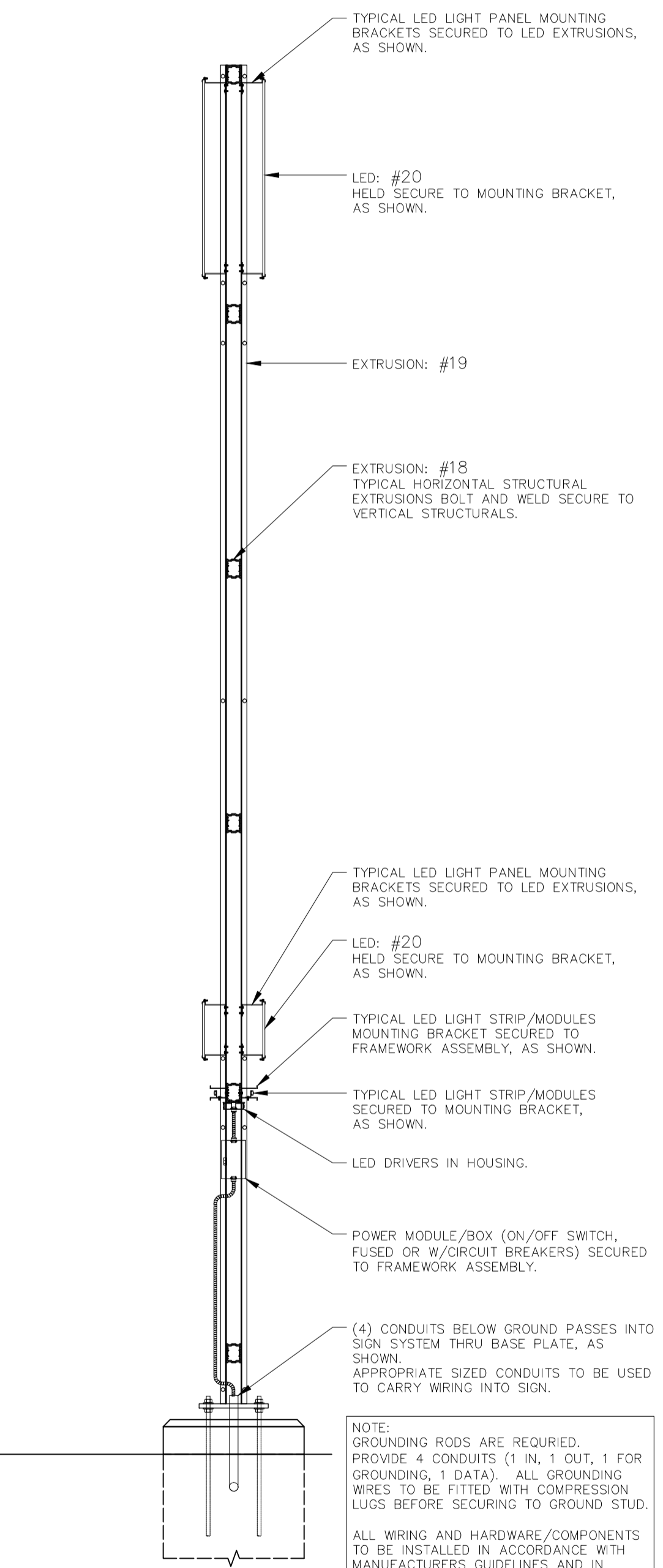
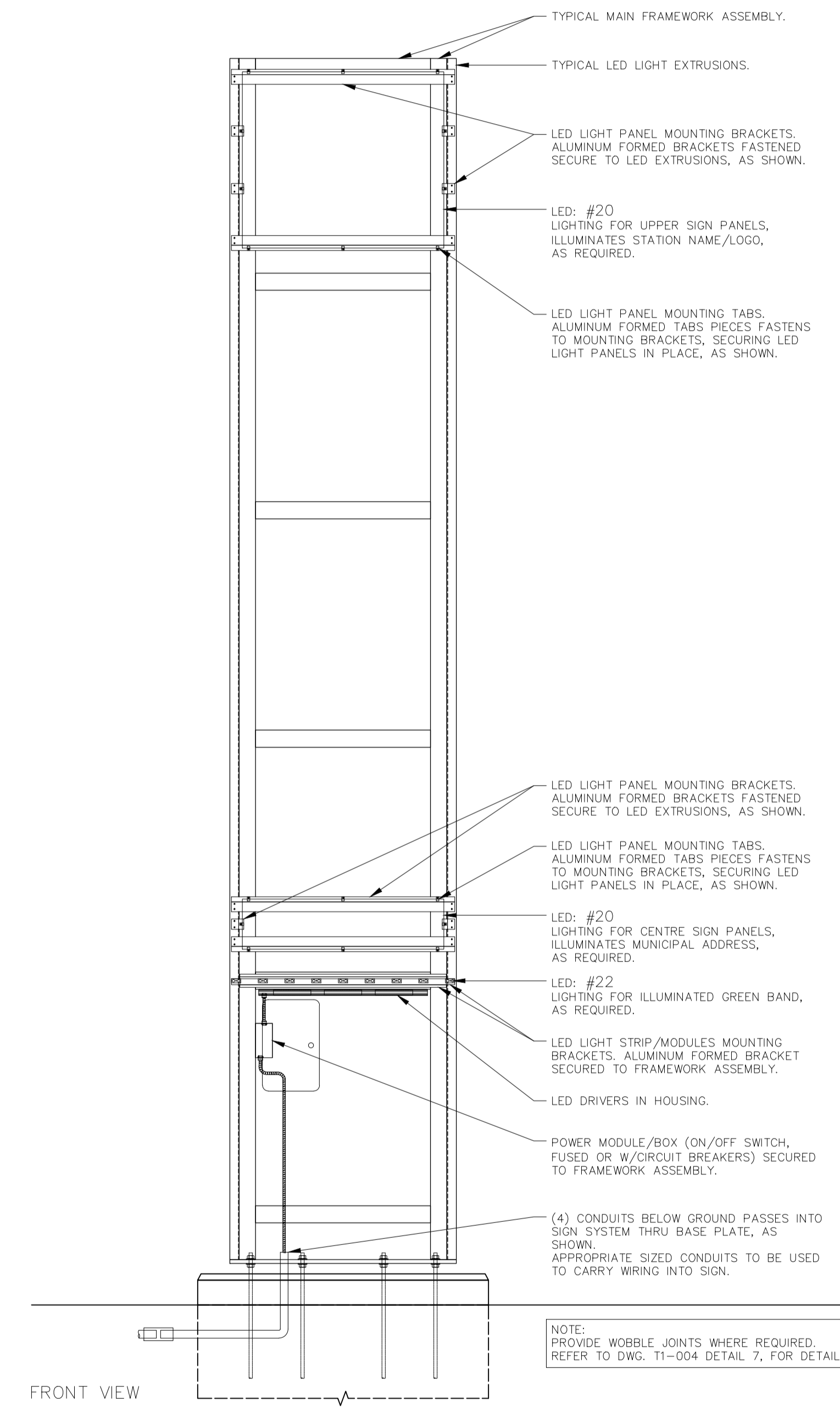
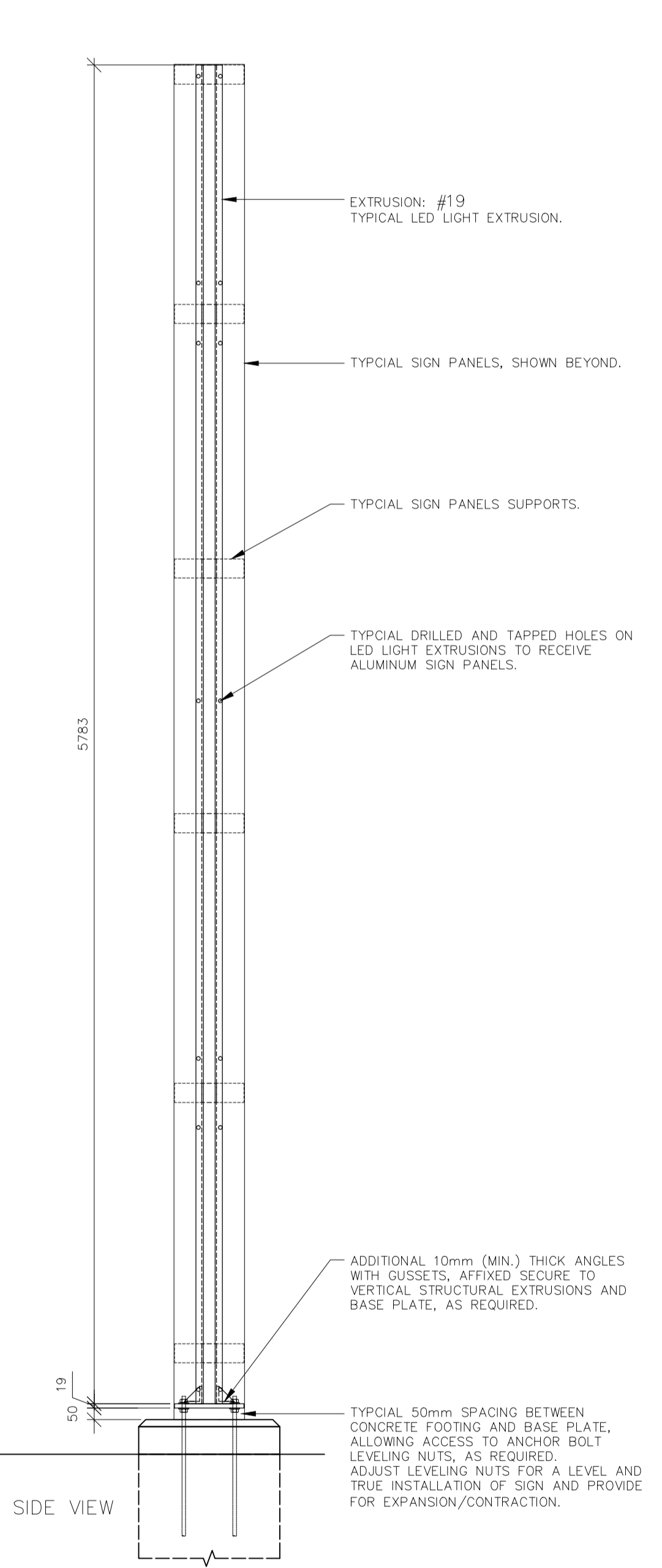
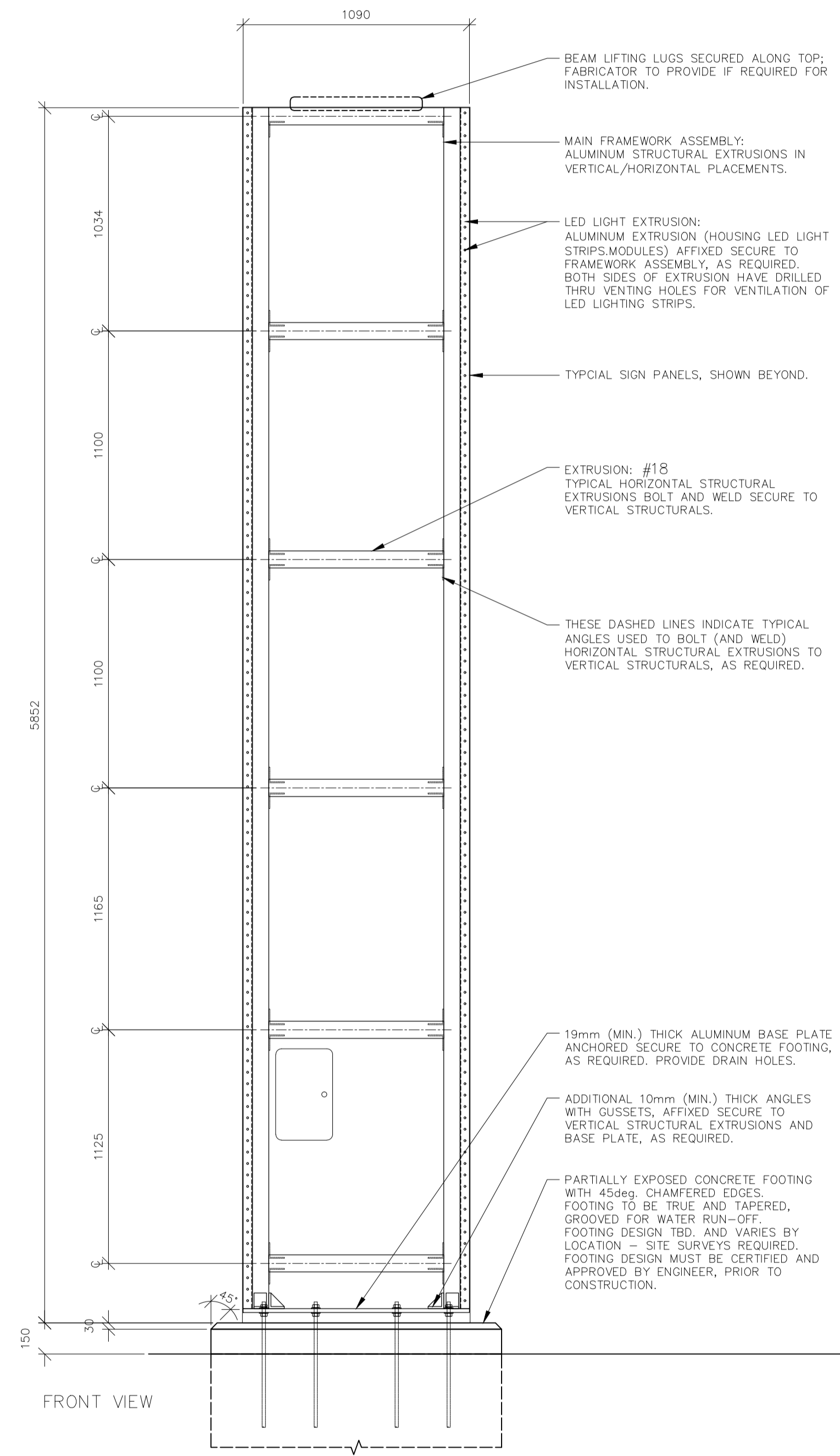
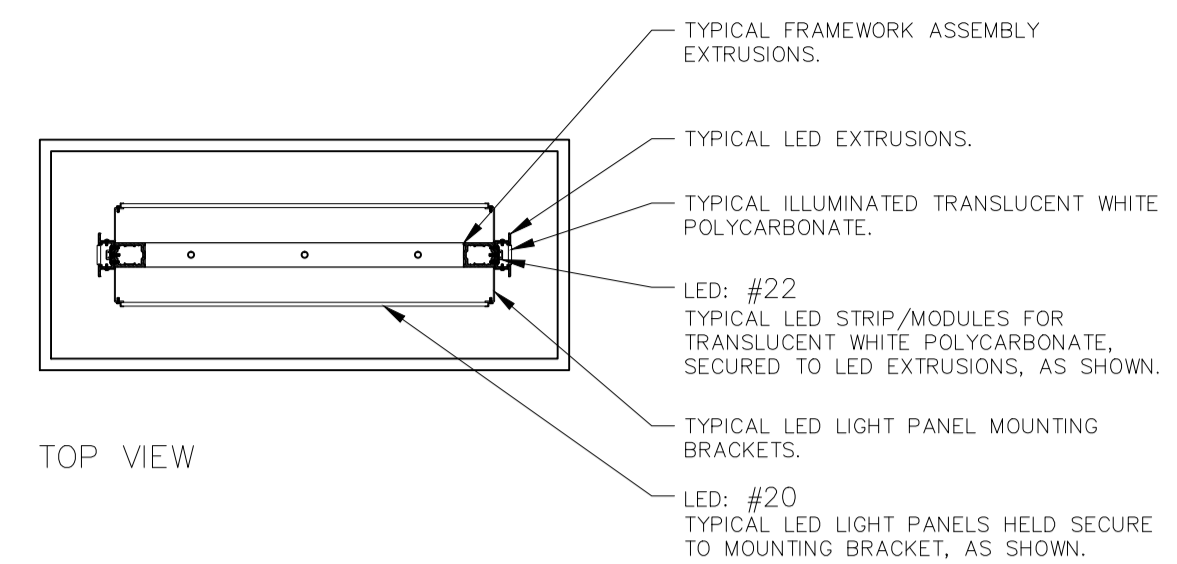
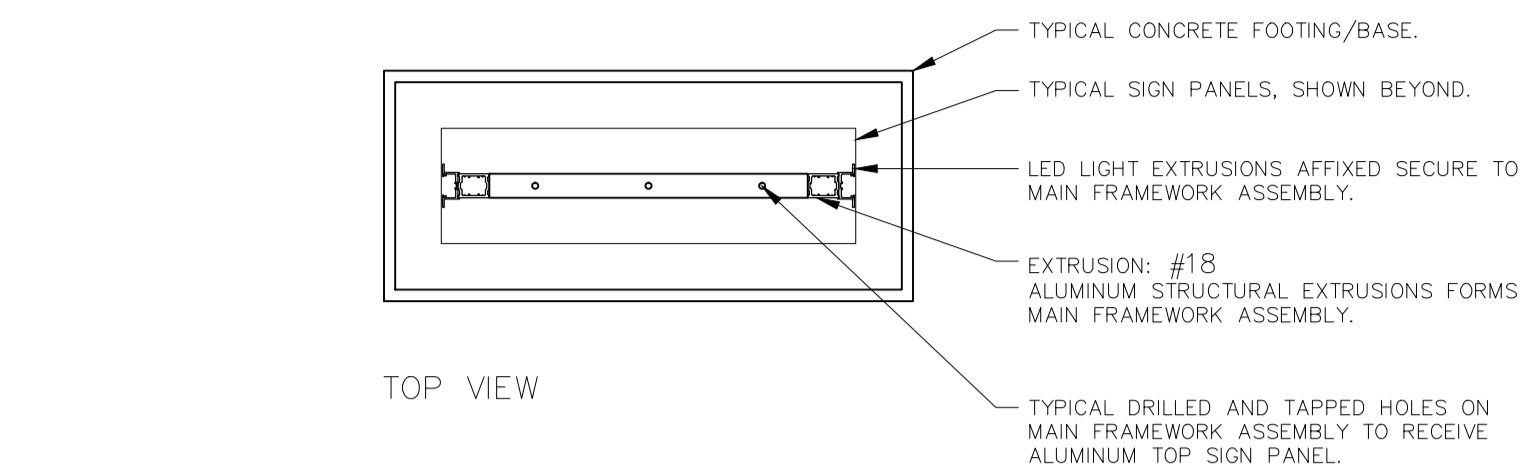


METRIC

ALL DIMENSIONS SHOWN ARE IN METRES AND/OR MILLIMETRES UNLESS OTHERWISE NOTED.



4 GENERAL STRUCTURAL ELEVATION  
Scale: 1:20

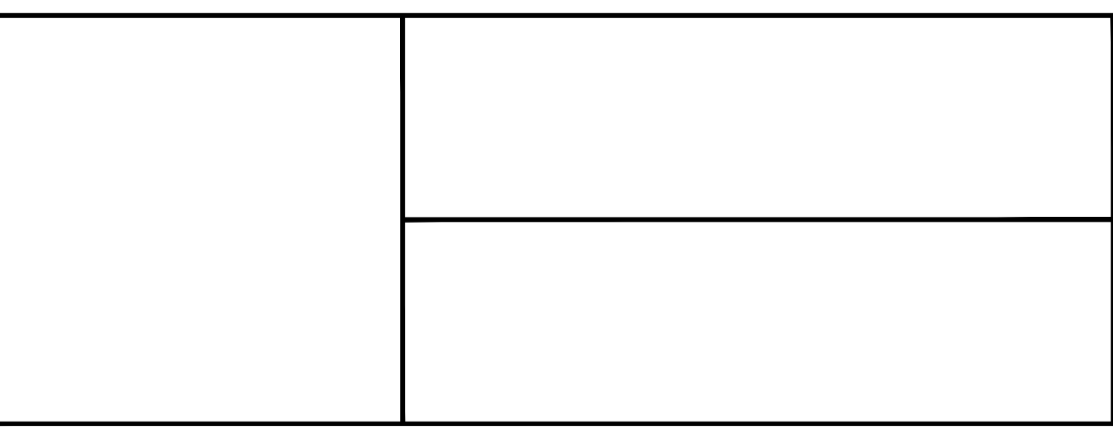
5 GENERAL STRUCTURAL ELEVATION W/ LIGHTING DETAILS  
Scale: 1:20

SIDE VIEW/  
TYPICAL THRU SECTION

METROLINX PROJECT NO. XXXXXX

REFERENCE DRAWINGS		ISSUE		REVISIONS	
DWG NO.	TITLE	NO.	DATE	ISSUED FOR	REV. DATE

DRAWN BY: X.X.X. YY/MM/DD	DESIGNED BY: YY/MM/DD
CHECKED BY: YY/MM/DD	APPROVED BY: YY/MM/DD
SCALE: SHOWN	FULL SIZE ONLY



XXXXXXXXX STATION  
GO ID. SIGNAGE  
TYPE-1 SIGNS

CONTRACT NO. XX-200X-EN-XXX	DWG. NO. T1-002	REV. -	SHEET 2
--------------------------------	--------------------	-----------	------------