

ALL DIMENSIONS SHOWN ARE IN METRES AND/OR MILLIMETRES UNLESS OTHERWISE NOTED.

- GENERAL NOTES:
- CONSULTANTS ARE TO REVIEW ALL WIRE SIZING TO TAKE INTO ACCOUNT; DERATING AND 3% MAXIMUM VOLTAGE DROP FACTORS. WIRE SIZES ARE SUGGESTIONS ONLY!
 - COMPONENT CROSS REFERENCES SHOWN AS: XXXY WHERE "XX" REPRESENTS FINAL 2 DIGITS OF REFERENCE DRAWING # AND "YY" REPRESENTS QUADRANT LOCATION ON DWG. I.E. 02C1 = WSP-001 QUAD. C1
 - IF CONSULTANTS RENUMBER DRAWINGS AND THEY MAKE MODIFICATIONS TO ALL REFERENCES AND SEE DRAWING # AS REQUIRED
 - REFER TO ELECTRIFICATION STANDARDS AND SPECIFICATIONS FOR GROUNDING AND BONDING, EMI/EMF WITHSTAND REQUIREMENTS, CABLING REQUIREMENTS.

LEGEND

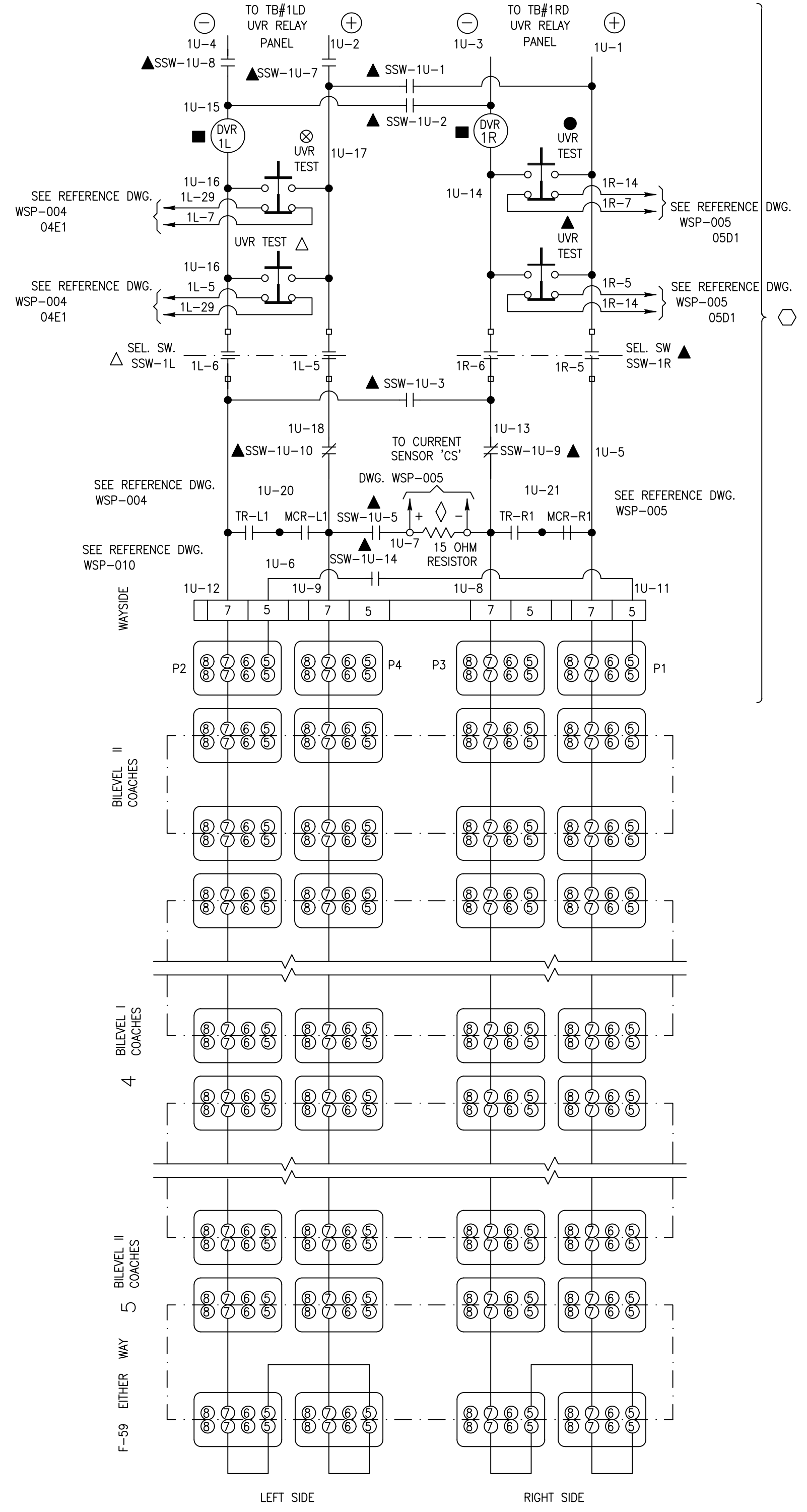
- HEAVY LINES INDICATING CIRCUIT CONTROL FLOW.
- DEVICE LOCATED IN RELAY PANEL
 - ▲ DEVICE LOCATED IN WAYSIDE CONTROL PANEL RIGHT SIDE
 - △ DEVICE LOCATED IN WAYSIDE CONTROL PANEL LEFT SIDE
 - DEVICE LOCATED IN MCC RIGHT SIDE
 - ⊗ DEVICE LOCATED IN MCC PANEL LEFT SIDE
 - ⊠ DEVICE LOCATED IN WAYSIDE DS PANEL RIGHT SIDE
 - ⊡ DEVICE LOCATED IN WAYSIDE DS PANEL LEFT SIDE
 - ▼ DEVICE LOCATED ON SUBSTATION EXTERIOR IN FIREMAN'S EMERGENCY POWER OFF BOX
 - ▽ DEVICE LOCATED IN FEPO CONTROL PANEL
 - ▲△ DEVICE LOCATED IN WAYSIDE CONTROL PANEL FIREMAN'S BOX
 - △▽ DEVICE LOCATED IN REMOTE OPERATIONAL PANEL FOR MAIN FEEDER BREAKERS
 - ◆ DEVICE LOCATED IN DC SUPPLY CABINET
 - ◇ DEVICE LOCATED IN DVR PANEL
 - ◆ DEVICE LOCATED IN TRANSFORMER PANEL
 - TERMINAL LOCATED IN BREAKER COMPARTMENT
 - INDICATE EXTERNAL WIRING
 - PROVIDE ALL CONTROL COMPONENTS IN UVR PANELS AND CABINETS, AND INTERWIRING WITHIN PANELS. WIRING BETWEEN PANELS AND WAYSIDE CABINET ARE TO BE DONE BY ELECTRICAL CONTRACTOR AS PART OF INSTALLATION.

NOTE:
THIS DRAWING IS PROVIDED FOR INSTRUCTIONAL DESIGN PURPOSES ONLY BASED ON METROLINX GO TRANSIT DESIGN GUIDELINES AND REQUIREMENTS. THE CONSULTANT SHALL VERIFY FOR LOCAL CODE COMPLIANCE, EXISTING SITE CONDITIONS AND INTER DISCIPLINARY DRAWING COORDINATION. ALL DIMENSIONS AND SPECIFICATIONS SHOULD BE VERIFIED BY CONSULTANT AND/OR CONTRACTOR BEFORE ACTUAL CONSTRUCTION BEGINS.

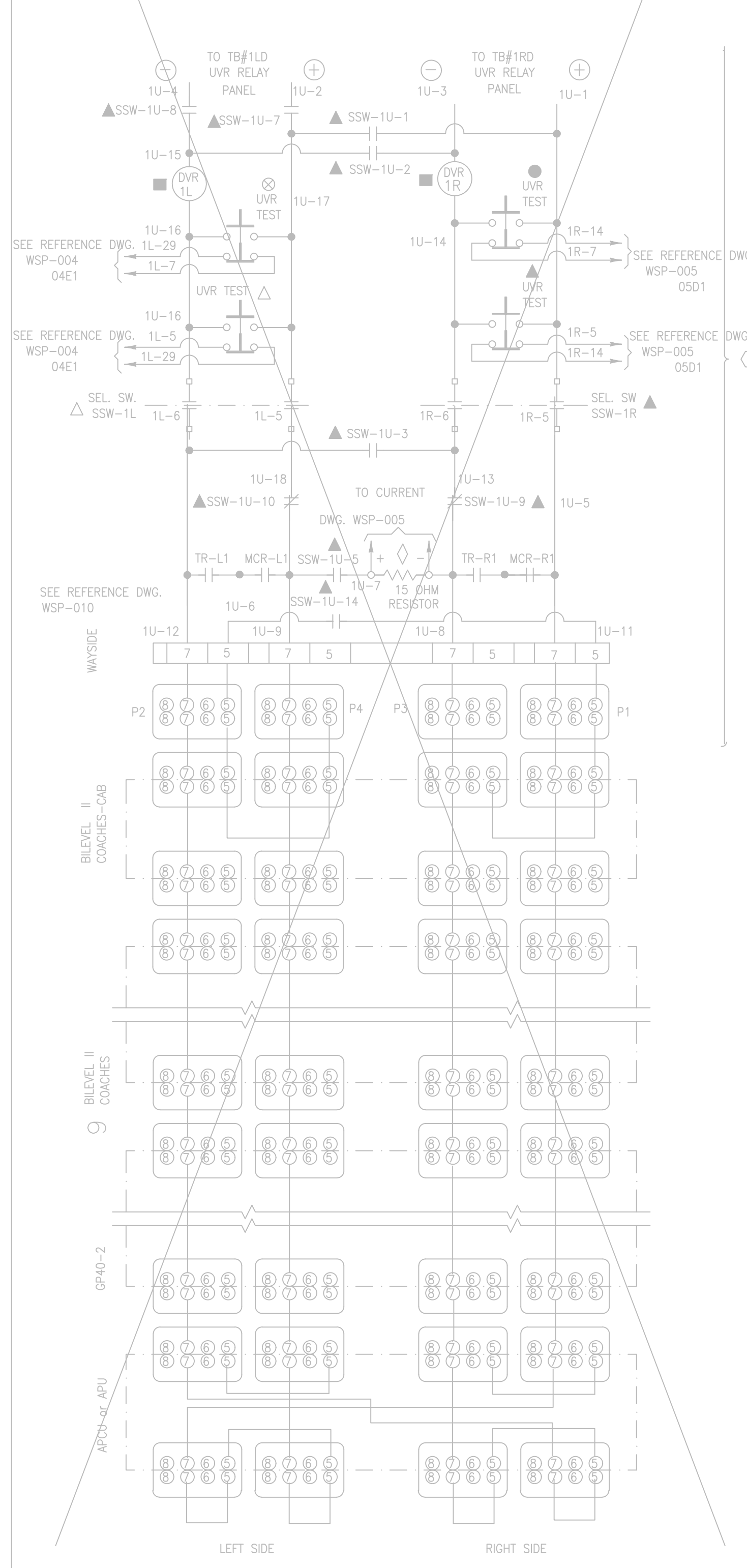
← SELDOM USED PROVIDED FOR REFERENCE ONLY

GO TRANSIT PROJECT NO. XXXXX

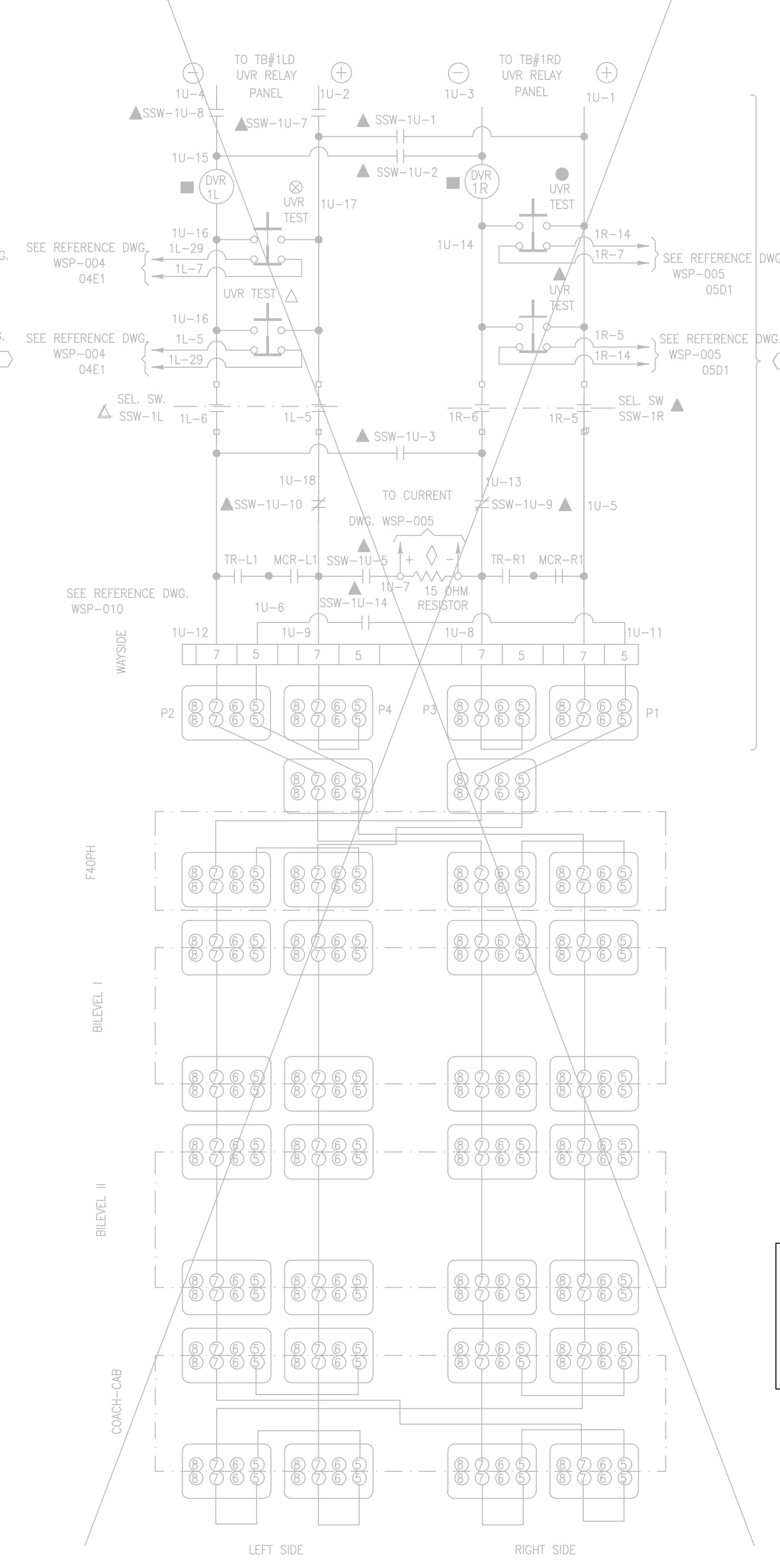
WAYSIDE UVR CONTROL CONNECTION WITH 4 POWER PLUG DOUBLE UVR LOOP



WAYSIDE UVR CONTROL CONNECTION WITH 4 POWER PLUG SINGLE UVR LOOP



WAYSIDE UVR CONTROL CONNECTION WITH 2 POWER PLUG SINGLE UVR LOOP



AutoCAD drawing: WSP-002.dwg Aug 15/18 12:25pm

REFERENCE DRAWINGS		ISSUE		REVISIONS		
MAR/2008	WSP-002			5	FEB. 2018 UPDATES AND ADDITONS	
				4	DEC 2013 DISCLAIMER NOTE	
				3	MAR 2013 UPDATES AND ADDITONS	
				2	JULY 2012 NOMENCLATURE REVISION	
				1	SEPT.2010 GENERAL REVISIONS	
DWG. NO.	TITLE	REV.	DATE	ISSUED FOR	REV.	DATE

DRAWN BY:	DESIGNED BY:
CHECKED BY:	APPROVED BY:
SCALE: N.T.S.	FULL SIZE ONLY



XXXXXX WAYSIDE POWER 120 DC UVR LOOP UNDERVOLTAGE RELAY CONNECTION DIAGRAM			
CONTRACT NO. XXXXXXXXXX	DWG. NO. WSP-002	REV. 5	SHEET XX