

ALL DIMENSIONS SHOWN ARE IN METRES AND/OR MILLIMETRES UNLESS OTHERWISE NOTED.

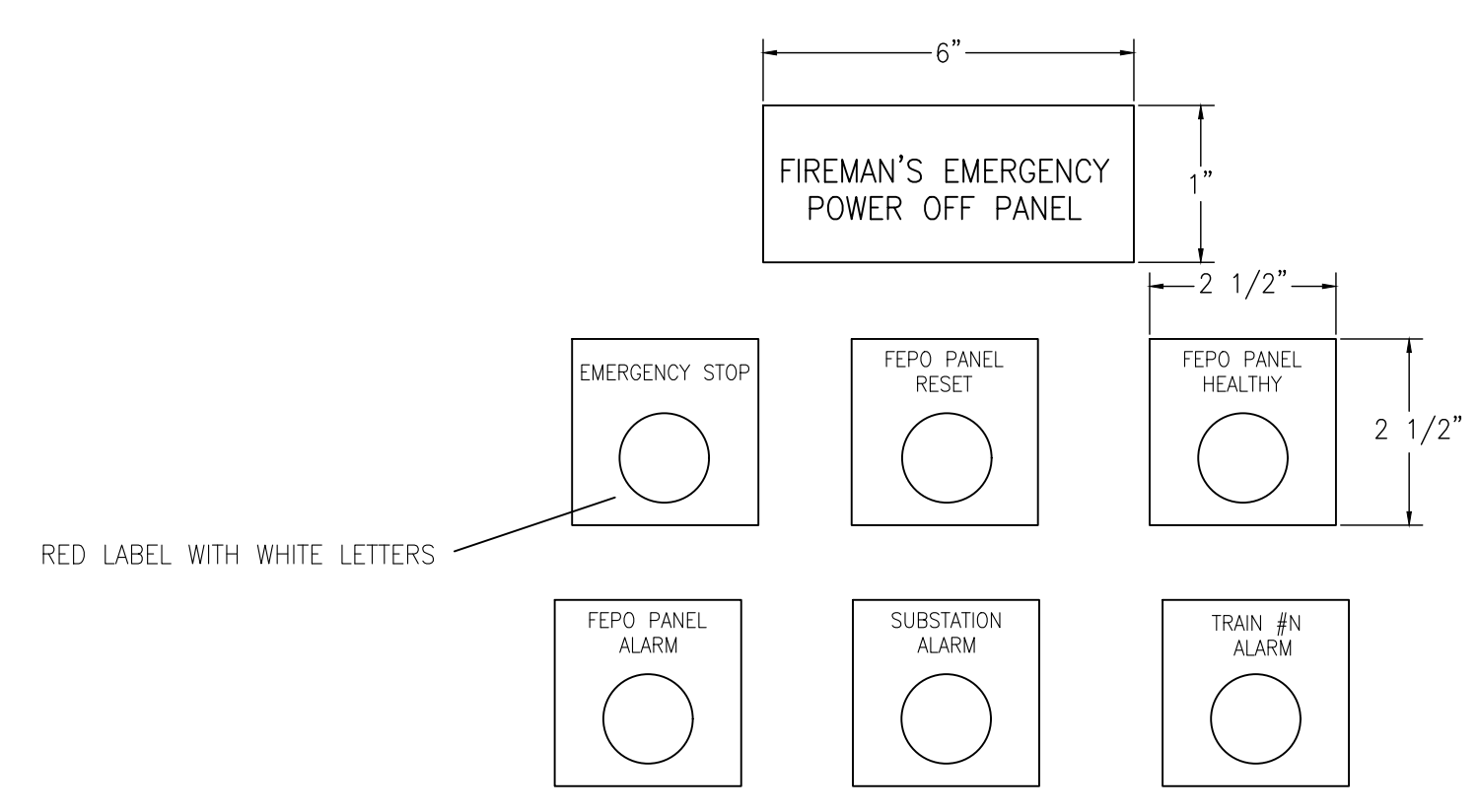
NOTES:

- CONSULTANTS ARE TO REVIEW ALL WIRE SIZING TO TAKE INTO ACCOUNT; DERATING AND 3% MAXIMUM VOLTAGE DROP FACTORS. WIRE SIZES ARE SUGGESTIONS ONLY!
- COMPONENT CROSS REFERENCES SHOWN AS: XXYY WHERE "XX" REP FINAL 2 DIGITS OF DWG # AND "YY" REP QUADRANT LOCATION ON DWG. IE. 02C1 = EDD-W1-002 QUAD. C1
- ALL LABELS ARE BLACK LABELS WITH WHITE LETTERS UNLESS OTHERWISE NOTED.
- REFER TO ELECTRIFICATION STANDARDS AND SPECIFICATIONS FOR GROUNDING AND BONDING, EMI/EMF WITHSTAND REQUIREMENTS, CABLING REQUIREMENTS.

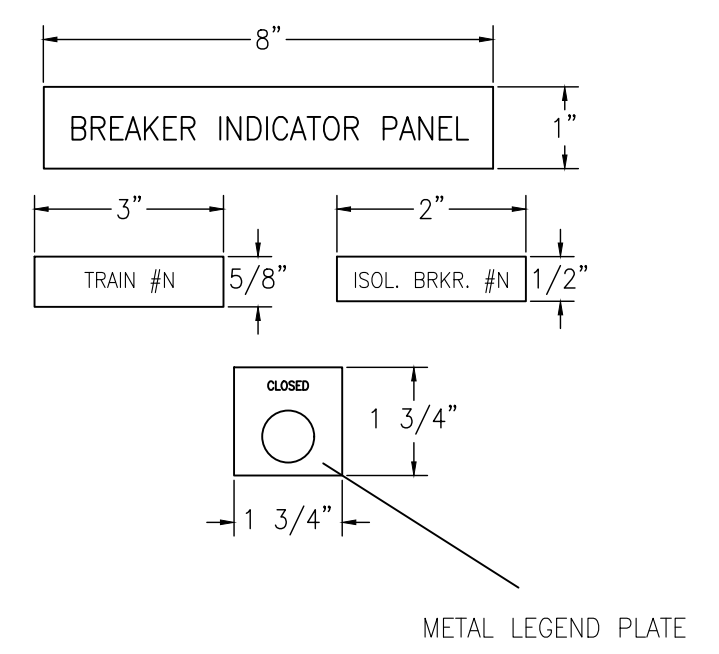
NOTE:
THIS DRAWING IS TO BE USED ONLY AS A REFERENCE DRAWING FOR EXISTING INSTALLATIONS AND EXPANSION OF EXISTING EQUIPMENT AS NECESSARY. NOT TO BE USED IN NEW DESIGNS.

NOTE:
THIS DRAWING IS PROVIDED FOR INSTRUCTIONAL DESIGN PURPOSES ONLY BASED ON METROLINX GO TRANSIT DESIGN GUIDELINES AND REQUIREMENTS. THE CONSULTANT SHALL VERIFY FOR LOCAL CODE COMPLIANCE, EXISTING SITE CONDITIONS AND INTER DISCIPLINARY DRAWING COORDINATION. ALL DIMENSIONS AND SPECIFICATIONS SHOULD BE VERIFIED BY CONSULTANT AND/OR CONTRACTOR BEFORE ACTUAL CONSTRUCTION BEGINS.

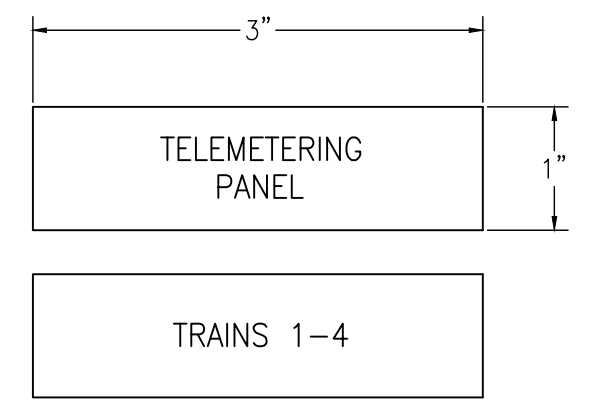
FEPO PANEL



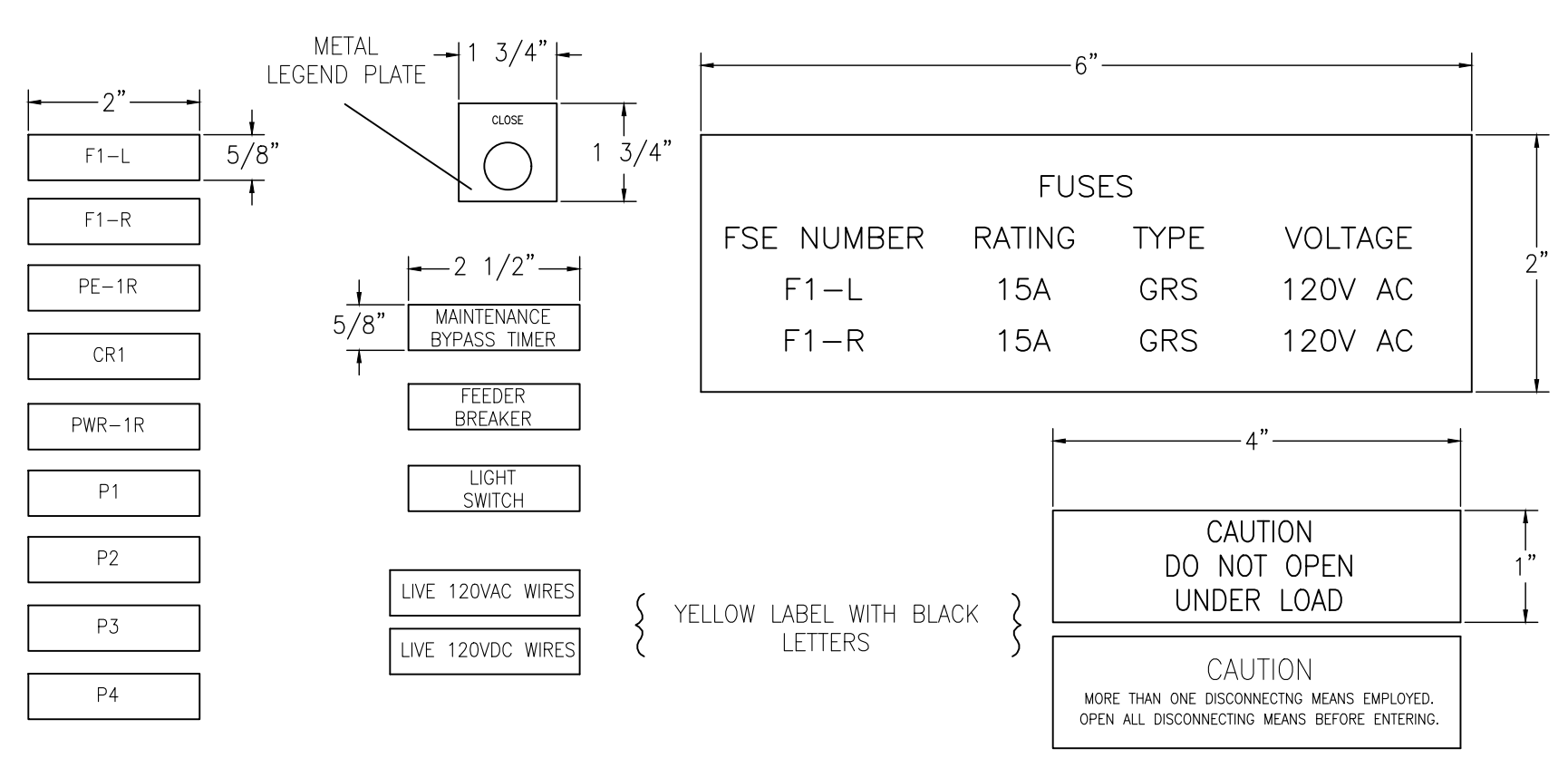
BREAKER INDICATOR PANEL



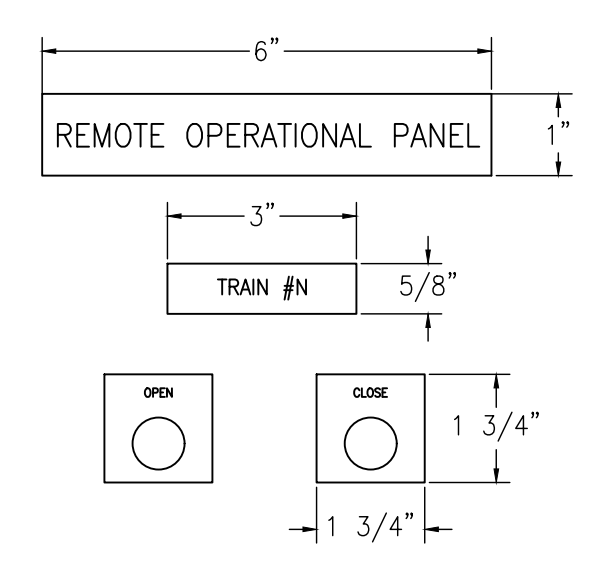
TELEM. PANEL



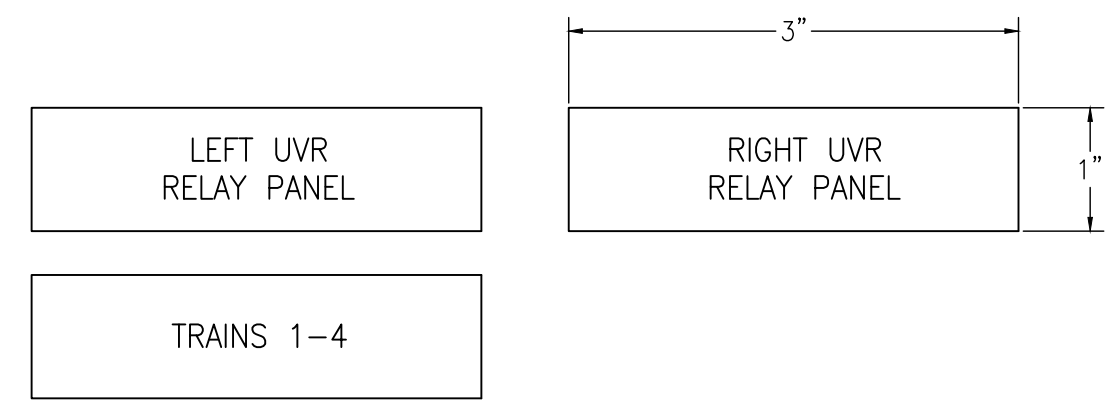
WAYSIDE INTERIOR



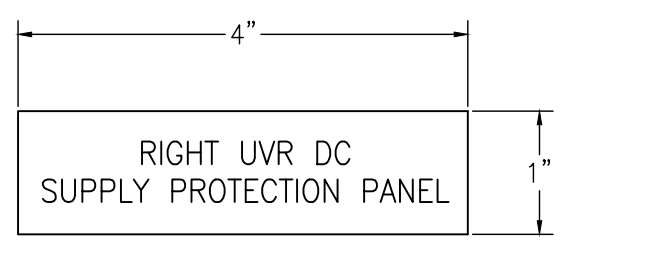
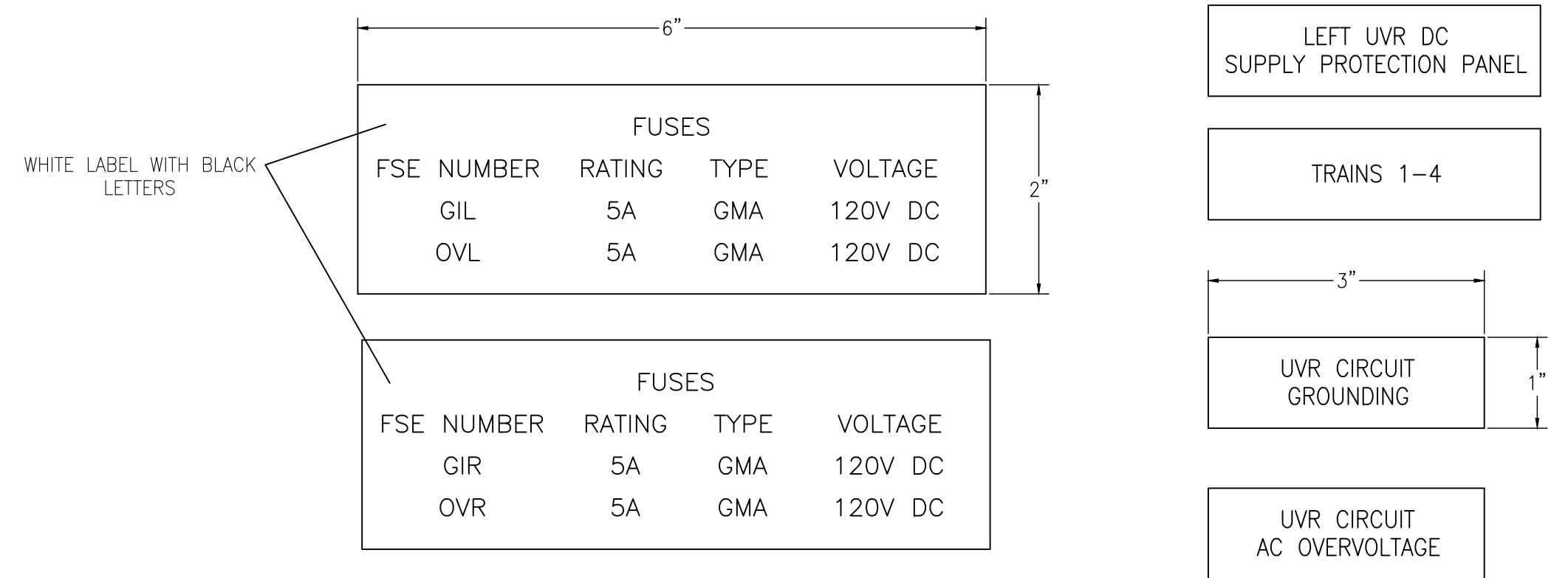
REMOTE OPERATIONAL PANEL



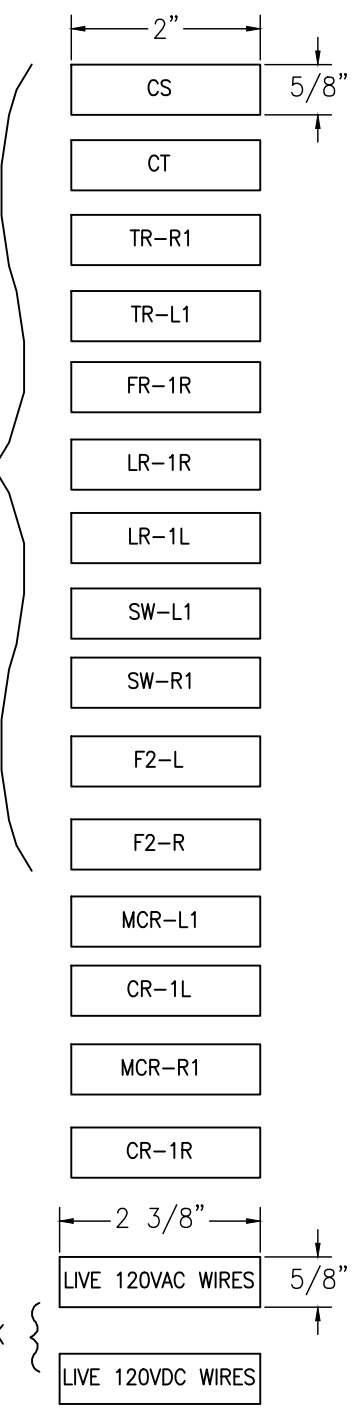
RELAY PANEL



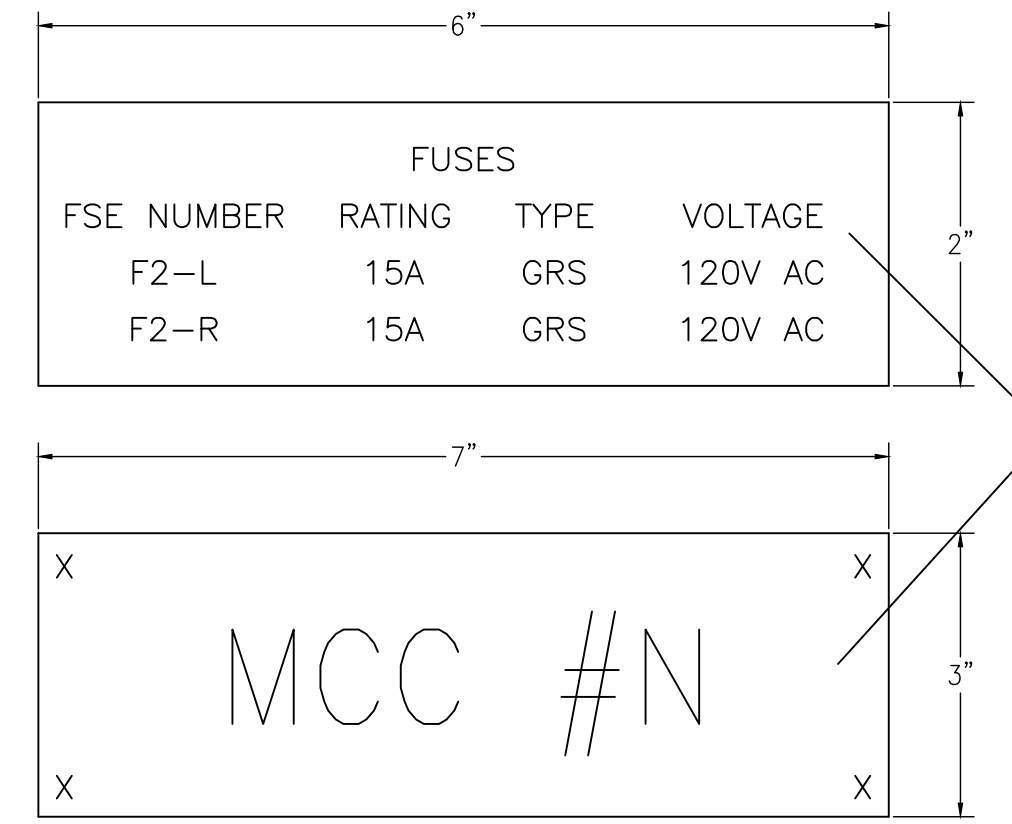
UVR DC SUPPLY PROTECTION PANEL



WHITE LABEL WITH BLACK LETTERS



MCC



WHITE LABEL WITH BLACK LETTERS

Aug 15/18 12:29pm
AutoCAD drawing: WSP-034.dwg

GO TRANSIT PROJECT NO. XXXXX

DWG. NO.	TITLE	REV.	DATE	ISSUED FOR	REV.	DATE	DESCRIPTION
					1	JULY 2012	NOMENCLATURE REVISION
					2	MAR 2013	UPDATES AND ADDITIONS
					3	DEC 2013	DISCLAIMER NOTE
					4	FEB. 2018	UPDATES AND ADDITIONS

DRAWN BY:	DESIGNED BY:
CHECKED BY:	APPROVED BY:
SCALE: N.T.S.	FULL SIZE ONLY



XXXXXX WAYSIDE POWER LABELS			
CONTRACT NO. XXXXXXXXXXXX	DWG. NO. WSP-034	REV. 4	SHEET XX