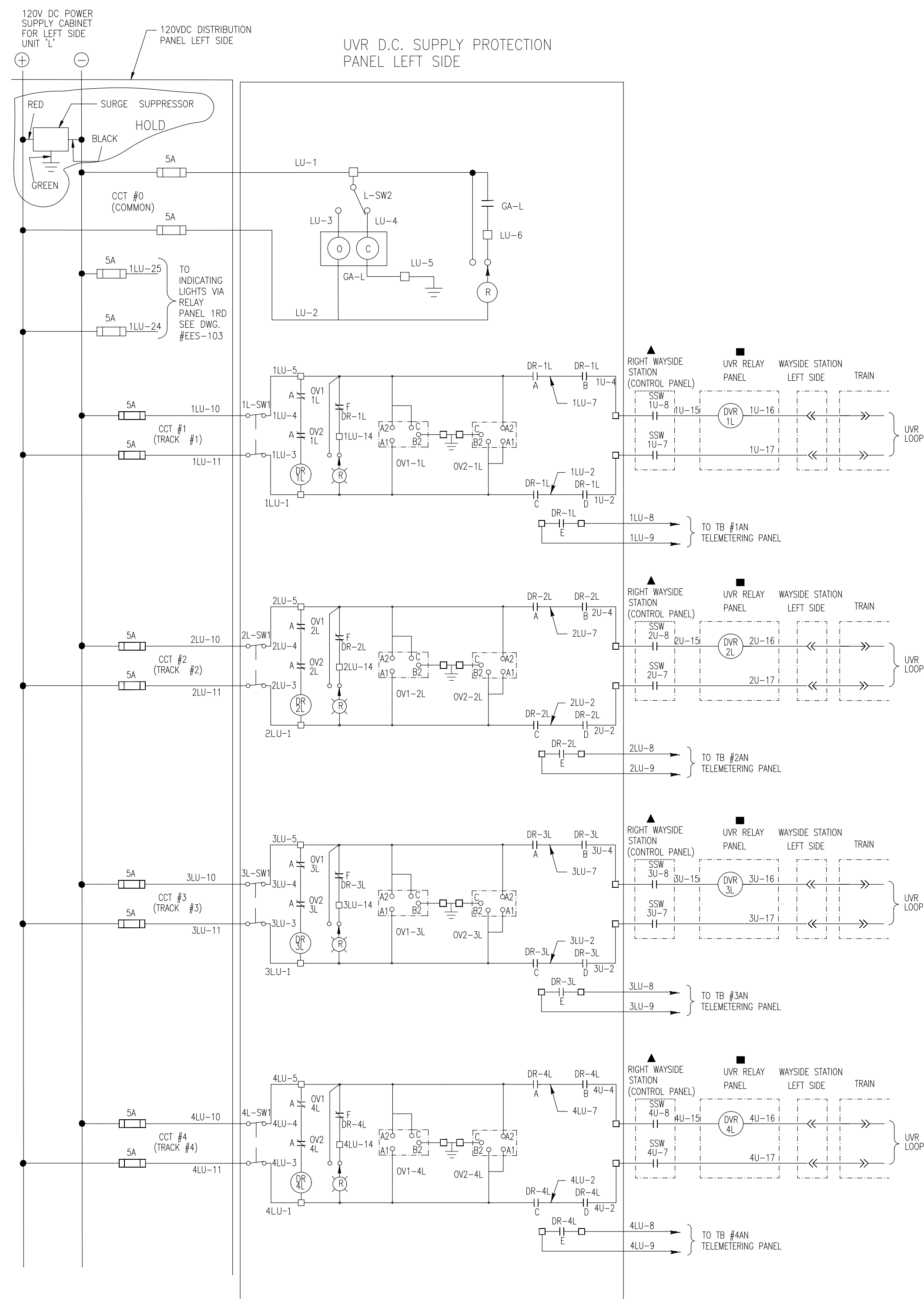


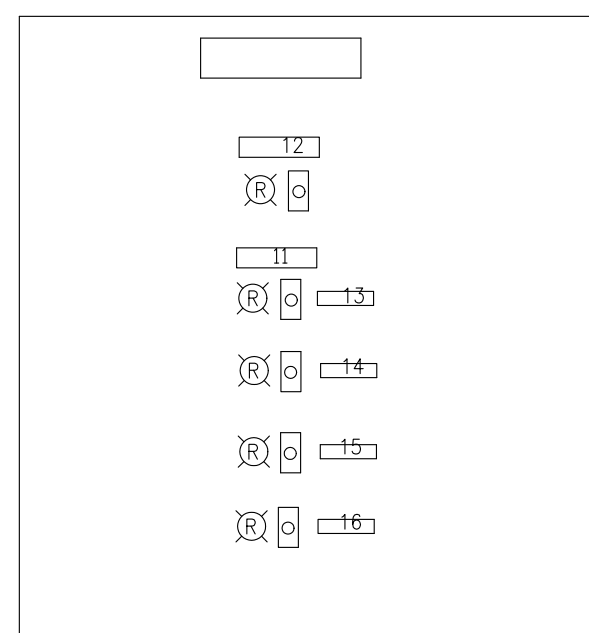
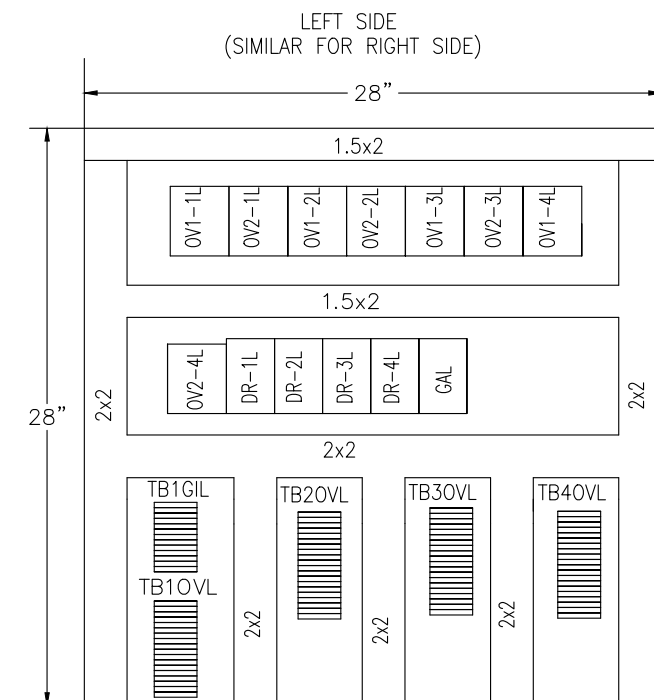
ALL DIMENSIONS SHOWN ARE IN METRES AND/OR MILLIMETRES UNLESS OTHERWISE NOTED.

GENERAL NOTES:

1. REFER TO ELECTRIFICATION STANDARDS AND SPECIFICATIONS FOR GROUNDING AND BONDING, EMI/EMF WITHSTAND REQUIREMENTS, CABLING REQUIREMENTS.

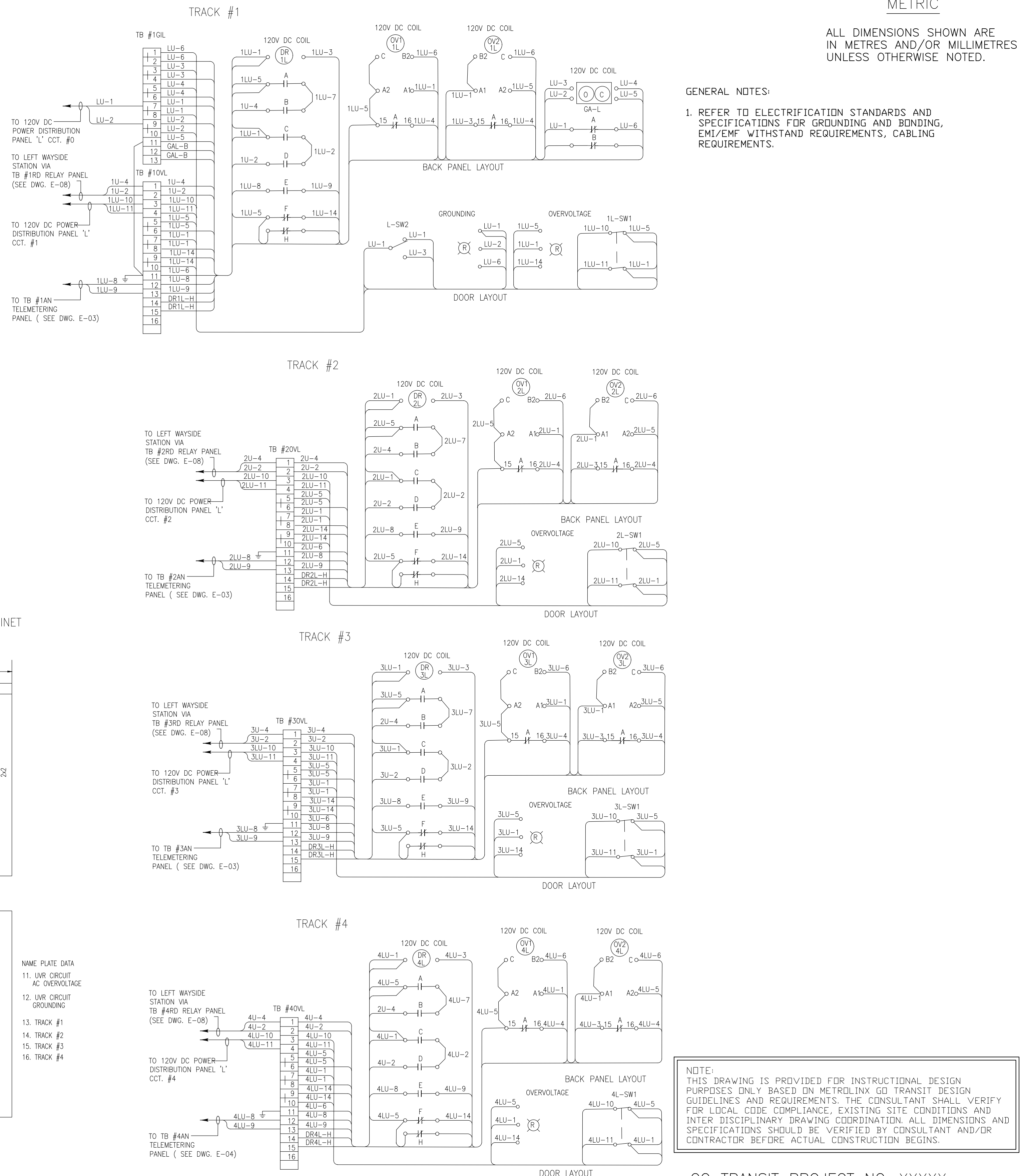


UVR DC SUPPLY PROTECTION CABINET BACKPANEL LAYOUT



- NAME PLATE DATA
11. UVR CIRCUIT AC OVERVOLTAGE
12. UVR CIRCUIT GROUNDING
13. TRACK #1
14. TRACK #2
15. TRACK #3
16. TRACK #4

UVR D.C. SUPPLY PROTECTION CABINET DOOR LAYOUT (SIMILAR TO RIGHT SIDE)



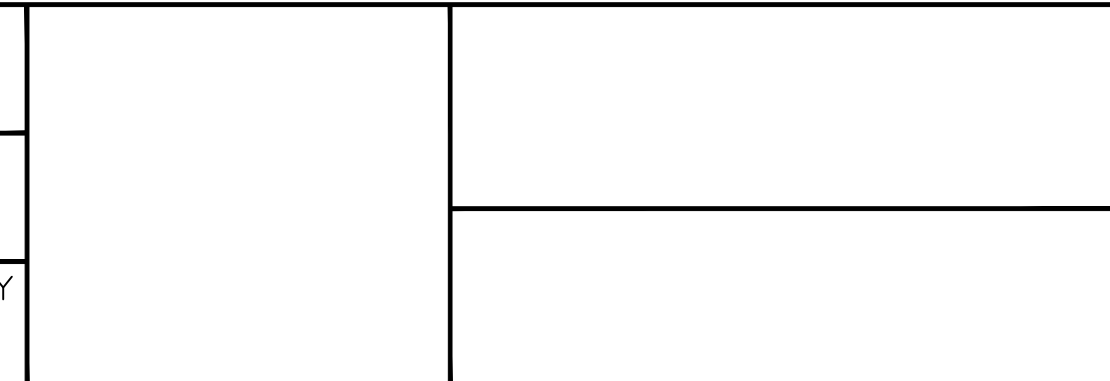
NOTE: THIS DRAWING IS PROVIDED FOR INSTRUCTIONAL DESIGN PURPOSES ONLY BASED ON METROLINX GO TRANSIT DESIGN GUIDELINES AND REQUIREMENTS. THE CONSULTANT SHALL VERIFY FOR LOCAL CODE COMPLIANCE, EXISTING SITE CONDITIONS AND INTER DISCIPLINARY DRAWING COORDINATION. ALL DIMENSIONS AND SPECIFICATIONS SHOULD BE VERIFIED BY CONSULTANT AND/OR CONTRACTOR BEFORE ACTUAL CONSTRUCTION BEGINS.

GO TRANSIT PROJECT NO. XXXXX

Aug 15/18 12:27pm
AutoCAD drawing: WSP-019A.dwg

Table with columns: REFERENCE DRAWINGS, ISSUE, REVISIONS, DRAWN BY, DESIGNED BY, CHECKED BY, APPROVED BY, SCALE: N.T.S., FULL SIZE ONLY. Includes revision history for FEB 2018.

Table with columns: DRAWN BY, DESIGNED BY, CHECKED BY, APPROVED BY, SCALE: N.T.S., FULL SIZE ONLY.



Project title: WAYSIDE POWER UVR DC SUPPLY CIRCUIT PROTECTION (ALTERNATE) LEFT SIDE 1 OF 2. Includes contract and drawing numbers.