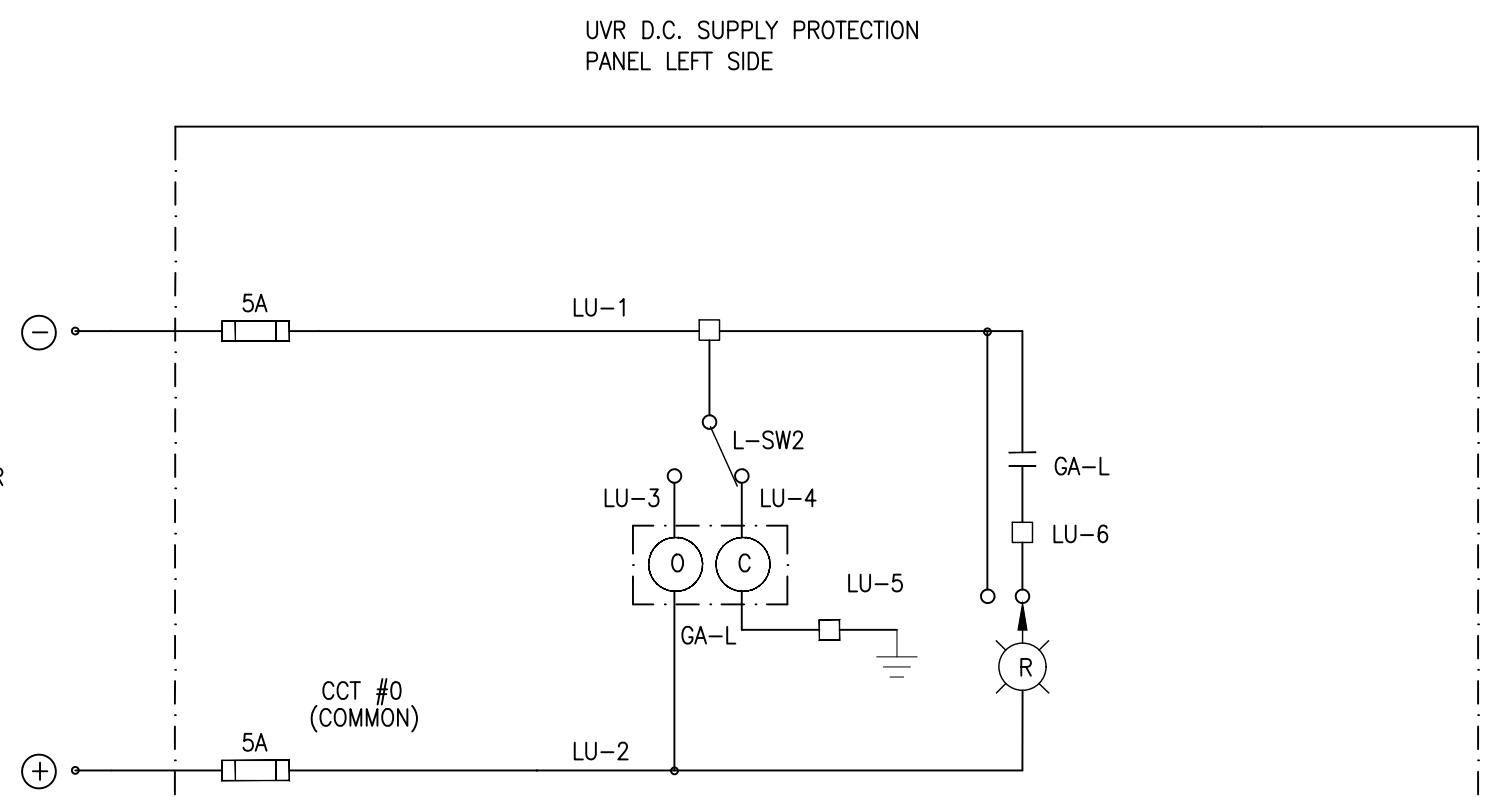


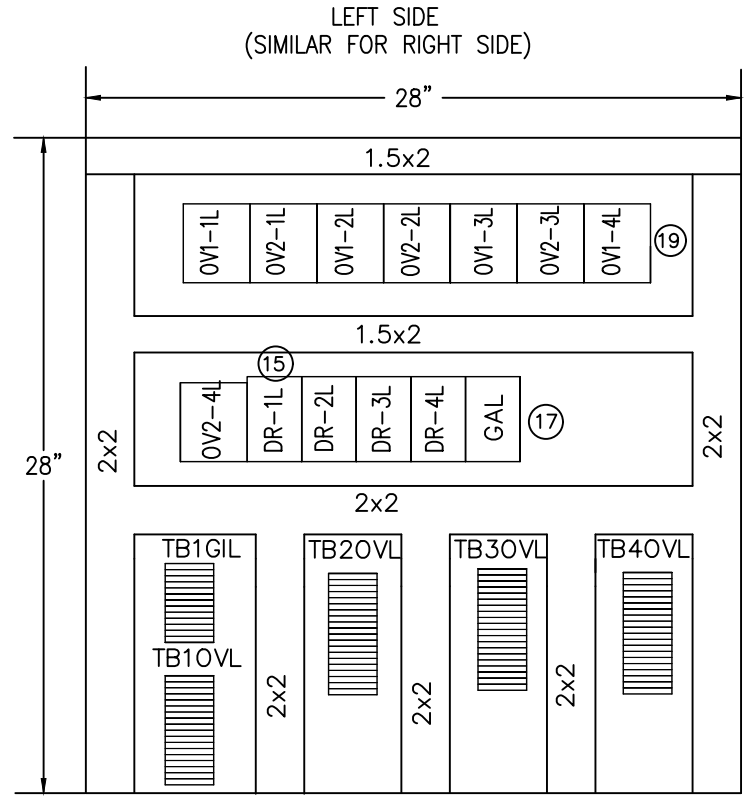
GENERAL NOTES:

- CONSULTANTS ARE TO REVIEW ALL WIRE SIZING TO TAKE INTO ACCOUNT; DERATING AND 3% MAXIMUM VOLTAGE DROP FACTORS. WIRE SIZES ARE SUGGESTIONS ONLY!
- COMPONENT CROSS REFERENCES SHOWN AS: XXXY WHERE "XX" REPRESENTS FINAL 2 DIGITS OF REFERENCE DRAWING # AND "YY" REPRESENTS QUADRANT LOCATION ON DWG. I.E. 02C1 = WSP-002 QUAD. C1
- REFER TO ELECTRIFICATION STANDARDS AND SPECIFICATIONS FOR GROUNDING AND BONDING, EMI/EMF WITHSTAND REQUIREMENTS, CABLING REQUIREMENTS.

ALL DIMENSIONS SHOWN ARE IN METRES AND/OR MILLIMETRES UNLESS OTHERWISE NOTED.



UVR DC SUPPLY PROTECTION CABINET BACKPANEL LAYOUT

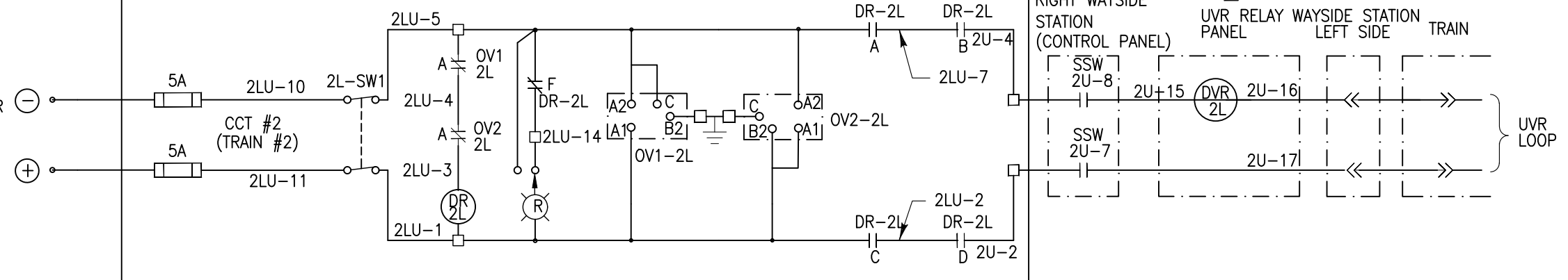
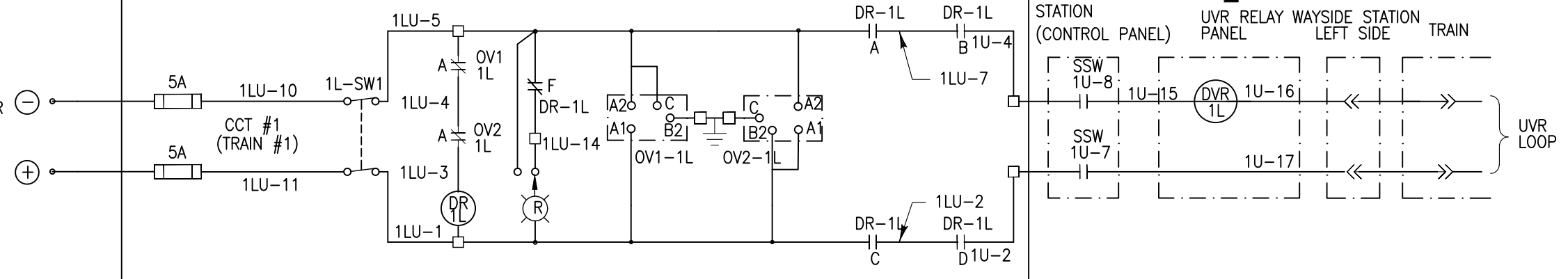


120V D.C. POWER SUPPLY CABINET FOR LEFT SIDE CIRCUIT #1

120V D.C. POWER SUPPLY CABINET FOR LEFT SIDE CIRCUIT #1

120V D.C. POWER SUPPLY CABINET FOR LEFT SIDE CIRCUIT #1

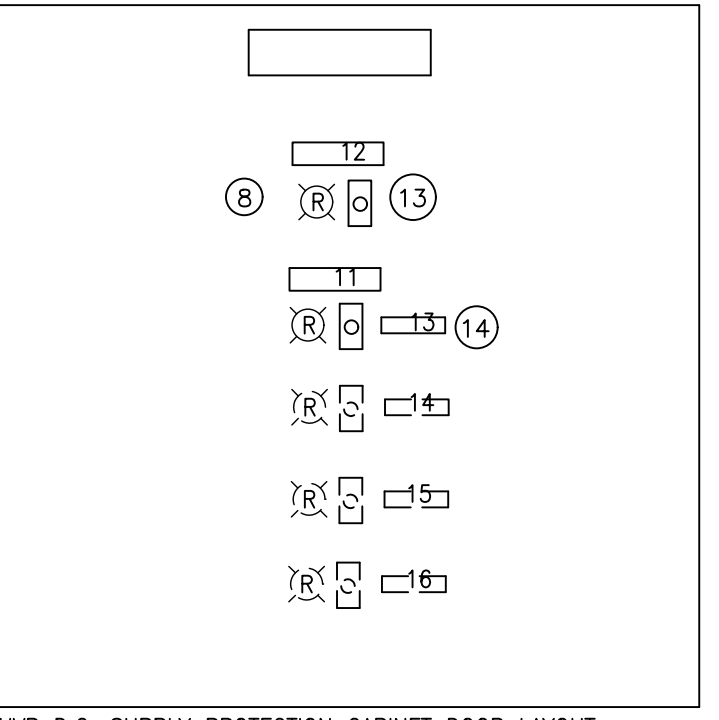
120V D.C. POWER SUPPLY CABINET FOR LEFT SIDE CIRCUIT #2



UVR D.C. SUPPLY PROTECTION CONTROL SCHEMATIC DIAGRAM LEFT SIDE

OV1 & OV2 RELAY SETTINGS

u%: 70  
Hys: 30  
R: 100  
Function: >1

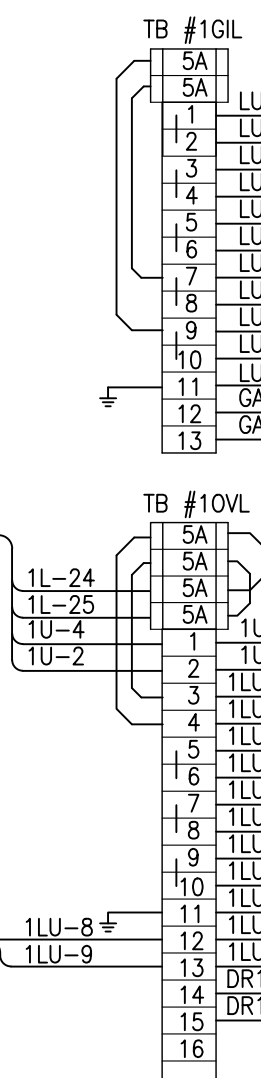


- NAME PLATE DATA
- UVR CIRCUIT AC OVERVOLTAGE
  - UVR CIRCUIT GROUNDING
  - TRACK #1
  - TRACK #2
  - TRACK #3
  - TRACK #4

TO TB #2LD RELAY PANEL (SEE REFERENCE DWG. WSP-017) 4-1C#12 17C6

TO TB #2LD RELAY PANEL (SEE REFERENCE DWG. WSP-017) 4-1C#12 17C6

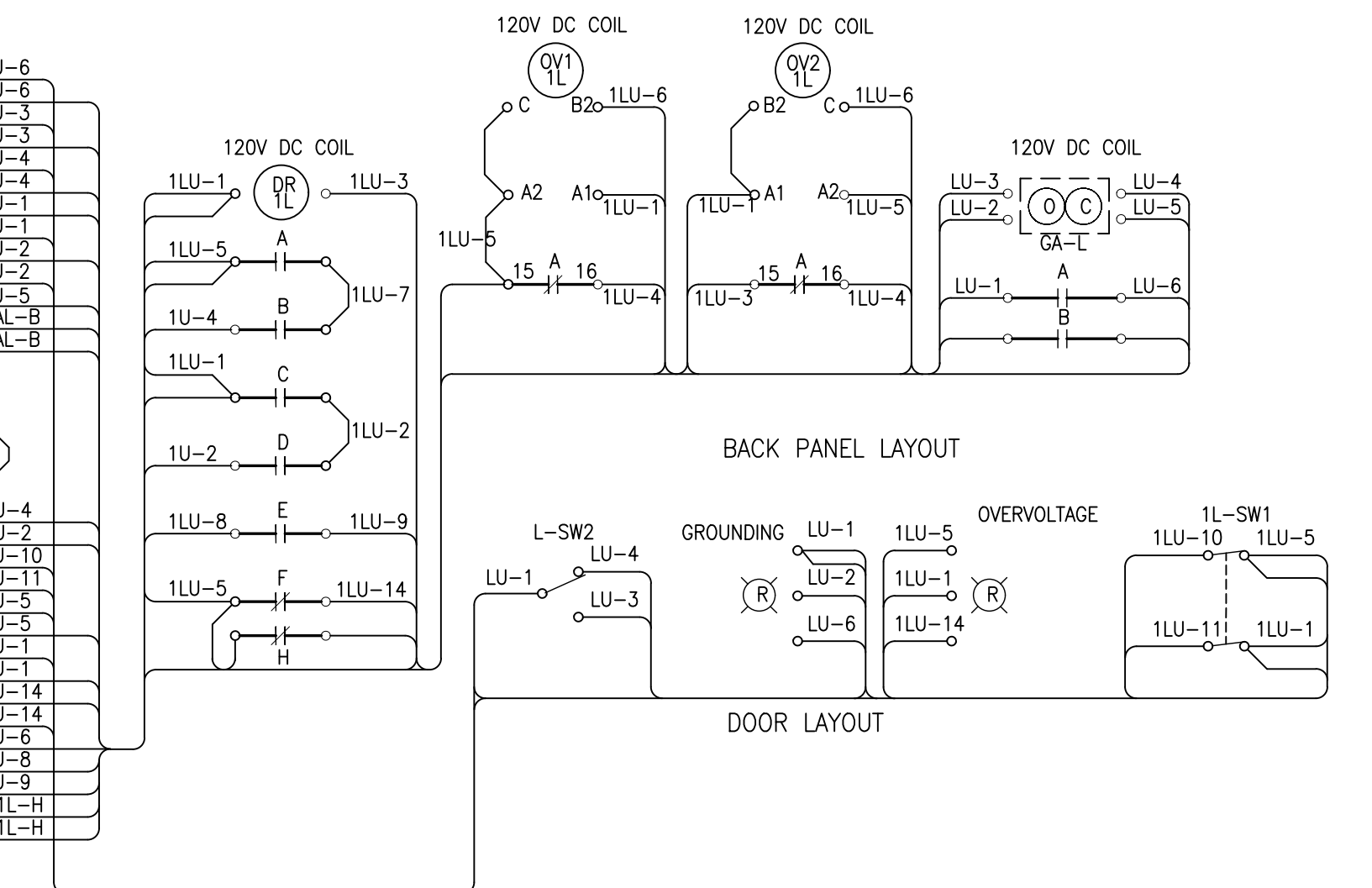
TELEMETERING CABINET (SEE REFERENCE DWG. WSP-023) 23E2



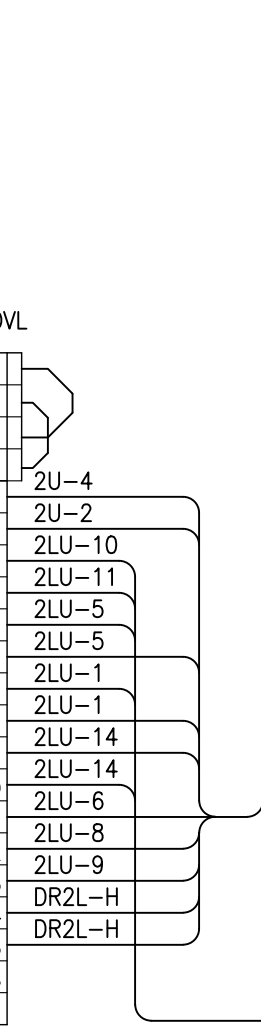
TO TB #1LD RELAY PANEL (SEE REFERENCE DWG. WSP-017) 4-1C#12 17C2

TRAIN #1

TELEMETERING CABINET (SEE REFERENCE DWG. WSP-023) 23B2



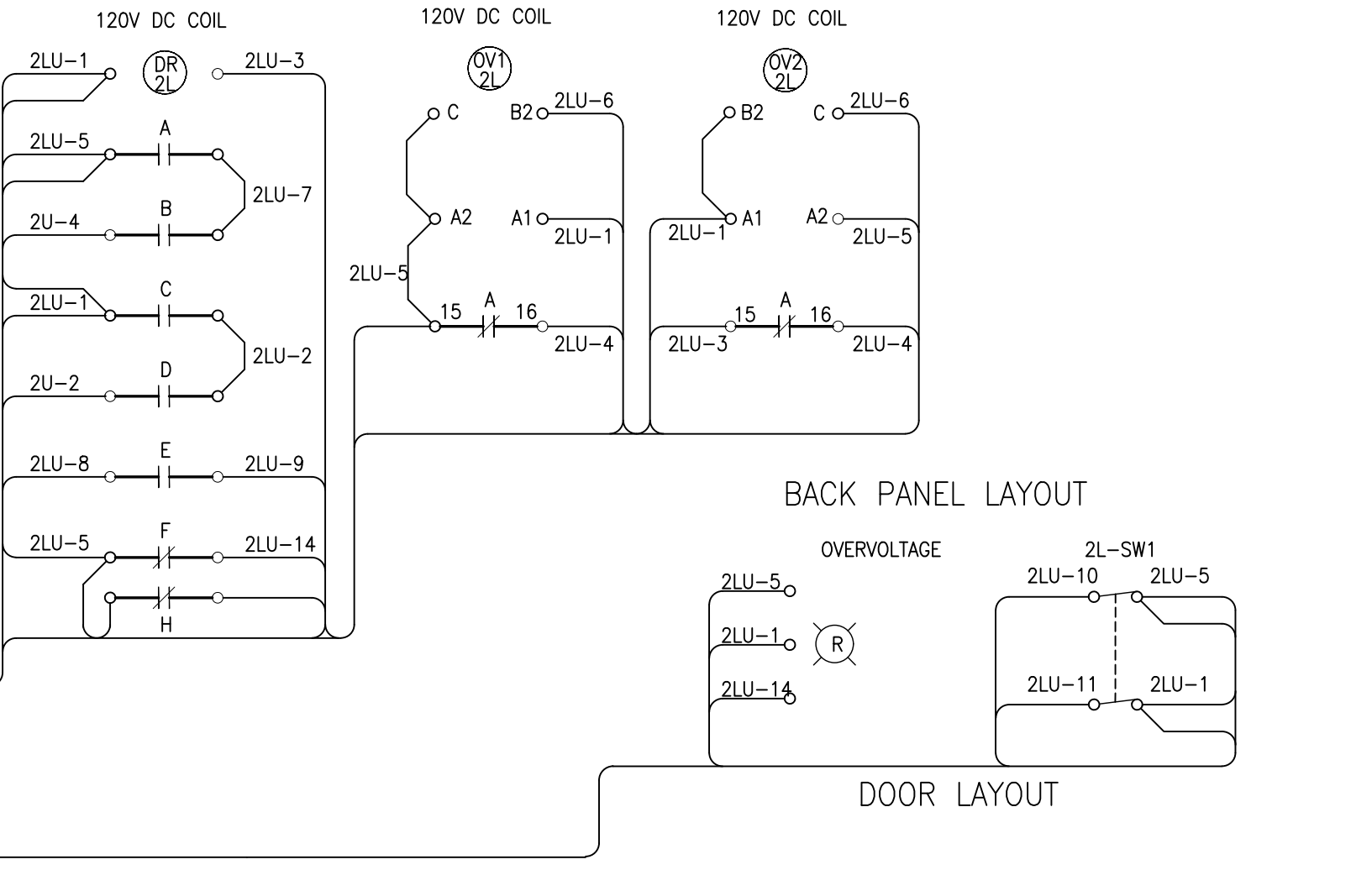
NOTE: THIS DRAWING IS PROVIDED FOR INSTRUCTIONAL DESIGN PURPOSES ONLY BASED ON METROLINK GO TRANSIT DESIGN GUIDELINES AND REQUIREMENTS. THE CONSULTANT SHALL VERIFY FOR LOCAL CODE COMPLIANCE, EXISTING SITE CONDITIONS AND INTER DISCIPLINARY DRAWING COORDINATION. ALL DIMENSIONS AND SPECIFICATIONS SHOULD BE VERIFIED BY CONSULTANT AND/OR CONTRACTOR BEFORE ACTUAL CONSTRUCTION BEGINS.



TO TB #2LD RELAY PANEL (SEE REFERENCE DWG. WSP-017) 4-1C#12 17C6

TO TB #2LD RELAY PANEL (SEE REFERENCE DWG. WSP-017) 4-1C#12 17C6

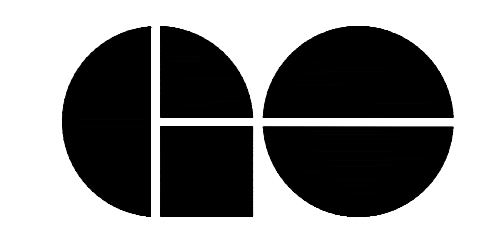
TELEMETERING CABINET (SEE REFERENCE DWG. WSP-023) 23E2



Aug 15/18 12:27pm  
AutoCAD drawing: WSP-019.dwg

DWG. NO.	TITLE	REV.	DATE	ISSUED FOR	REV.	DATE	GENERAL REVISIONS
					5	FEB. 2018	UPDATES AND ADDITIONS
					4	DEC 2013	DISCLAIMER NOTE
					3	MAR 2013	UPDATES AND ADDITIONS
					2	JULY 2012	NOMENCLATURE REVISION
					1	SEPT.2010	GENERAL REVISIONS

DRAWN BY:	DESIGNED BY:
CHECKED BY:	APPROVED BY:
SCALE: N.T.S.	FULL SIZE ONLY



A Division of Metrolinx

GO TRANSIT PROJECT NO. XXXXX

<p>XXXXXX WAYSIDE POWER UVR DC SUPPLY CIRCUIT PROTECTION LEFT SIDE 1 OF 2</p>			
CONTRACT NO. XXXXXXXXXXXX	DWG. NO. WSP-019	REV. 5	SHEET XX