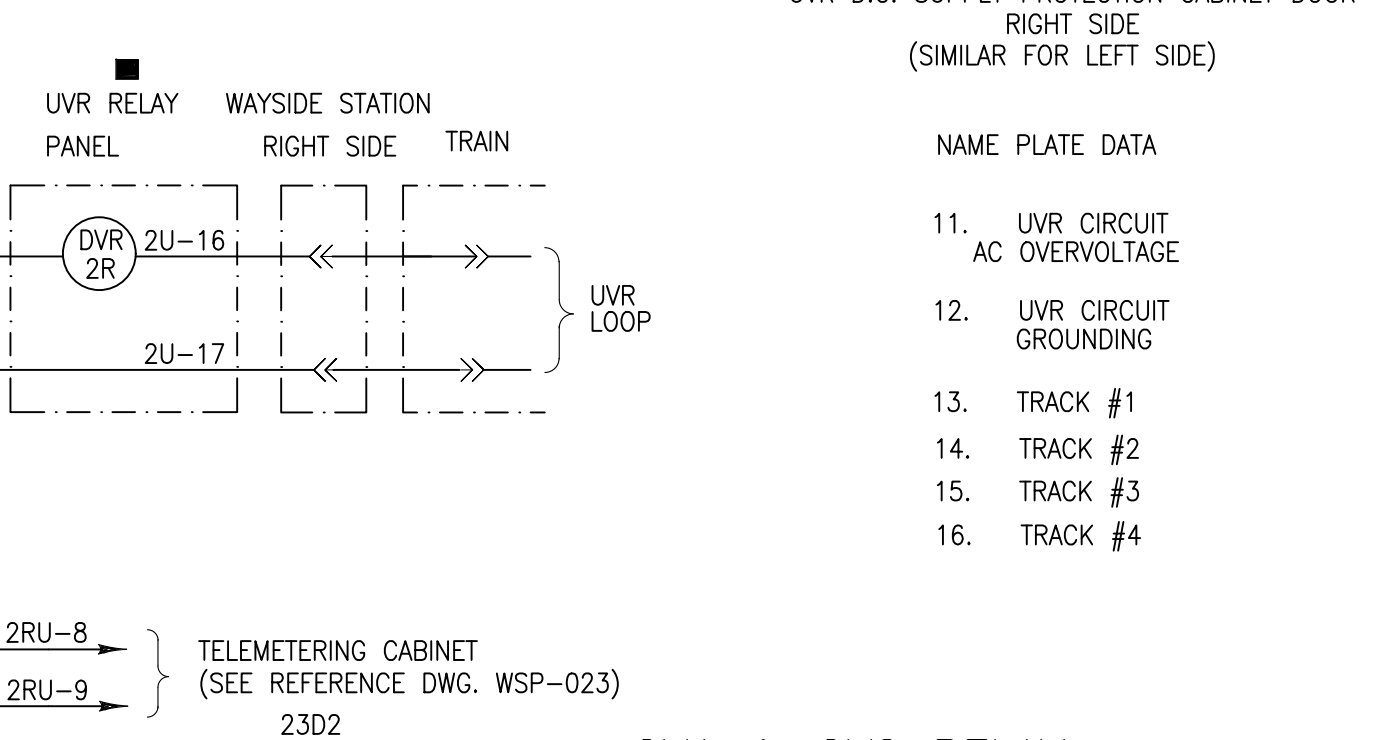
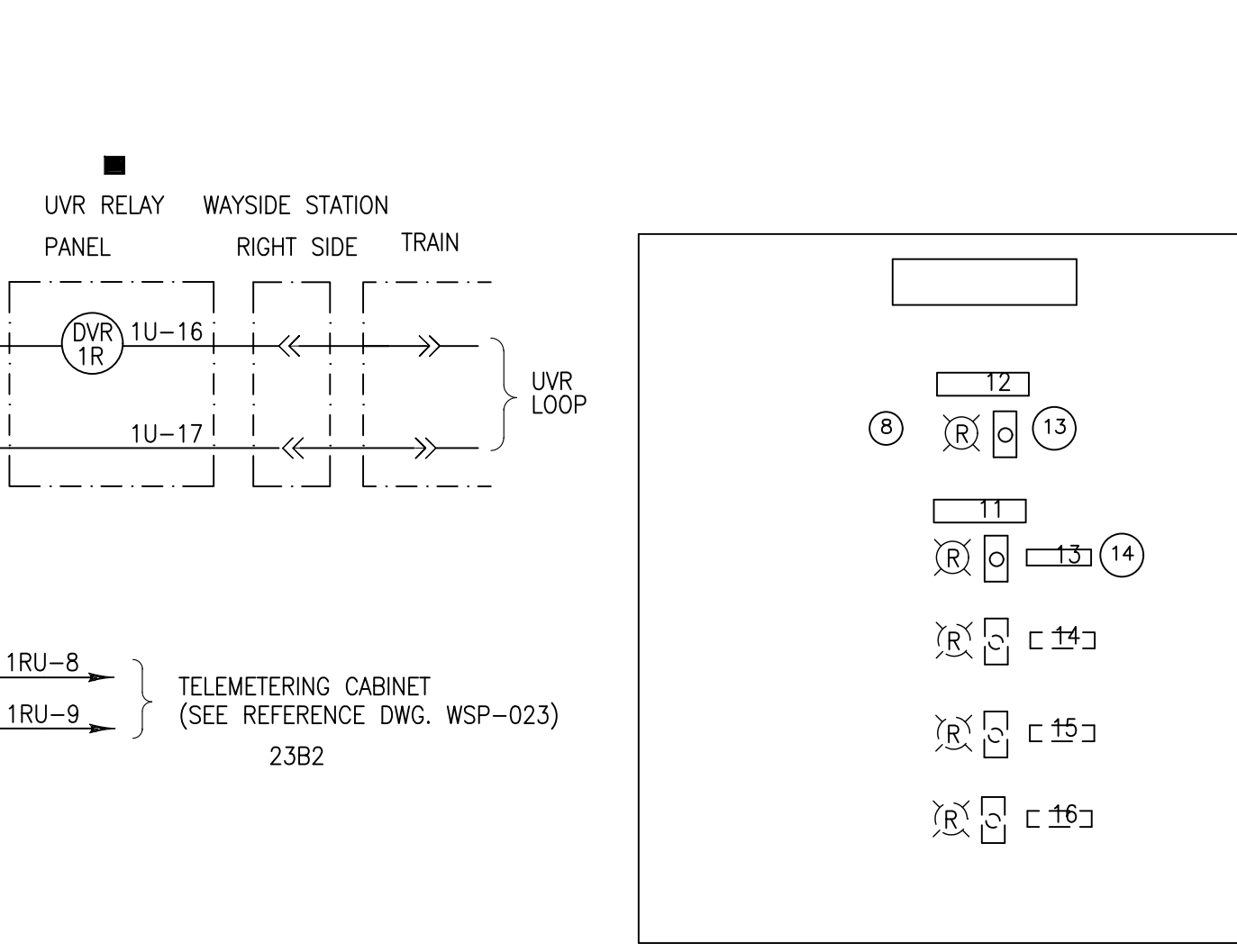
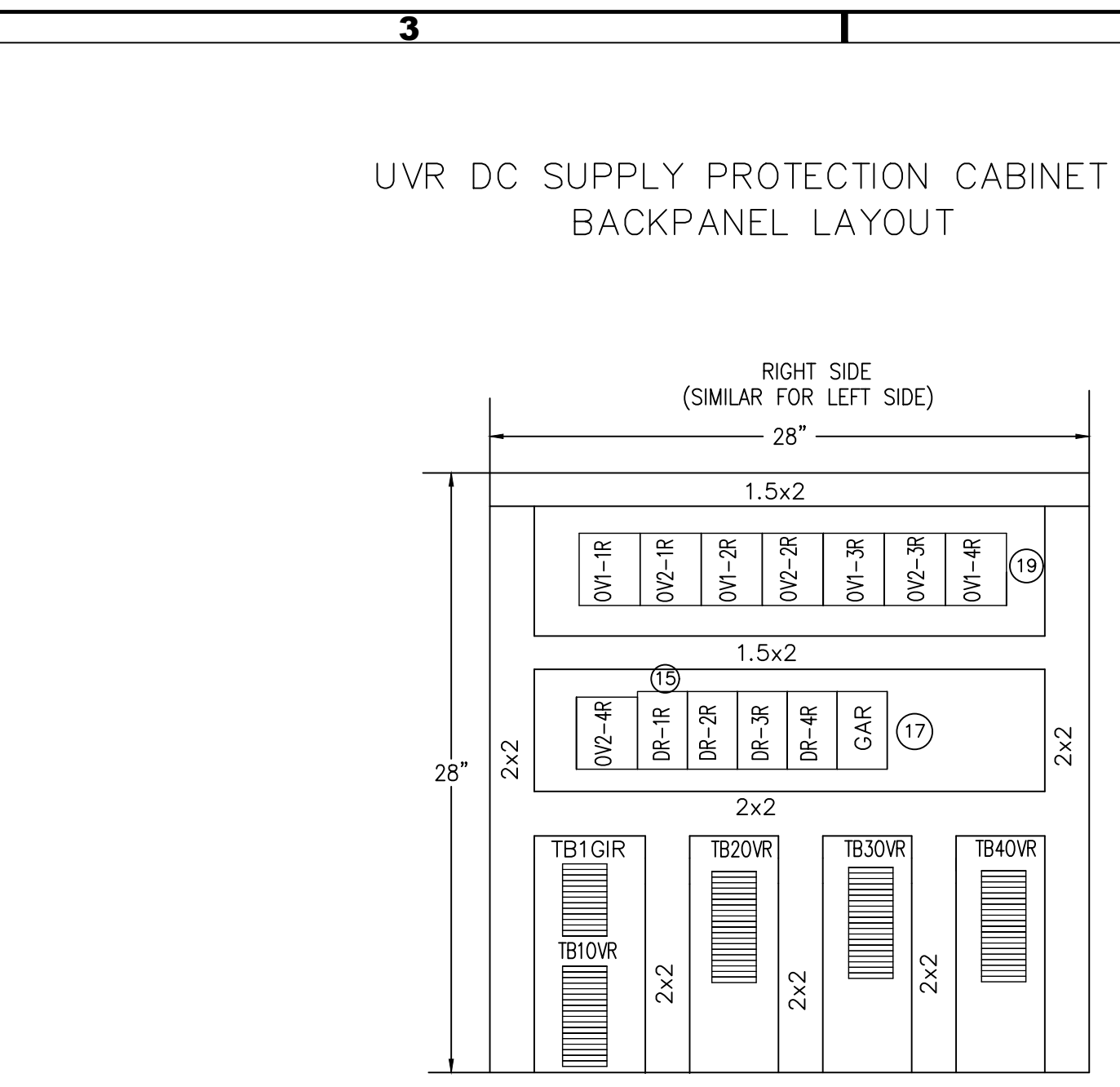
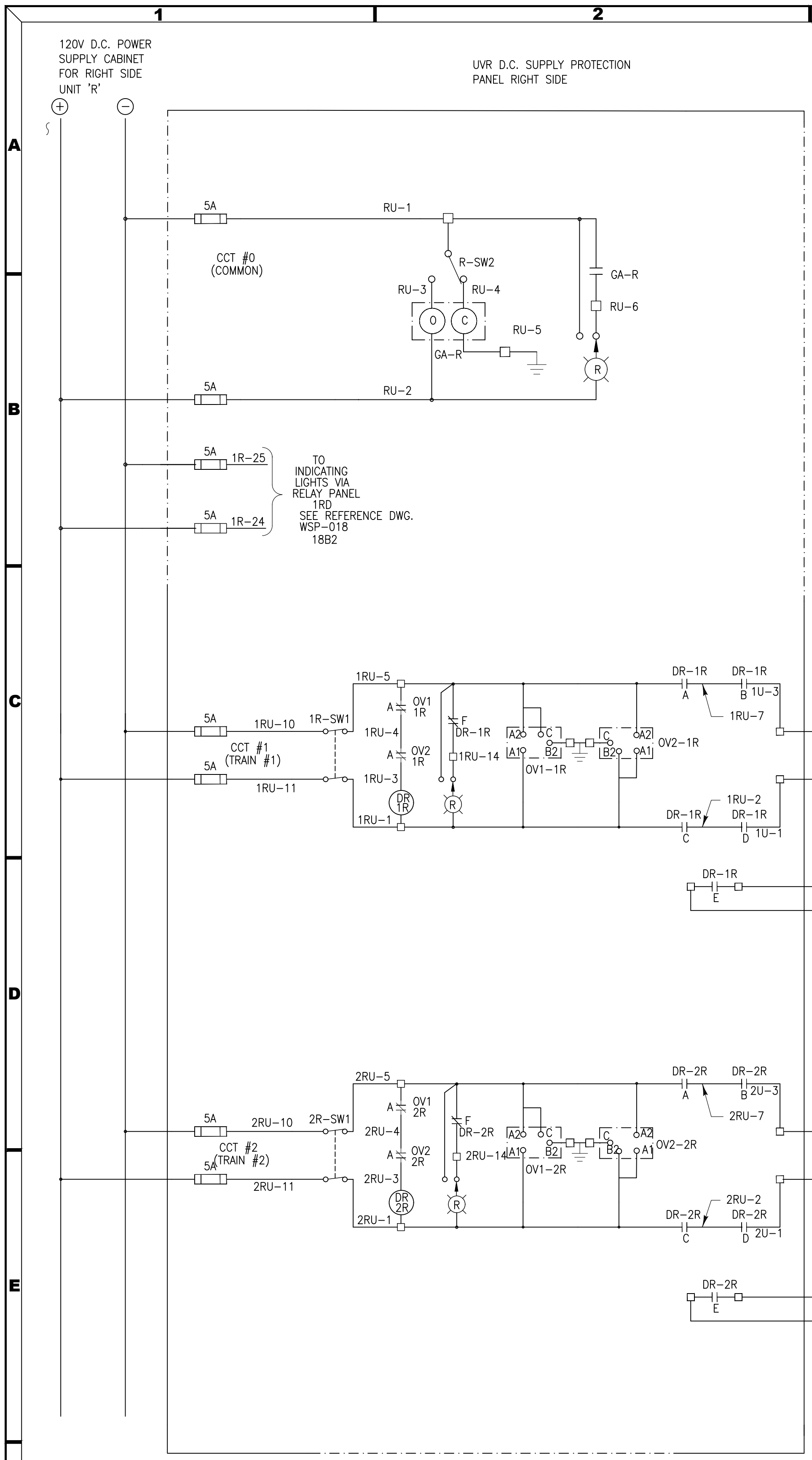


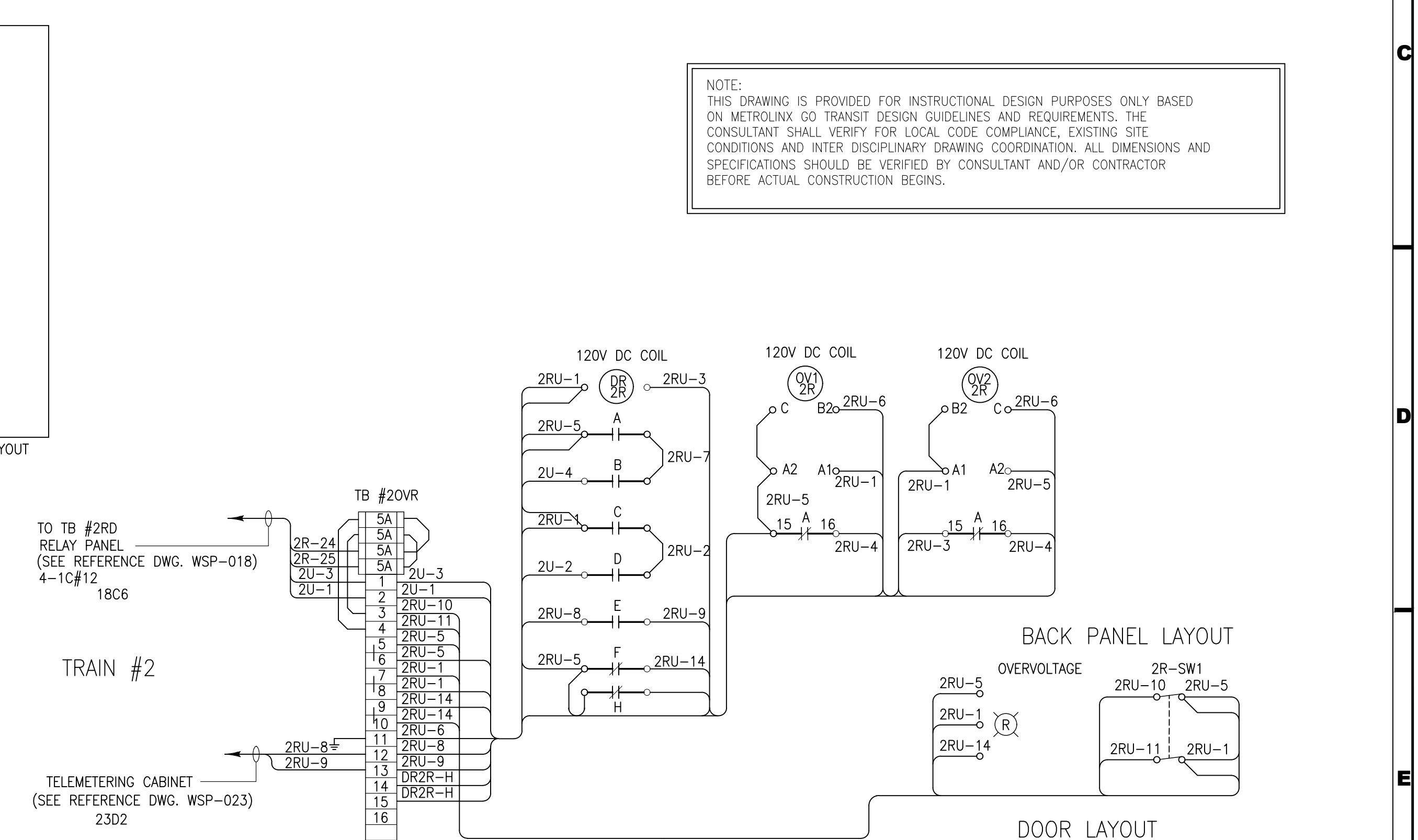
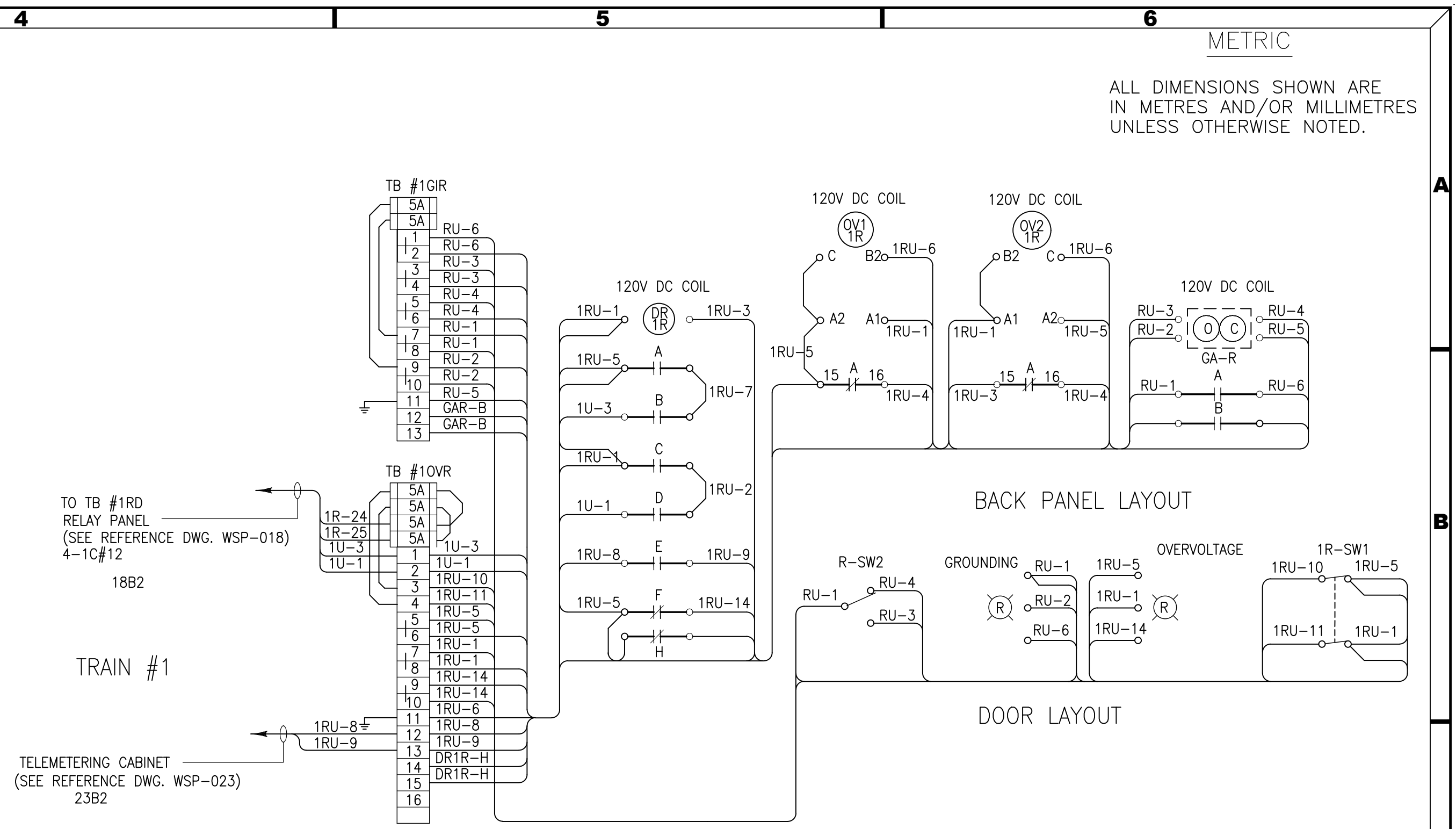
ALL DIMENSIONS SHOWN ARE IN METRES AND/OR MILLIMETRES UNLESS OTHERWISE NOTED.



- NAME PLATE DATA
- 11. UVR CIRCUIT AC OVERVOLTAGE
 - 12. UVR CIRCUIT GROUNDING
 - 13. TRACK #1
 - 14. TRACK #2
 - 15. TRACK #3
 - 16. TRACK #4

OV1 & OV2 RELAY SETTINGS

u%: 70
 Hys: 30
 R: 100
 Function: >1



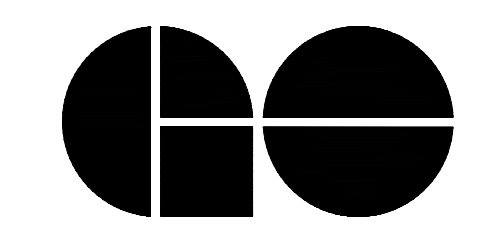
NOTE: THIS DRAWING IS PROVIDED FOR INSTRUCTIONAL DESIGN PURPOSES ONLY BASED ON METROLINK GO TRANSIT DESIGN GUIDELINES AND REQUIREMENTS. THE CONSULTANT SHALL VERIFY FOR LOCAL CODE COMPLIANCE, EXISTING SITE CONDITIONS AND INTER DISCIPLINARY DRAWING COORDINATION. ALL DIMENSIONS AND SPECIFICATIONS SHOULD BE VERIFIED BY CONSULTANT AND/OR CONTRACTOR BEFORE ACTUAL CONSTRUCTION BEGINS.

- GENERAL NOTES:
1. CONSULTANTS ARE TO REVIEW ALL WIRE SIZING TO TAKE INTO ACCOUNT; DERATING AND 3% MAXIMUM VOLTAGE DROP FACTORS. WIRE SIZES ARE SUGGESTIONS ONLY!
 2. COMPONENT CROSS REFERENCES SHOWN AS: XXXY WHERE "XX" REPRESENTS FINAL 2 DIGITS OF REFERENCE DRAWING # AND "YY" REPRESENTS QUADRANT LOCATION ON DWG. I.E. 02C1 = EDD-W1-002 QUAD. C1
 3. REFER TO ELECTRIFICATION STANDARDS AND SPECIFICATIONS FOR GROUNDING AND BONDING, EMI/EMF WITHSTAND REQUIREMENTS, CABLING REQUIREMENTS.

GO TRANSIT PROJECT NO. XXXXX

REFERENCE DRAWINGS		ISSUE		REVISIONS	
DWG. NO.	TITLE	REV.	DATE	ISSUED FOR	REV. DATE

DRAWN BY:	DESIGNED BY:
CHECKED BY:	APPROVED BY:
SCALE: N.T.S.	FULL SIZE ONLY



A Division of Metrolink

XXXXXX WAYSIDE POWER UVR DC. SUPPLY CIRCUIT PROTECTION RIGHT SIDE 1 OF 2			
CONTRACT NO. XXXXXXXXXXXX	DWG. NO. WSP-021	REV. 5	SHEET XX