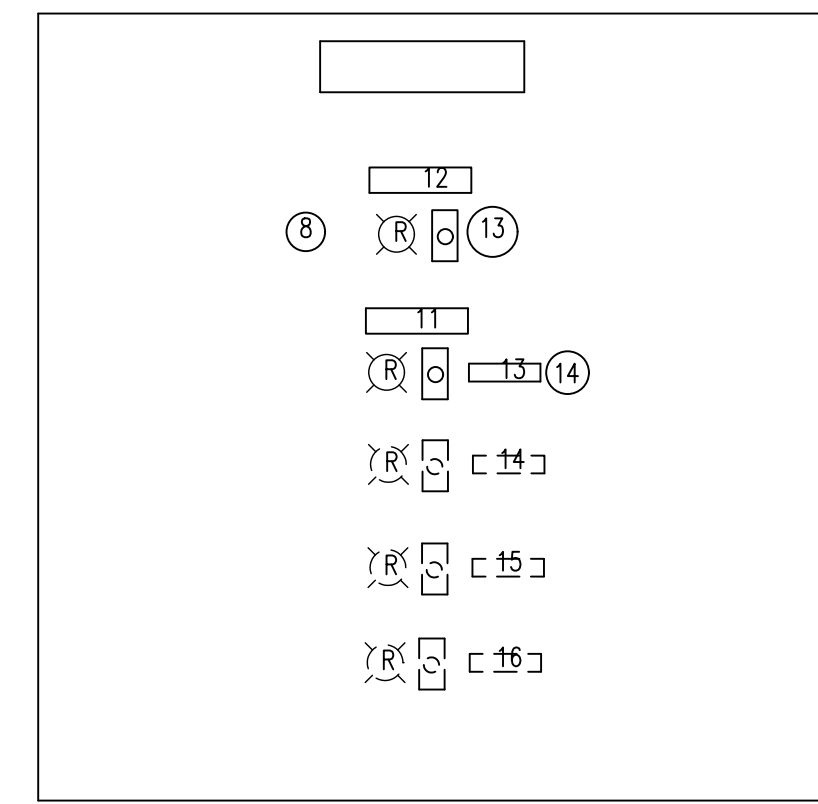
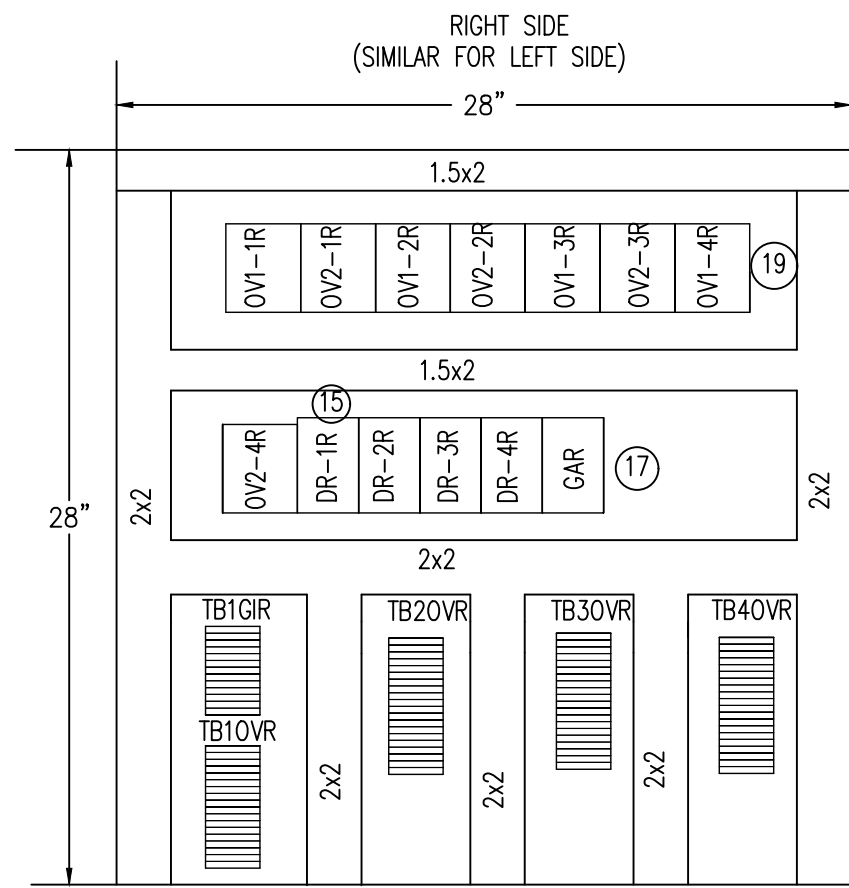
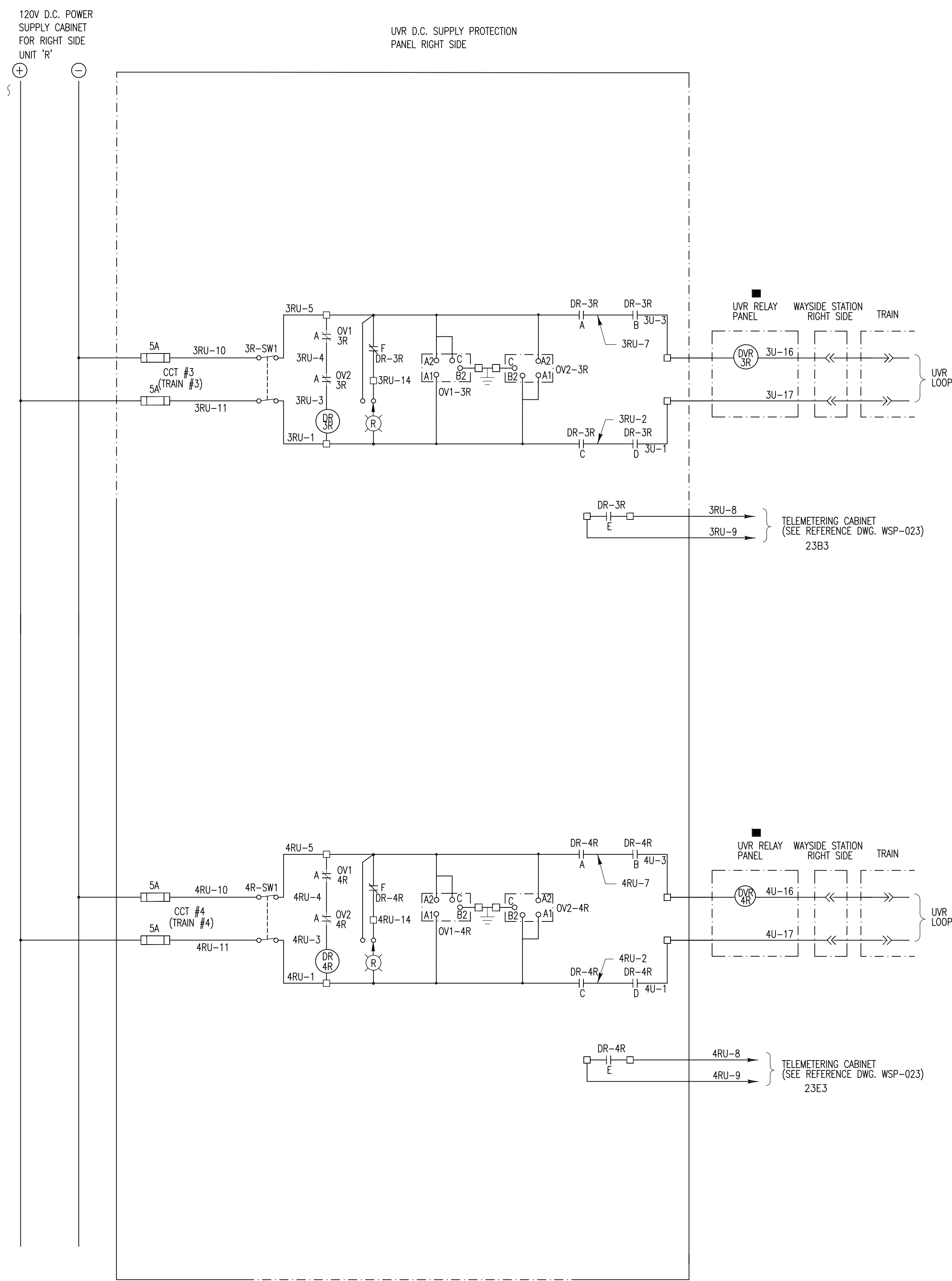


METRIC

ALL DIMENSIONS SHOWN ARE IN METRES AND/OR MILLIMETRES UNLESS OTHERWISE NOTED.

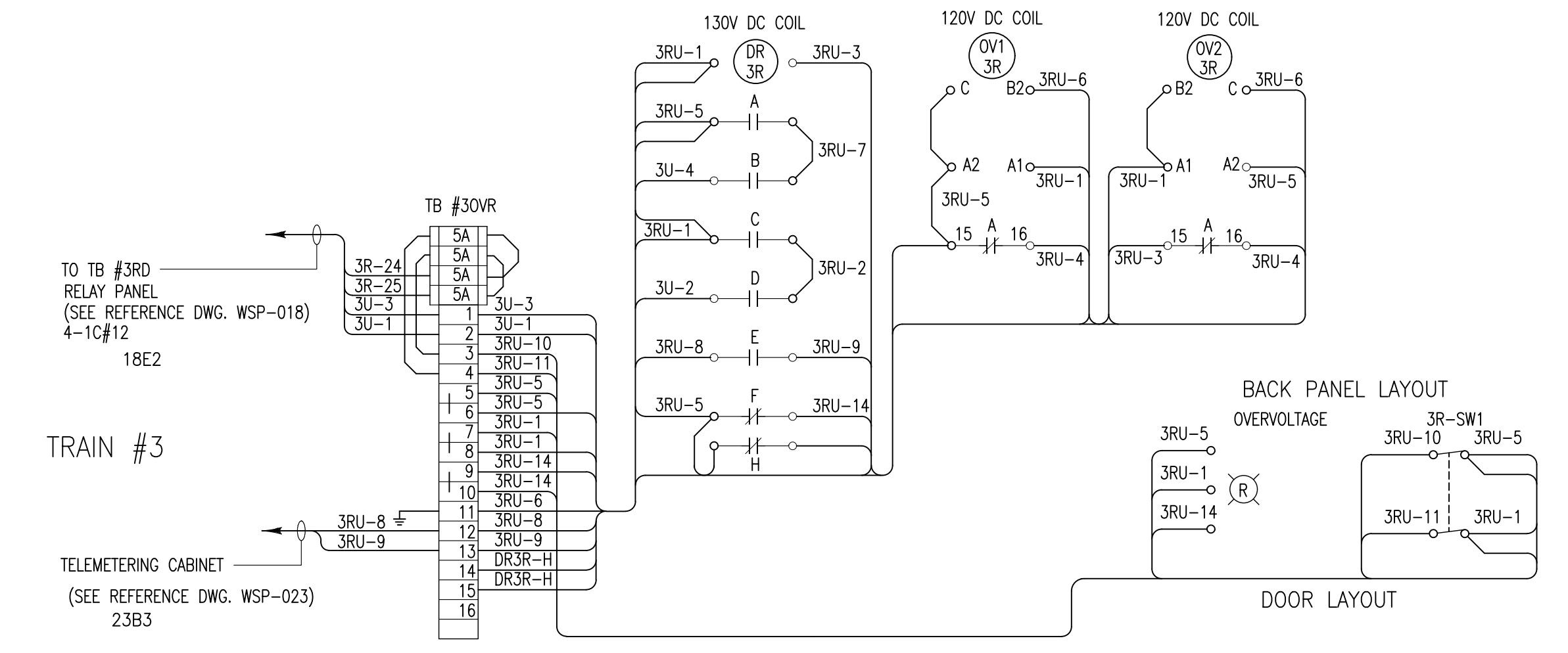
UVR DC SUPPLY PROTECTION CABINET BACKPANEL LAYOUT



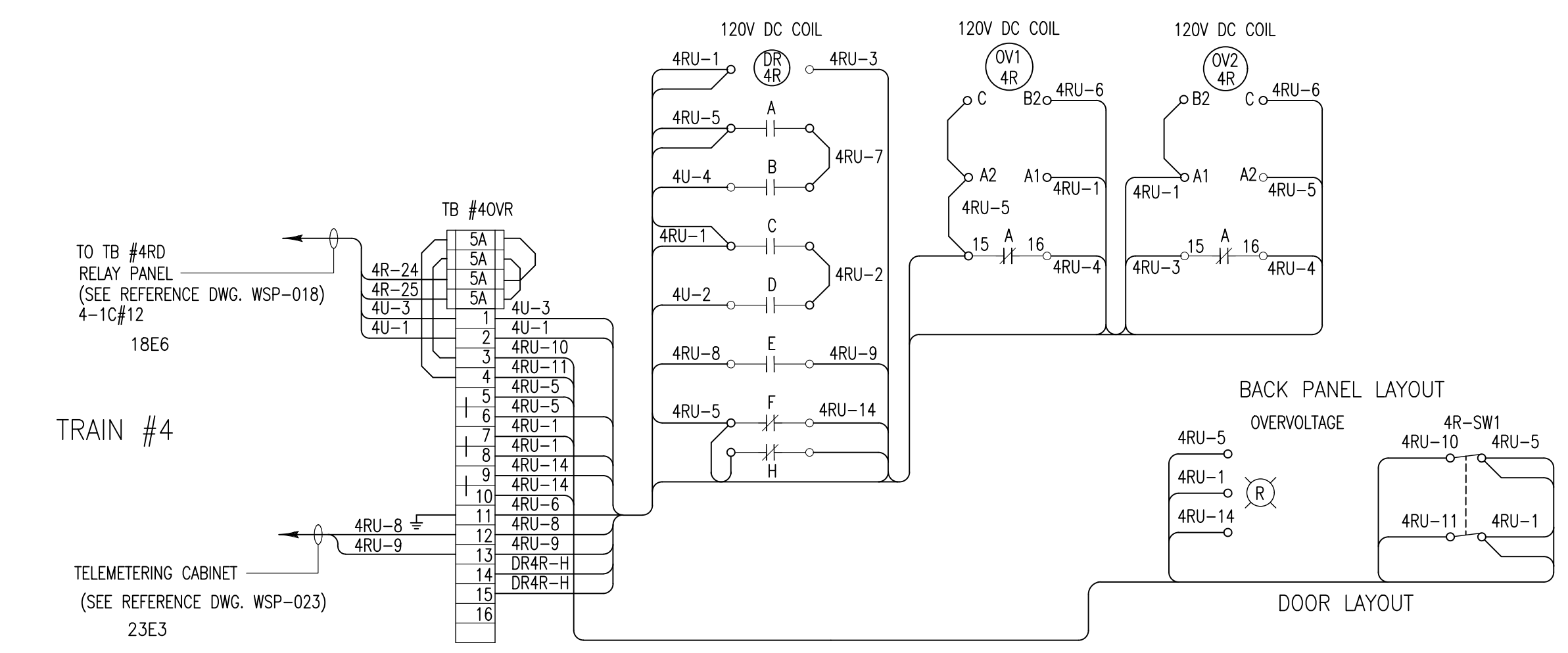
- NAME PLATE DATA
- 11. UVR CIRCUIT AC OVERVOLTAGE
 - 12. UVR CIRCUIT GROUNDING
 - 13. TRACK #1
 - 14. TRACK #2
 - 15. TRACK #3
 - 16. TRACK #4

OV1 & OV2 RELAY SETTINGS

u%: 70
 Hys: 30
 R: 100
 Function: >1



NOTE:
 THIS DRAWING IS PROVIDED FOR INSTRUCTIONAL DESIGN PURPOSES ONLY BASED ON METROLINX GO TRANSIT DESIGN GUIDELINES AND REQUIREMENTS. THE CONSULTANT SHALL VERIFY FOR LOCAL CODE COMPLIANCE, EXISTING SITE CONDITIONS AND INTER DISCIPLINARY DRAWING COORDINATION. ALL DIMENSIONS AND SPECIFICATIONS SHOULD BE VERIFIED BY CONSULTANT AND/OR CONTRACTOR BEFORE ACTUAL CONSTRUCTION BEGINS.



- GENERAL NOTES:
- CONSULTANTS ARE TO REVIEW ALL WIRE SIZING TO TAKE INTO ACCOUNT; DERATING AND 3% MAXIMUM VOLTAGE DROP FACTORS. WIRE SIZES ARE SUGGESTIONS ONLY!
 - COMPONENT CROSS REFERENCES SHOWN AS: XXXX WHERE "XX" REPRESENTS FINAL 2 DIGITS OF REFERENCE DRAWING # AND "YY" REPRESENTS QUADRANT LOCATION ON DWG. I.E. 02C1 = WSP-002 QUAD. C1
 - REFER TO ELECTRIFICATION STANDARDS AND SPECIFICATIONS FOR GROUNDING AND BONDING, EMI/EMF WITHSTAND REQUIREMENTS, CABLING REQUIREMENTS.

GO TRANSIT PROJECT NO. XXXXX

Aug 15/18 12:28pm
 AutoCAD drawing: WSP-022.dwg

REF. NO.	TITLE	REV.	DATE	ISSUED FOR
5	FEB. 2018			UPDATES AND ADDITIONS
4	DEC 2013			DISCLAIMER NOTE
3	MAR 2013			UPDATES AND ADDITIONS
2	JULY 2012			NOMENCLATURE REVISION
1	SEPT. 2010			GENERAL REVISIONS

DRAWN BY:	DESIGNED BY:
CHECKED BY:	APPROVED BY:
SCALE: N.T.S.	FULL SIZE ONLY



XXXXXX WAYSIDE POWER UVR DC SUPPLY PROTECTION PANEL RIGHT SIDE 2 OF 2			
CONTRACT NO. XXXXXXXXXXXX	DWG. NO. WSP-022	REV. 5	SHEET XX