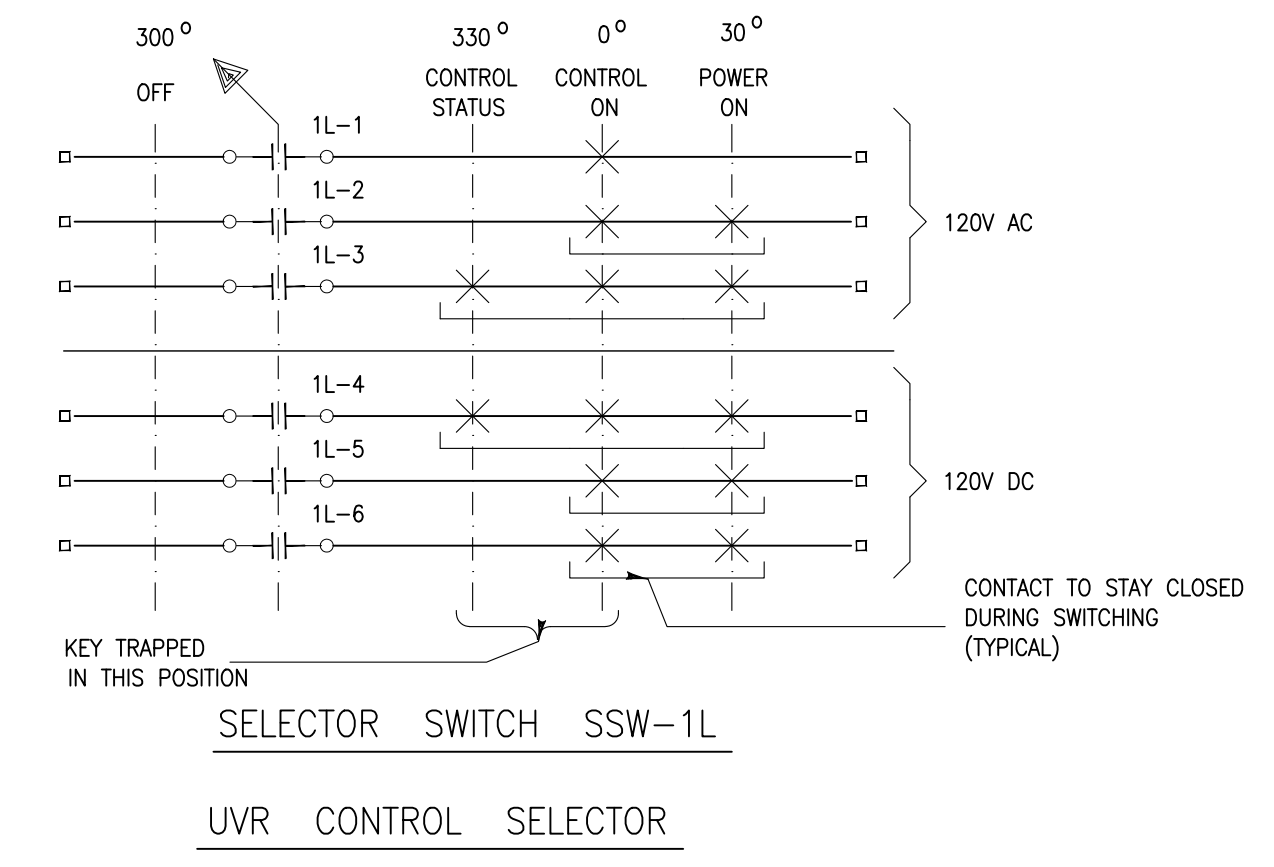
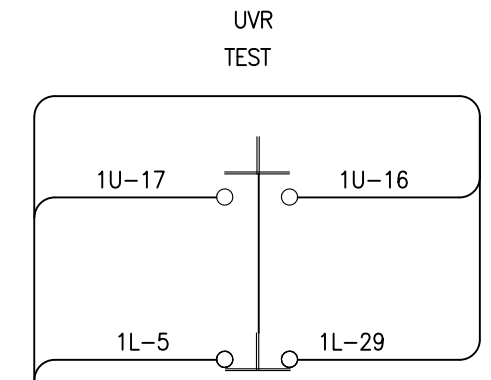
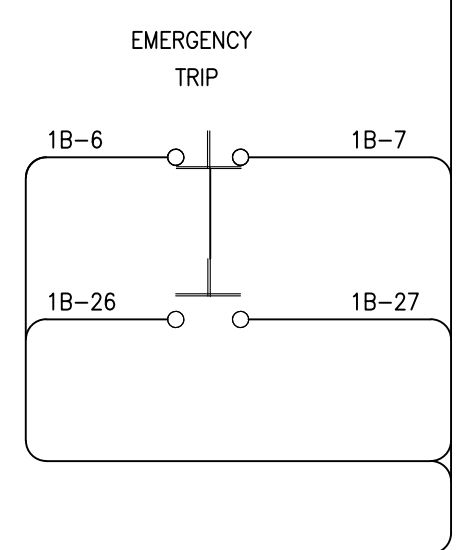
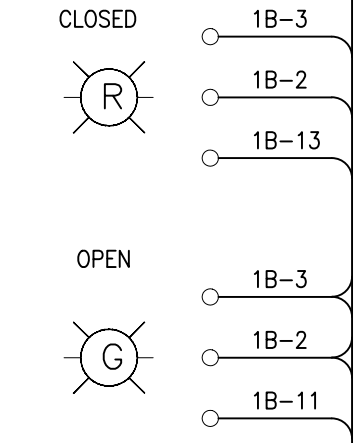
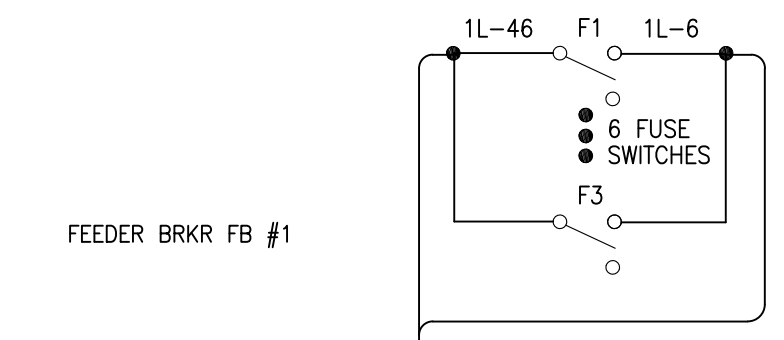
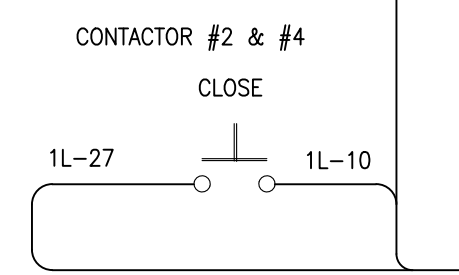
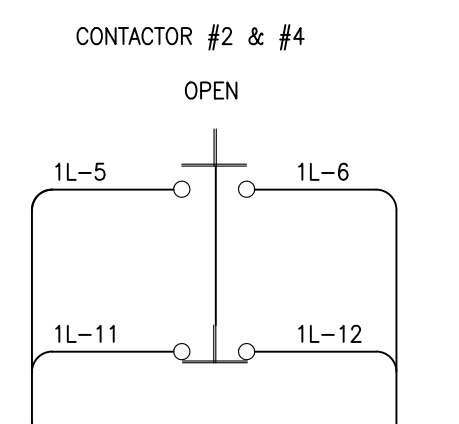
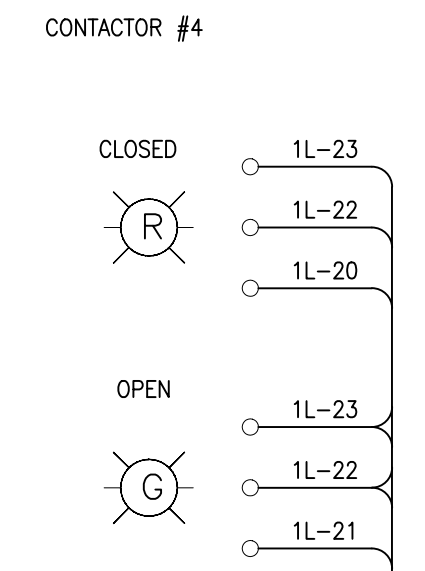
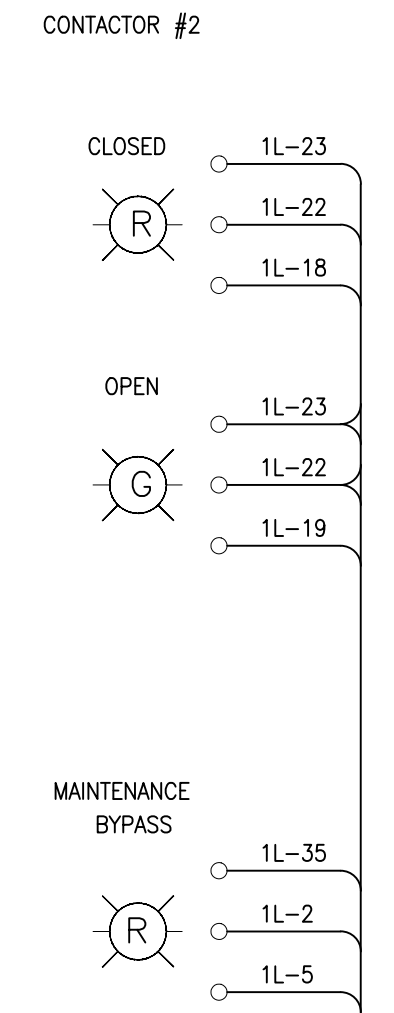
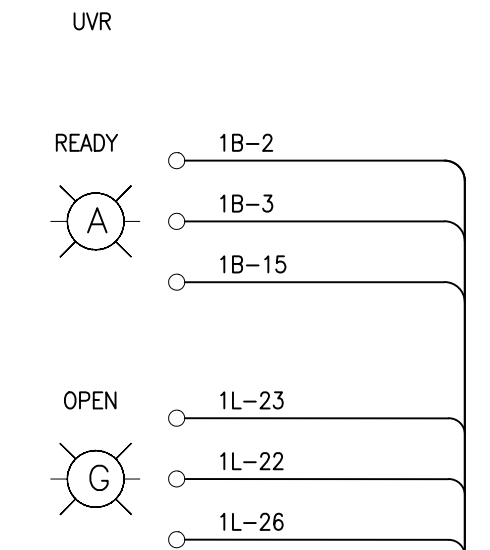
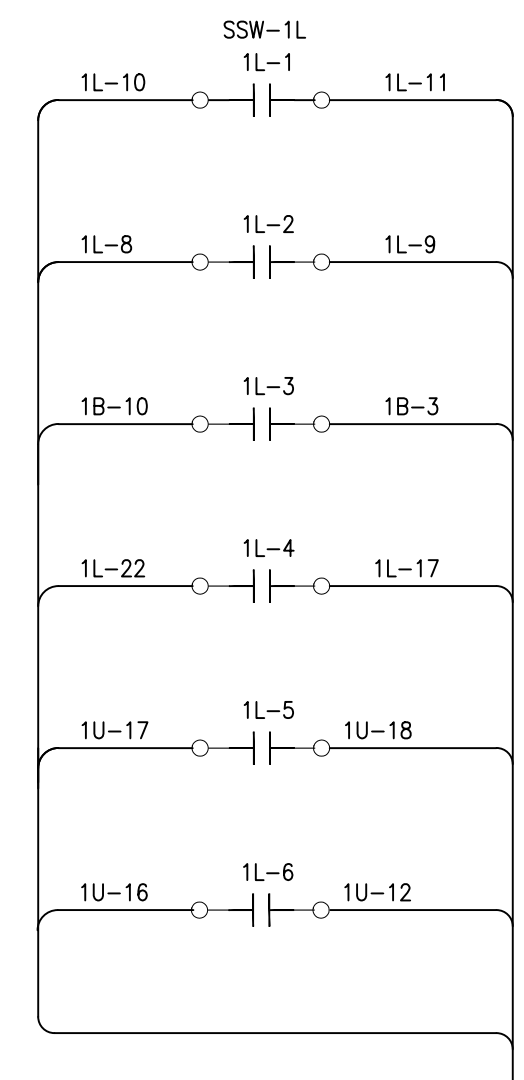
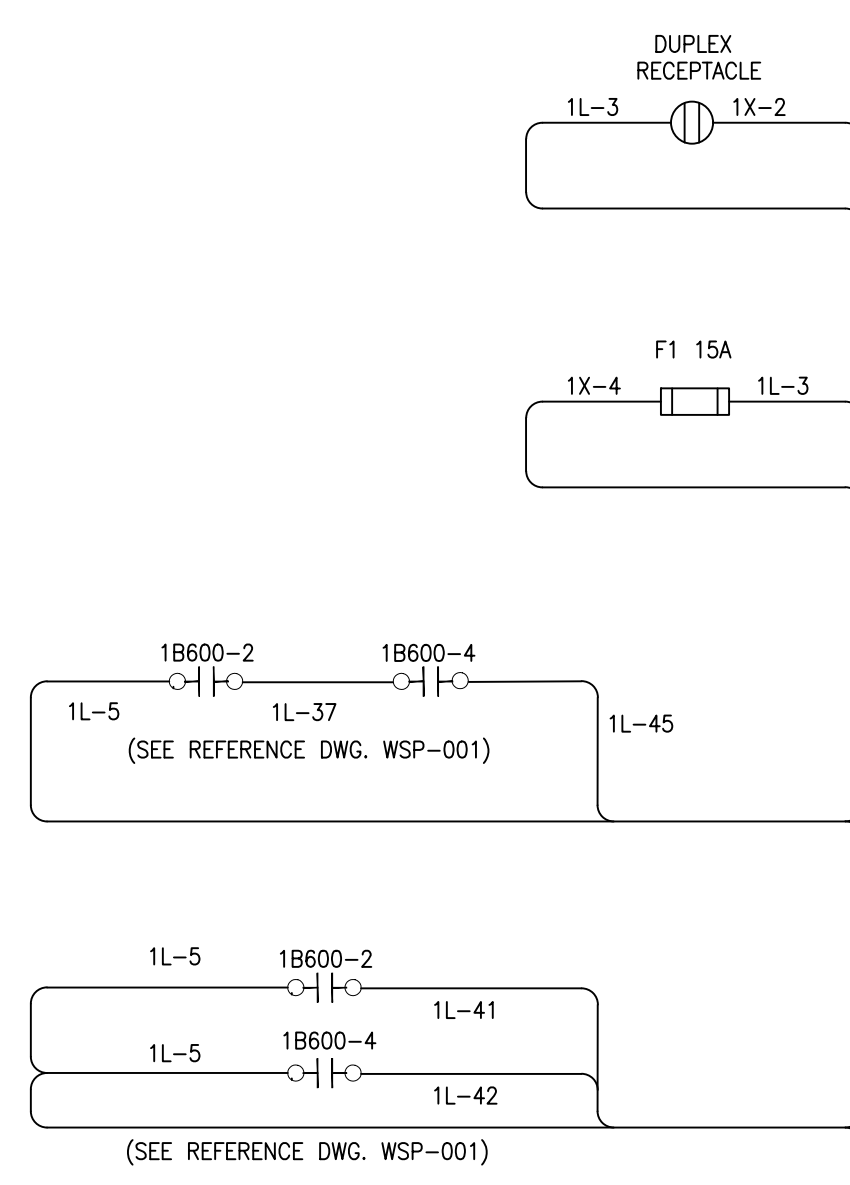


ALL DIMENSIONS SHOWN ARE IN METRES AND/OR MILLIMETRES UNLESS OTHERWISE NOTED.

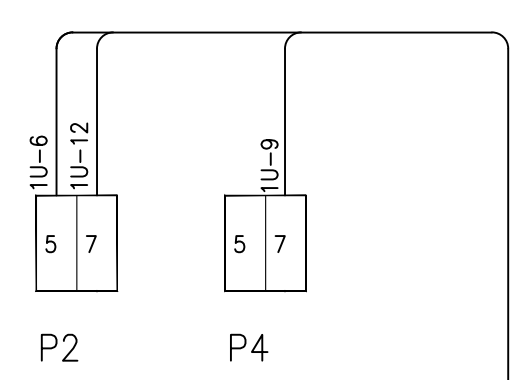
TRACK SIDE – WAYSIDE CABINET LEFT SIDE HIGH VOLTAGE POWER PANEL

TRACK SIDE – WAYSIDE CABINET LEFT SIDE CONTROL PANEL

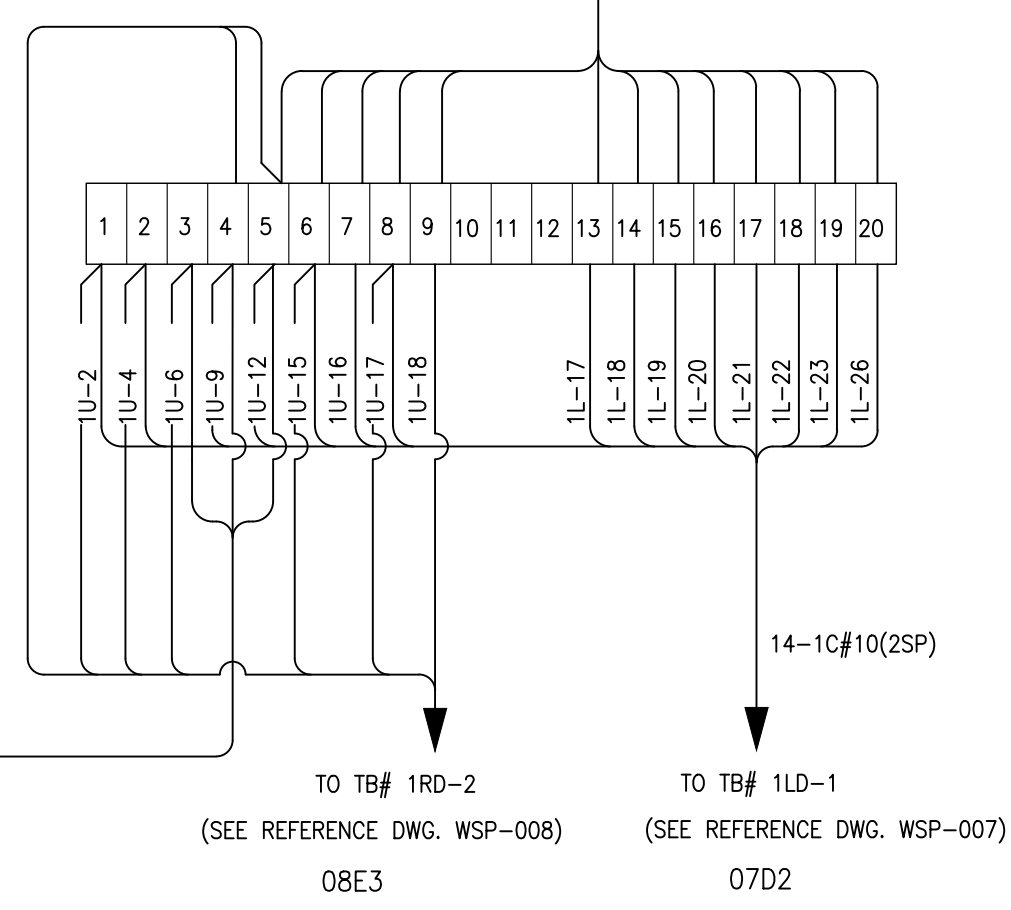
- GENERAL NOTES:
- CONSULTANTS ARE TO REVIEW ALL WIRE SIZING TO TAKE INTO ACCOUNT; DERATING AND 3% MAXIMUM VOLTAGE DROP FACTORS. WIRE SIZES ARE SUGGESTIONS ONLY.
  - COMPONENT CROSS REFERENCES SHOWN AS: XXXY WHERE "XX" REPRESENTS FINAL 2 DIGITS OF REFERENCE DRAWING # AND "YY" REPRESENTS QUADRANT LOCATION ON DWG. I.E. 02C1 = WSP-002 QUAD. C1
  - REFER TO ELECTRIFICATION STANDARDS AND SPECIFICATIONS FOR GROUNDING AND BONDING, EMI/EMF WITHSTAND REQUIREMENTS, CABLING REQUIREMENTS.



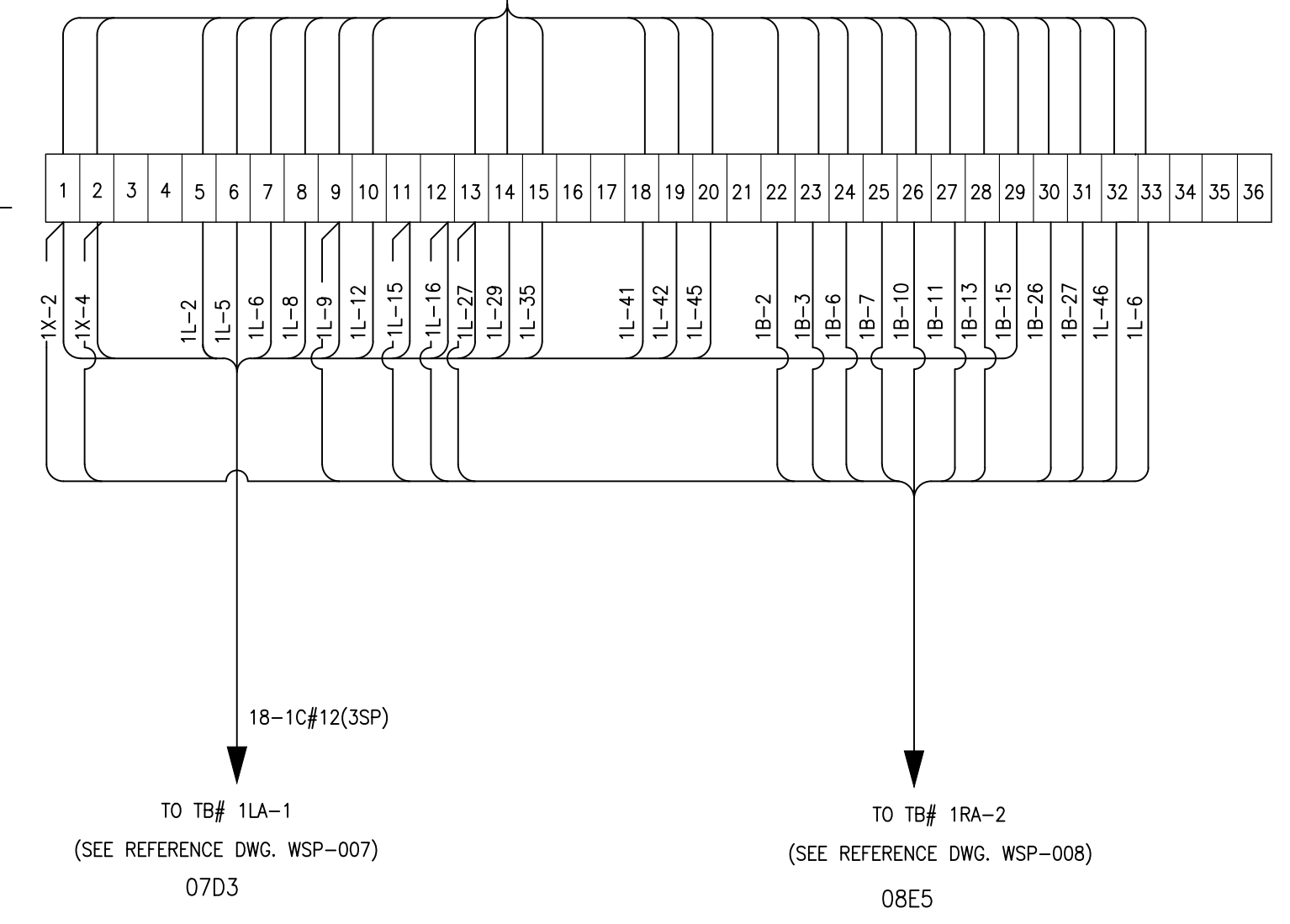
NOTE: THIS DRAWING IS PROVIDED FOR INSTRUCTIONAL DESIGN PURPOSES ONLY BASED ON METROLINX GO TRANSIT DESIGN GUIDELINES AND REQUIREMENTS. THE CONSULTANT SHALL VERIFY FOR LOCAL CODE COMPLIANCE, EXISTING SITE CONDITIONS AND INTER DISCIPLINARY DRAWING COORDINATION. ALL DIMENSIONS AND SPECIFICATIONS SHOULD BE VERIFIED BY CONSULTANT AND/OR CONTRACTOR BEFORE ACTUAL CONSTRUCTION BEGINS.



TB# 1LD-2



TB# 1LA-2



GO TRANSIT PROJECT NO. XXXXX

REFERENCE DRAWINGS	ISSUE	REVISIONS	DRAWN BY:	DESIGNED BY:		
WSP-011	EQUIPMENT ARRANGEMENT 1 OF 3					
		5 FEB 2018 UPDATES AND ADDITIONS	CHECKED BY:	APPROVED BY:		
		4 DEC 2013 DISCLAIMER NOTE				
		3 MAR 2013 UPDATES AND ADDITIONS	SCALE: N.T.S.	FULL SIZE ONLY		
		2 JULY 2012 NOMENCLATURE REVISION				
		1 SEPT.2010 GENERAL REVISIONS				
DWG NO.	TITLE	REV.	DATE	ISSUED FOR	REV.	DATE



A Division of Metrolinx

XXXXXX

WAYSIDE POWER

WAYSIDE CABINET – LEFT SIDE

WIRING DIAGRAM

CONTRACT NO. XXXXXXXXXX	DWG. NO. WSP-006	REV. 5	SHEET XX
----------------------------	---------------------	-----------	-------------

AutoCAD drawing: WSP-006.dwg Aug 15/18 12:26pm