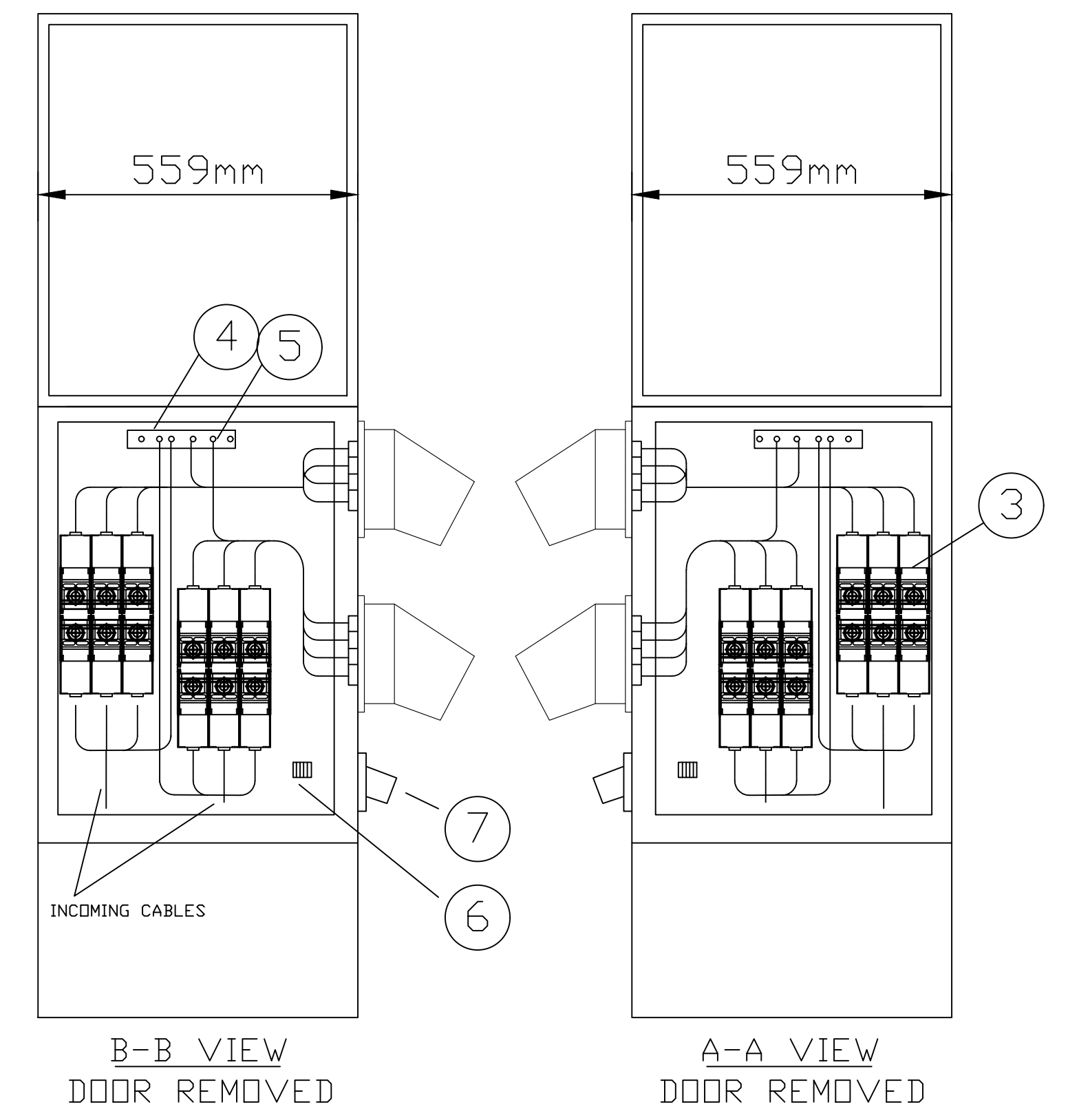
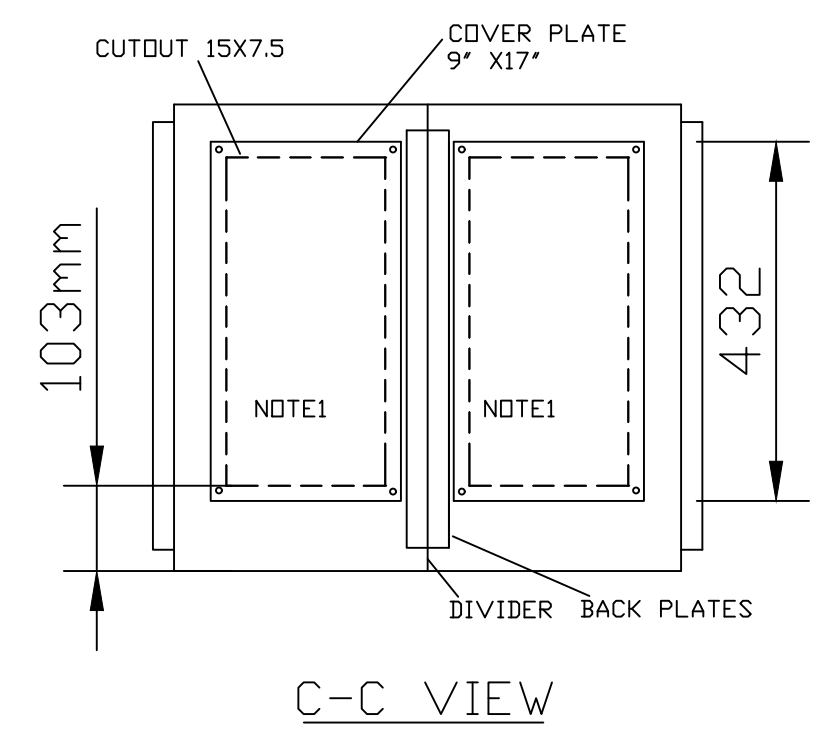
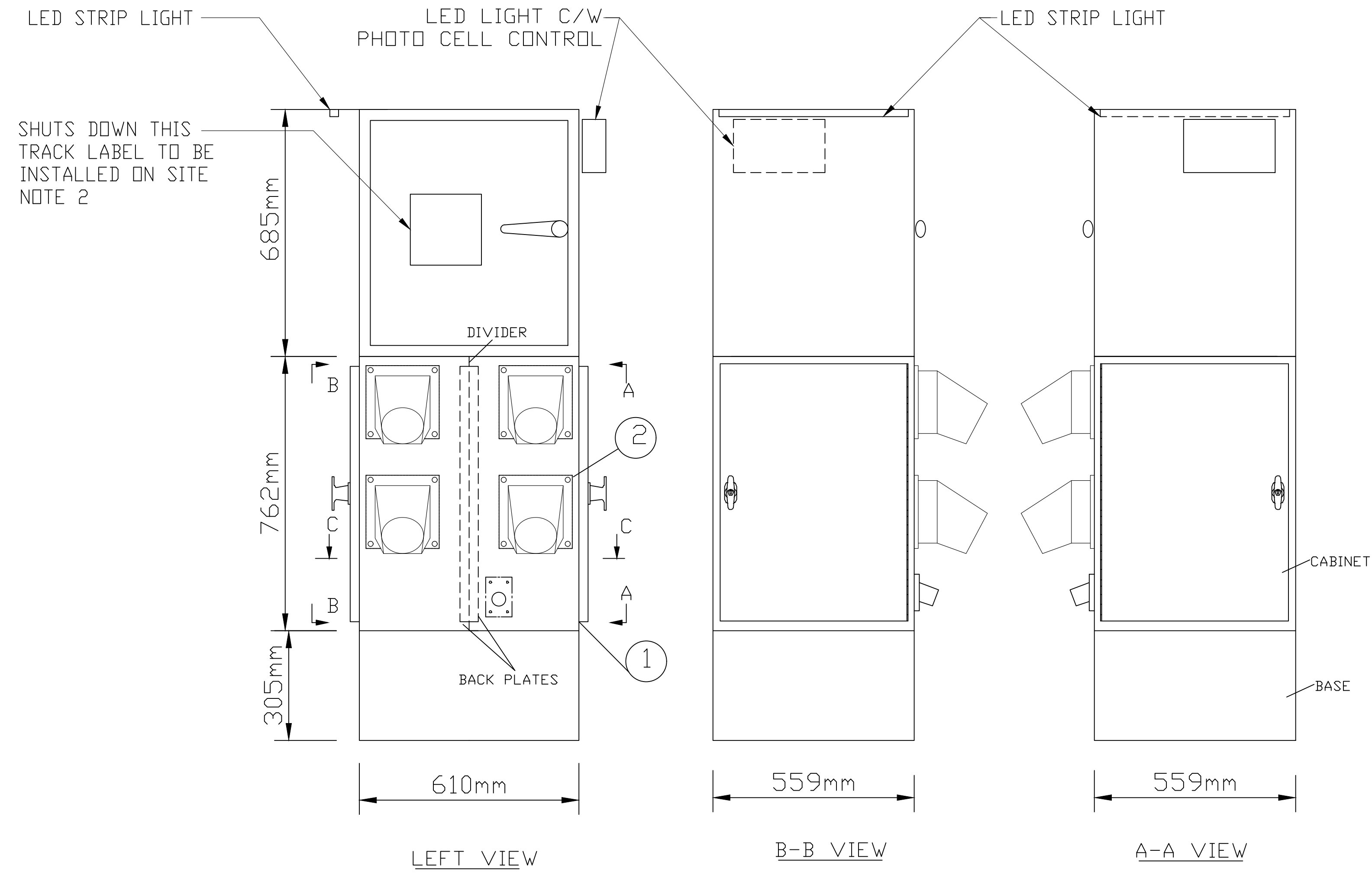


ALL DIMENSIONS SHOWN ARE IN METRES AND/OR MILLIMETRES UNLESS OTHERWISE NOTED.



BILL OF MATERIALS			
ITEM#	QTY	PART NUMBER	DESCRIPTION
1	1	ENCLOSURE	22" W x 42" H x 24" D SS ENCLOSURE 2 BACK MOUNTING PLATES LOCKABLE DOORS
2	4	CN-GTFC17-V118-V01 REV. A-575V	CLEMENTS, POWER PLUG ASSEMBLY, 600V
3	12	WFF 300AH	WEIDMULLER TERMINALS
4	2	COPPER BAR 1/4" X2" X8"	COPPER BAR, MOUNTED ON BACK PLATE
5	8	TA-500	ILSCO, 4/O LUGS
6	12	SAK4	WEIDMULLER TERMINAL BLOCKS,
7	1		CONTROL RECEPTACLE

- NOTE**
- CONTRACTOR TO CUT HOLES IN COVER PLATES TO MATCH INCOMING CONDUITS
  - LABEL SUPPLIED AND INSTALLED BY CONTRACTOR

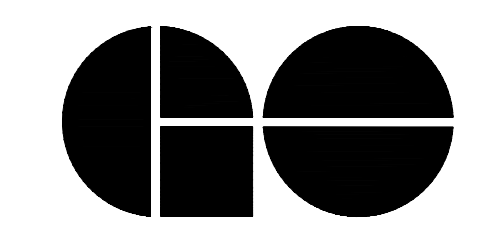
**GENERAL NOTE**

1. REFER TO ELECTRIFICATION STANDARDS AND SPECIFICATIONS FOR GROUNDING AND BONDING, EMI/EMF WITHSTAND REQUIREMENTS, CABLING REQUIREMENTS.

**NOTE:**  
THIS DRAWING IS PROVIDED FOR INSTRUCTIONAL DESIGN PURPOSES ONLY BASED ON METROLINX GO TRANSIT DESIGN GUIDELINES AND REQUIREMENTS. THE CONSULTANT SHALL VERIFY FOR LOCAL CODE COMPLIANCE, EXISTING SITE CONDITIONS AND INTER DISCIPLINARY DRAWING COORDINATION. ALL DIMENSIONS AND SPECIFICATIONS SHOULD BE VERIFIED BY CONSULTANT AND/OR CONTRACTOR BEFORE ACTUAL CONSTRUCTION BEGINS.

GO TRANSIT PROJECT NO. XXXXX

REFERENCE DRAWINGS		ISSUE		REVISIONS		DRAWN BY:	DESIGNED BY:
						CHECKED BY:	APPROVED BY:
						SCALE: N.T.S.	FULL SIZE ONLY
				0	FEB.2018	FIRST SUBMISSION	
DWG. NO.	TITLE	REV.	DATE	ISSUED FOR	REV.	DATE	



A Division of Metrolinx

XXXXXX WAYSIDE POWER WAYSIDE CABINET RECEPTACLE CABINET ELECTRICAL ARRANGEMENT			
CONTRACT NO. XXXXXXXXXXXX	DWG. NO. WSP-037	REV. 0	SHEET XX

AutoCAD drawing: WSP-037.DWG Aug 15/18 12:30pm