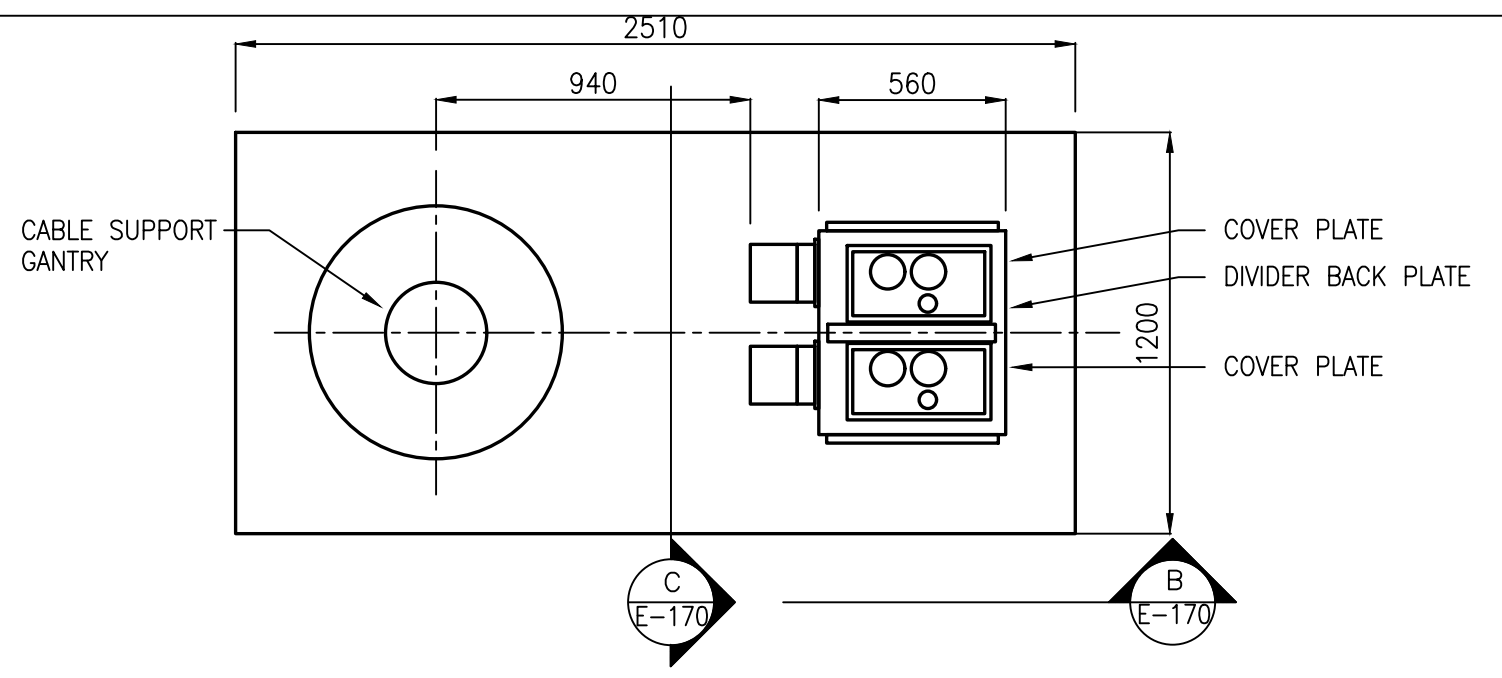


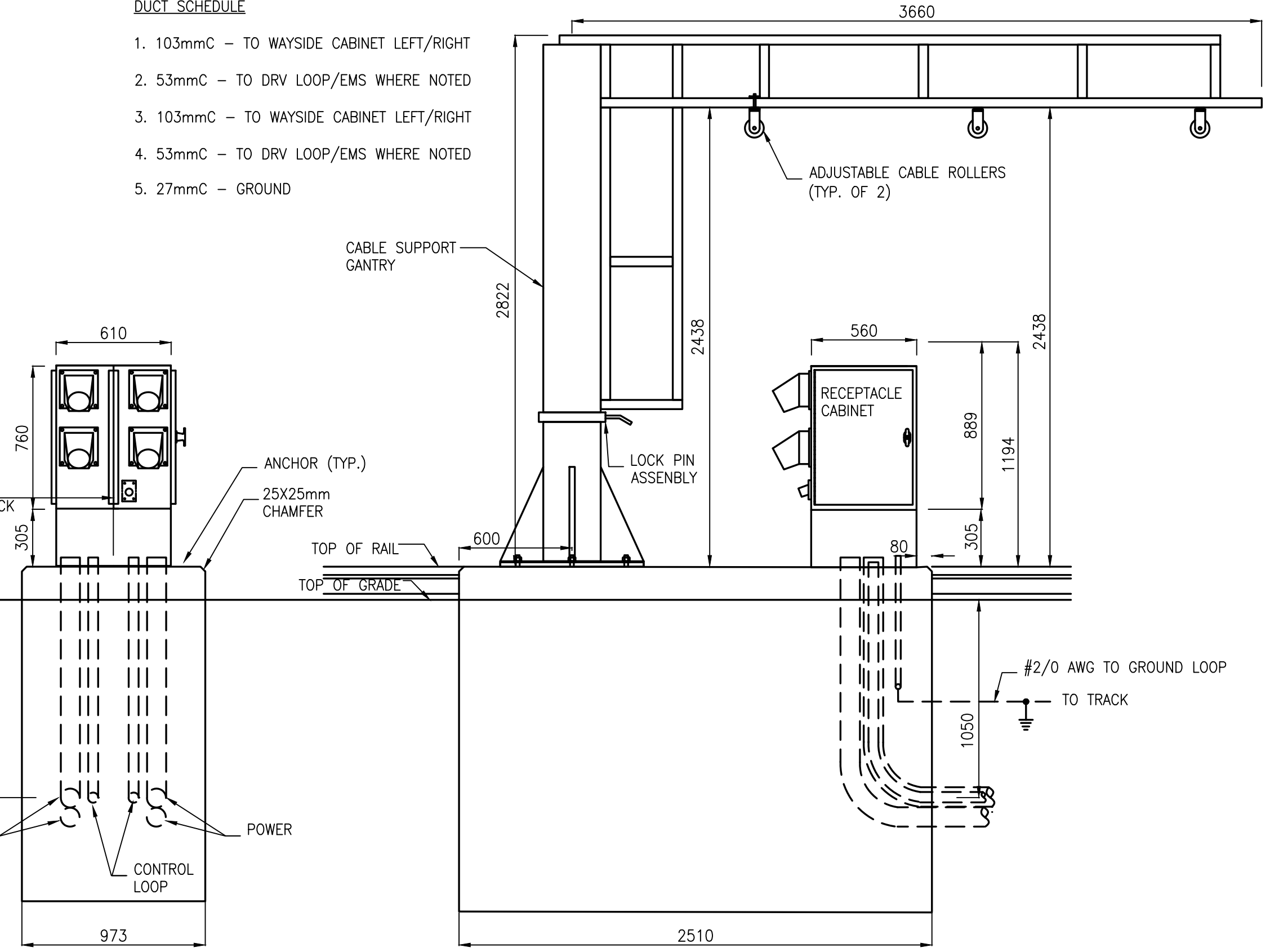
ALL DIMENSIONS SHOWN ARE IN METRES AND/OR MILLIMETRES UNLESS OTHERWISE NOTED.

GENERAL NOTE:  
1. REFER TO ELECTRIFICATION STANDARDS AND SPECIFICATIONS FOR GROUNDING AND BONDING, EMI/EMF WITHSTAND REQUIREMENTS, CABLING REQUIREMENTS.

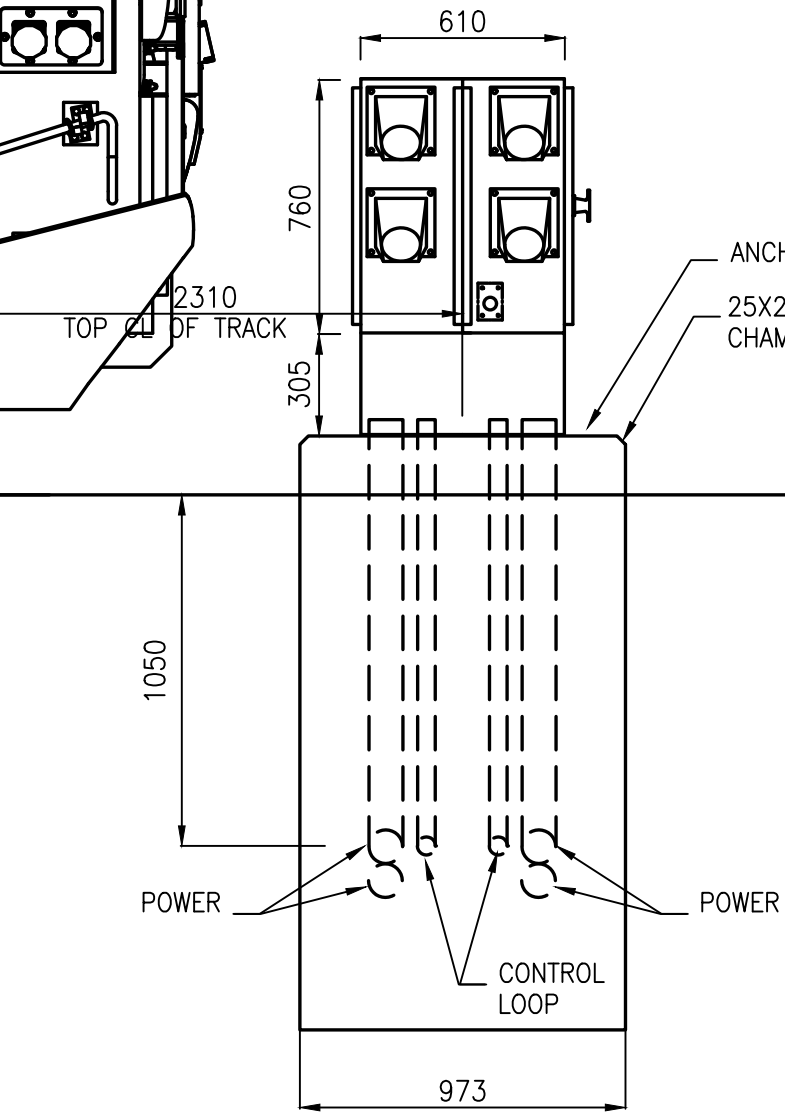


**A** WAYSIDE POWER - TRACK STORAGE CABINET PANEL  
E-170 1:20

- DUCT SCHEDULE**
- 103mmC - TO WAYSIDE CABINET LEFT/RIGHT
  - 53mmC - TO DRV LOOP/EMS WHERE NOTED
  - 103mmC - TO WAYSIDE CABINET LEFT/RIGHT
  - 53mmC - TO DRV LOOP/EMS WHERE NOTED
  - 27mmC - GROUND

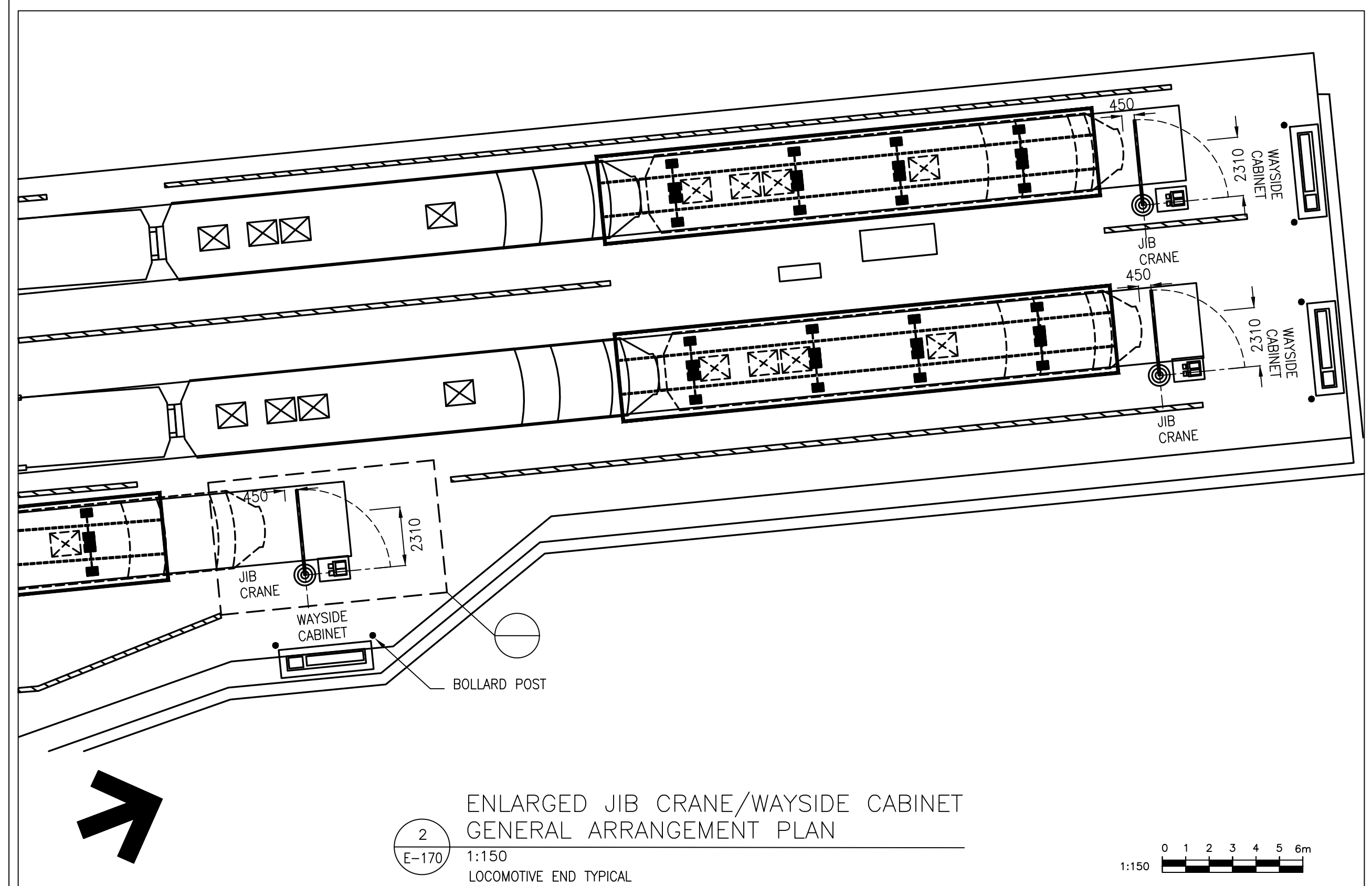
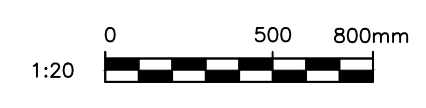


**B** WAYSIDE POWER - RECEPTACLE CABINET PANEL ELEVATION  
E-170 1:20

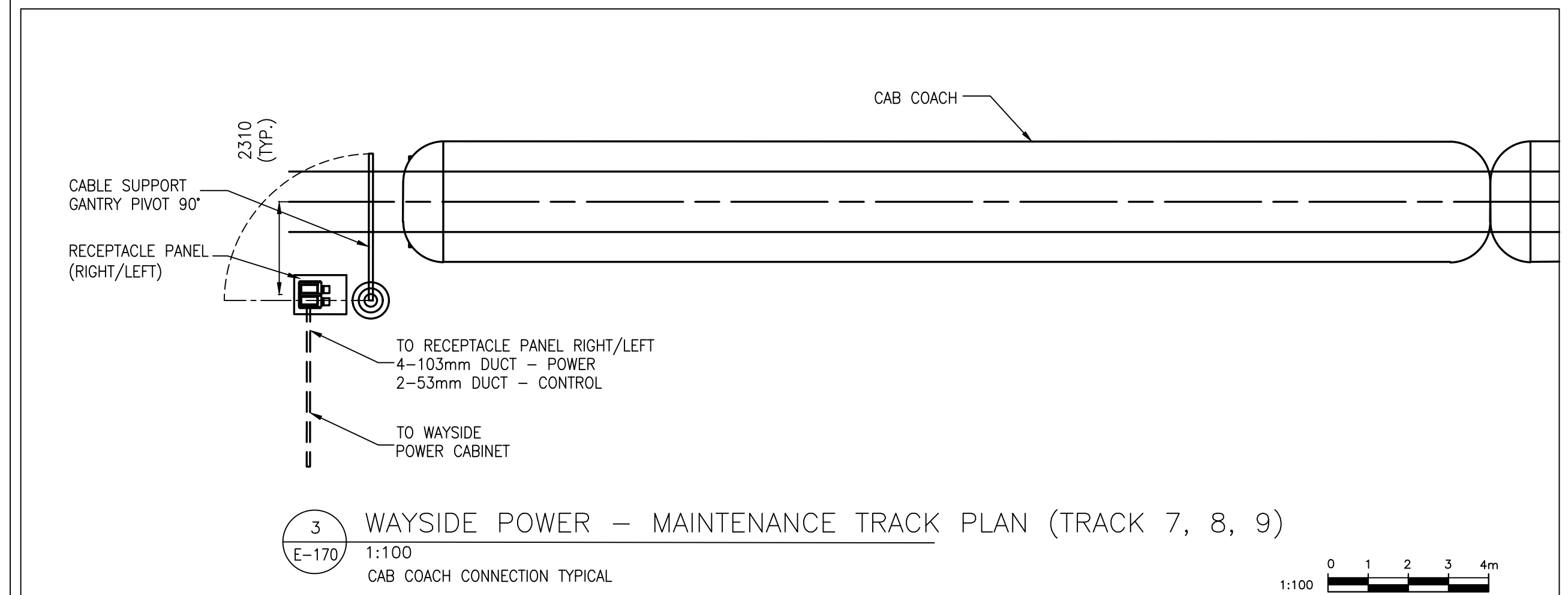
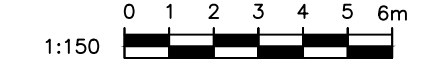


**C** WAYSIDE POWER - RECEPTACLE CABINET PANEL ELEVATION  
E-170 1:20

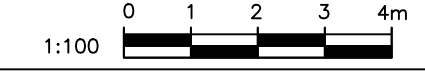
**1** WAYSIDE POWER - RECEPTACLE CABINET & CABLE GANTRY DETAIL OPTION 2  
E-170 1:20  
TO GO IN CONNECTION WITH WAYSIDE CABINETS WITHOUT PLUGS & STORAGE CABINETS



**2** ENLARGED JIB CRANE/WAYSIDE CABINET GENERAL ARRANGEMENT PLAN  
E-170 1:150  
LOCOMOTIVE END TYPICAL



**3** WAYSIDE POWER - MAINTENANCE TRACK PLAN (TRACK 7, 8, 9)  
E-170 1:100  
CAB COACH CONNECTION TYPICAL



NOTE:  
THIS DRAWING IS PROVIDED FOR INSTRUCTIONAL DESIGN PURPOSES ONLY BASED ON METROLINX GO TRANSIT DESIGN GUIDELINES AND REQUIREMENTS. THE CONSULTANT SHALL VERIFY FOR LOCAL CODE COMPLIANCE, EXISTING SITE CONDITIONS AND INTER DISCIPLINARY DRAWING COORDINATION. ALL DIMENSIONS AND SPECIFICATIONS SHOULD BE VERIFIED BY CONSULTANT AND/OR CONTRACTOR BEFORE ACTUAL CONSTRUCTION BEGINS.

GO TRANSIT PROJECT NO. XXXXX

AutoCAD drawing: WSP-048.dwg Aug 15/18 12:31pm

DWG. NO.	TITLE	REV.	DATE	ISSUED FOR	REV.	DATE

DRAWN BY:	DESIGNED BY:
CHECKED BY:	APPROVED BY:
SCALE: N.T.S.	FULL SIZE ONLY



<b>XXXXXX</b> WAYSIDE POWER WAYSIDE POWER STORAGE TRACK DETAILS			
CONTRACT NO. XXXXXXXXXXXX	DWG. NO. WSP-048	REV. 0	SHEET XX