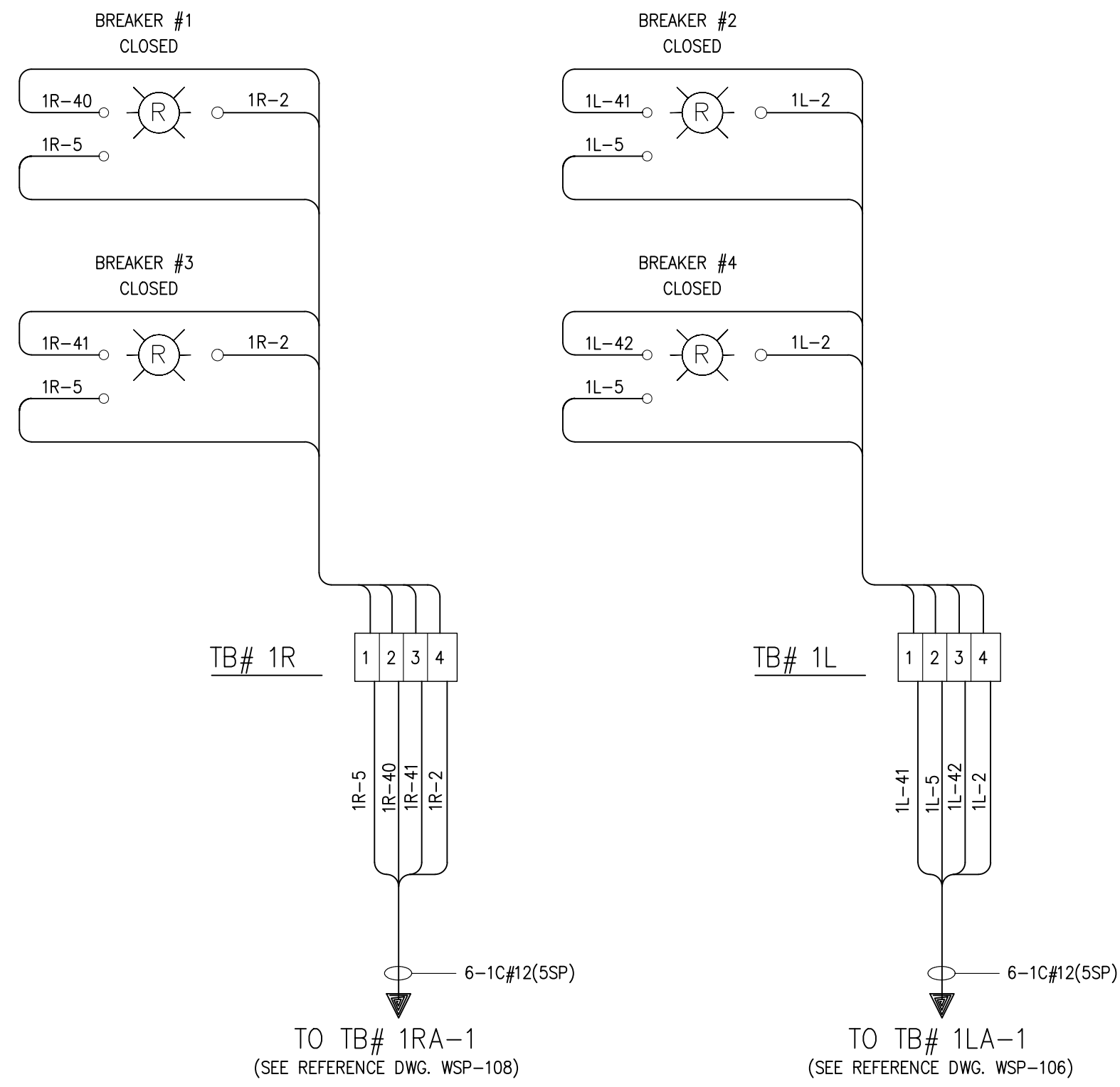


D SIZE 22" x 34" (558.8mm x 863.6mm)

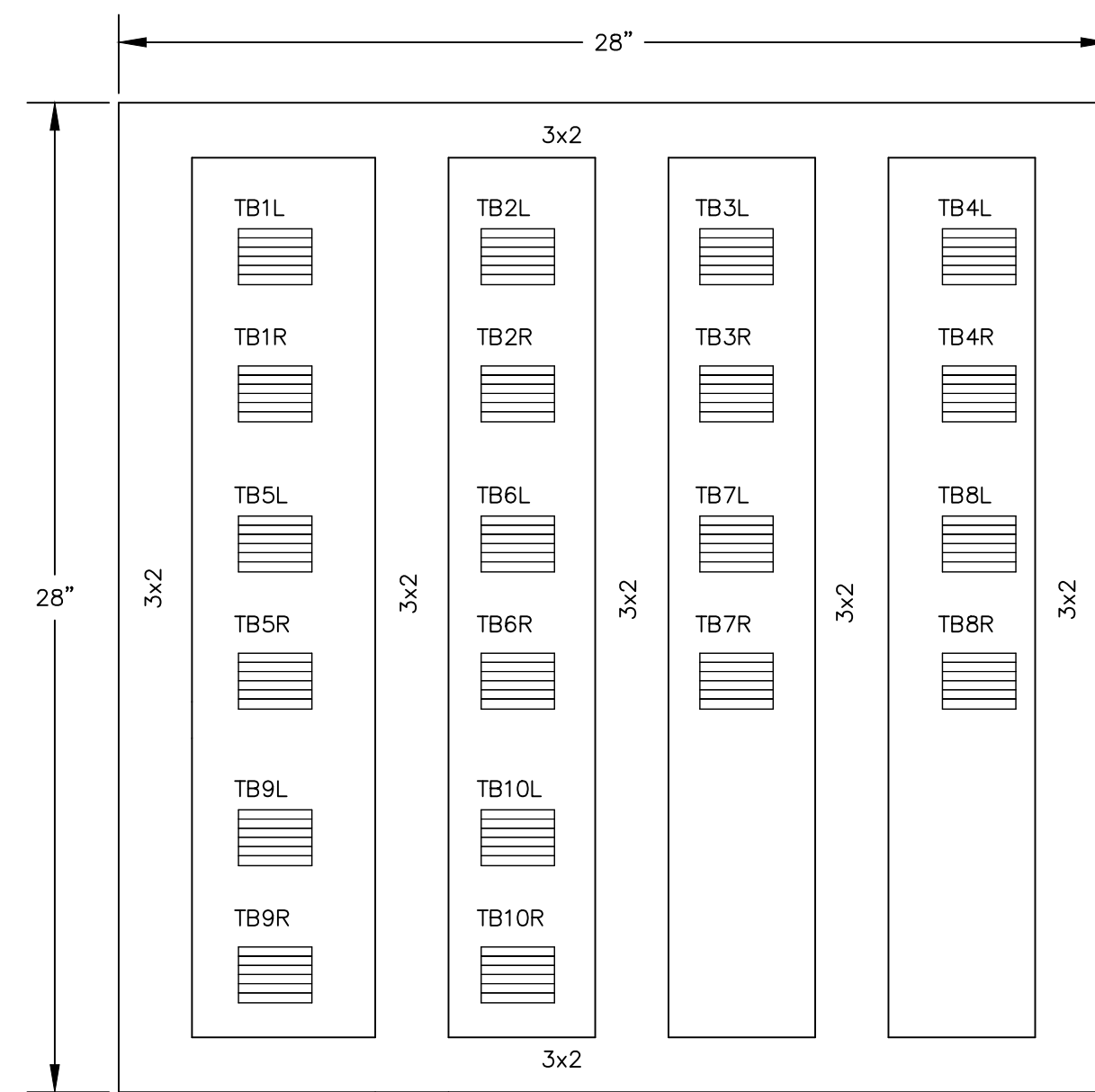
METRIC

ALL DIMENSIONS SHOWN ARE IN METRES AND/OR MILLIMETRES UNLESS OTHERWISE NOTED.

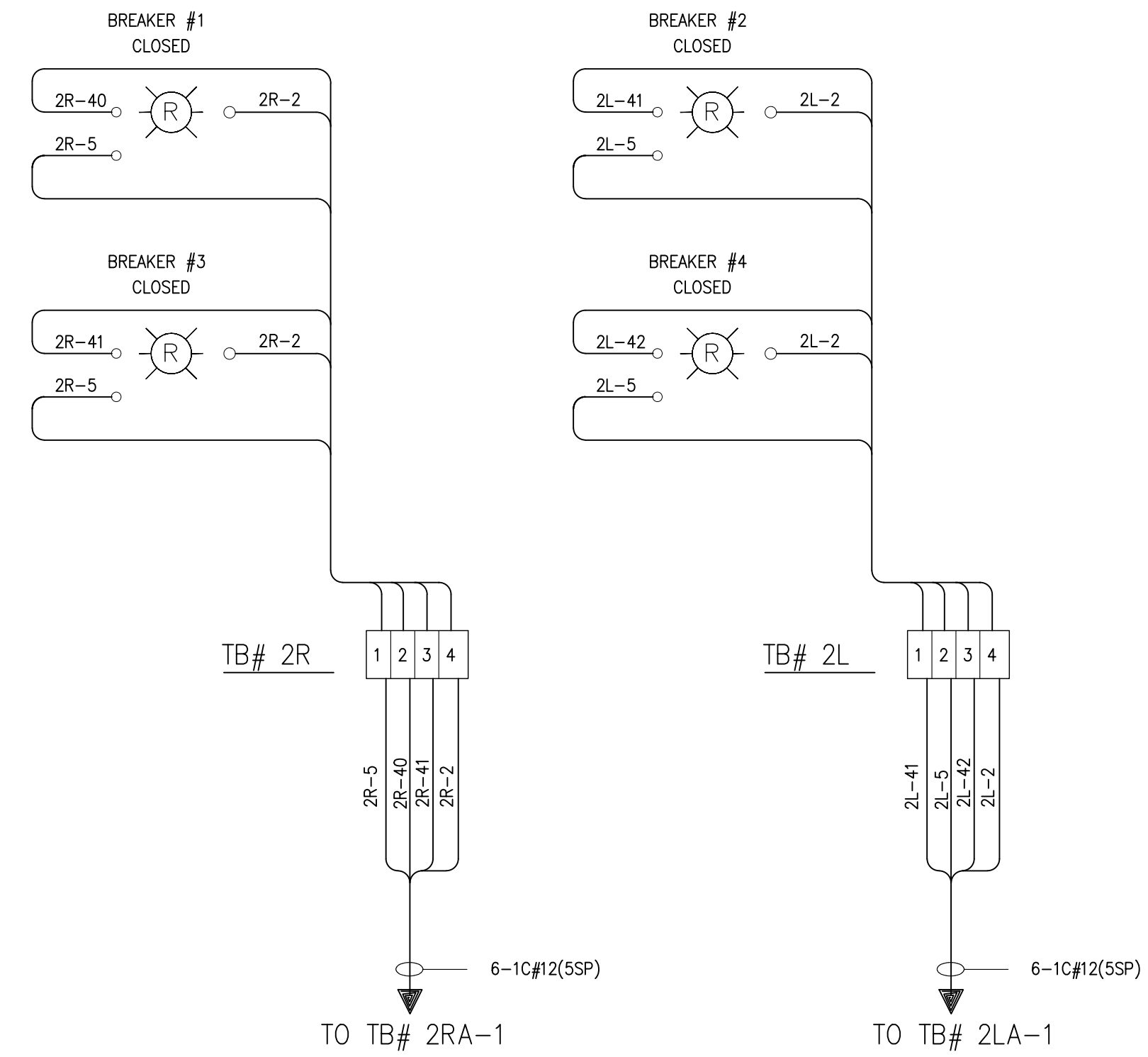
TRAIN #1



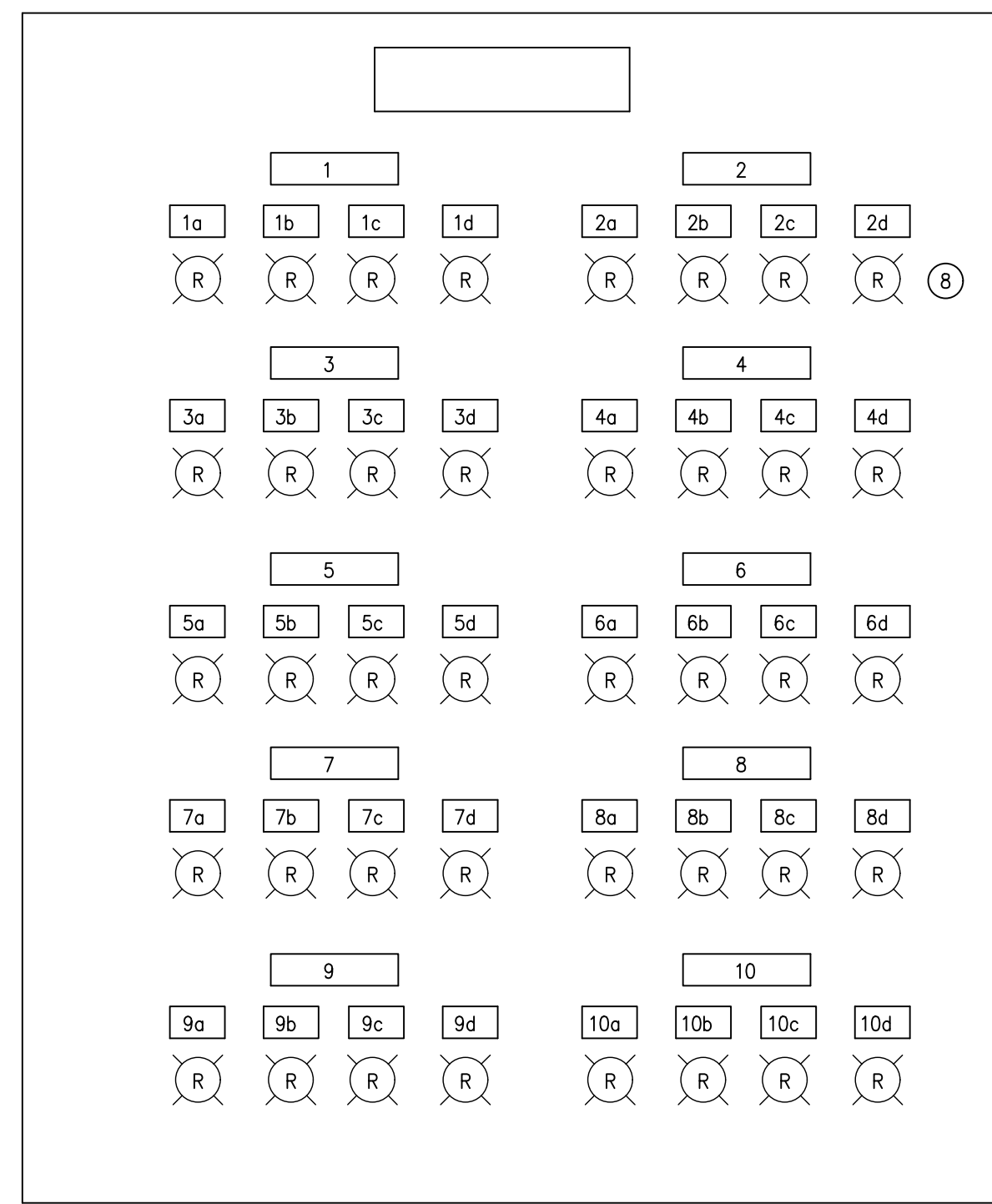
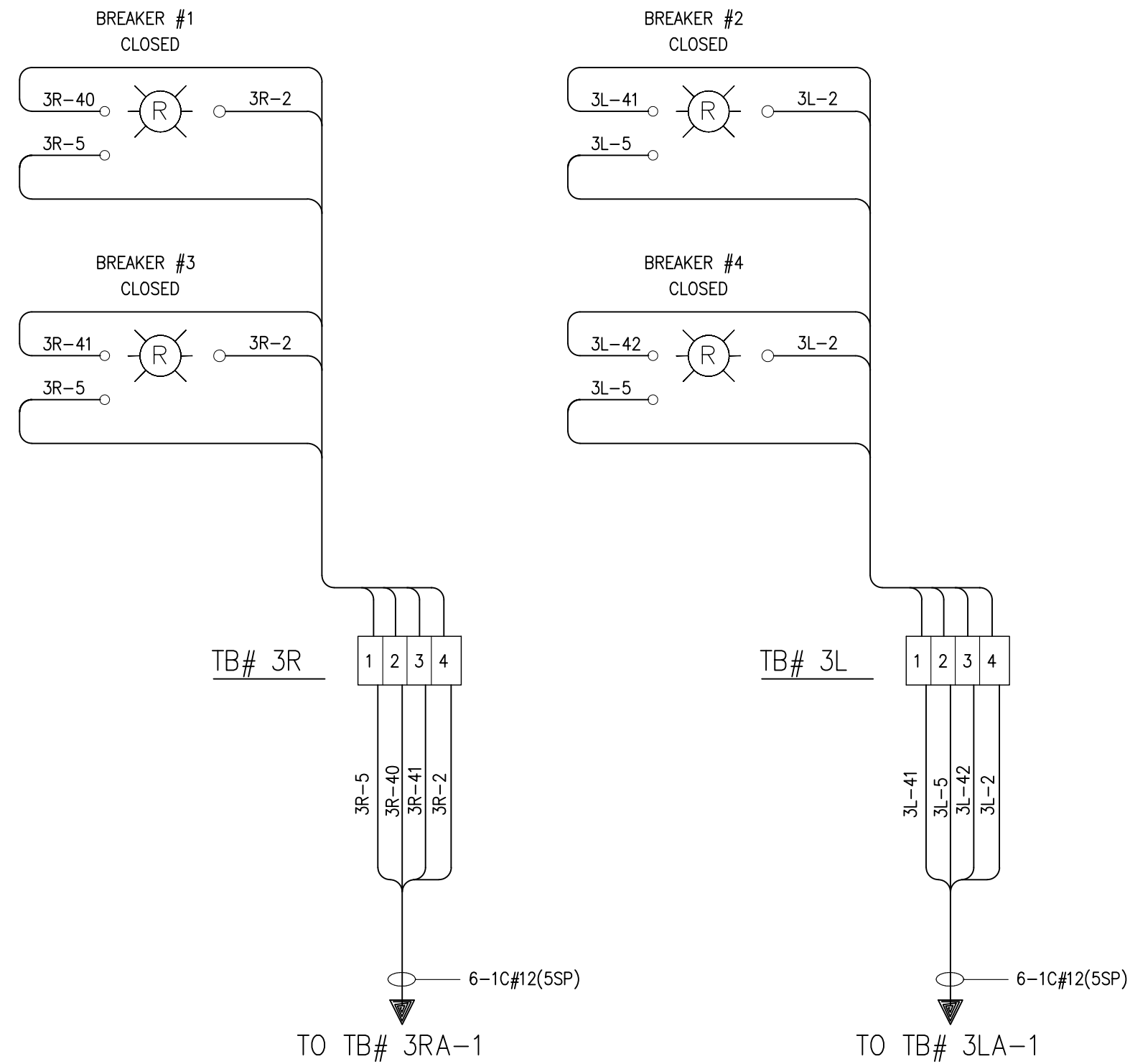
BREAKER INDICATOR PANEL BACKPANEL LAYOUT



TRAIN #2



TRAIN #3

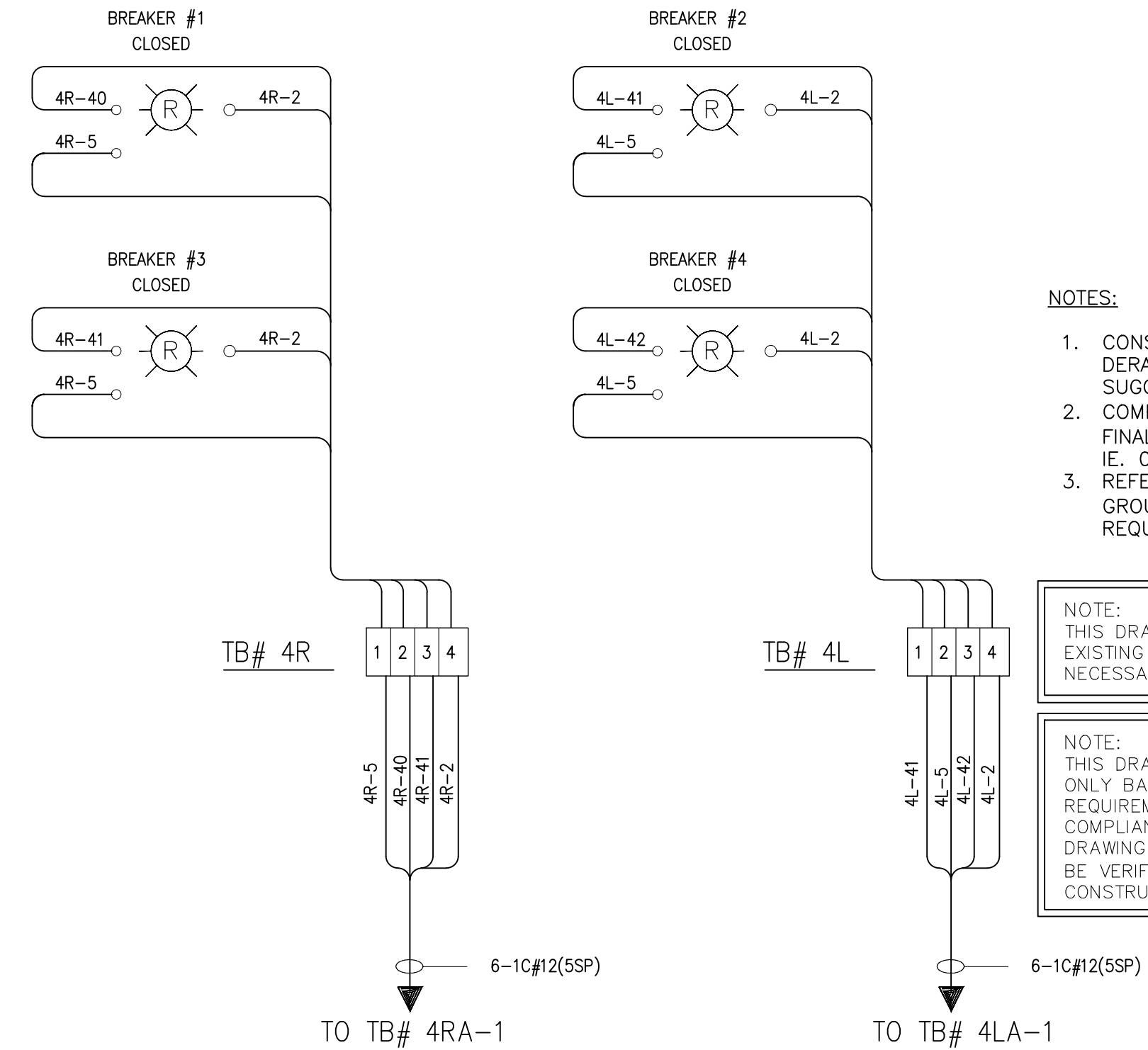


DOOR LAYOUT

NAME PLATE DATA

- TYPICAL
1. TRAIN #1
  - 1a. ISOL. BRKR. #1
  - 1b. ISOL. BRKR. #2
  - 1c. ISOL. BRKR. #3
  - 1d. ISOL. BRKR. #4

TRAIN #4



NOTES:

1. CONSULTANTS ARE TO REVIEW ALL WIRE SIZING TO TAKE INTO ACCOUNT; DERATING AND 3% MAXIMUM VOLTAGE DROP FACTORS. WIRE SIZES ARE SUGGESTIONS ONLY!
2. COMPONENT CROSS REFERENCES SHOWN AS: XXXY WHERE "XX" REP FINAL 2 DIGITS OF DWG # AND "YY" REP QUADRANT LOCATION ON DWG. IE, 02C1 = EDD-W1-002 QUAD, C1
3. REFER TO ELECTRIFICATION STANDARDS AND SPECIFICATIONS FOR GROUNDING AND BONDING, EMI/EMF WITHSTAND REQUIREMENTS, CABLING REQUIREMENTS.

NOTE: THIS DRAWING IS TO BE USED ONLY AS A REFERENCE DRAWING FOR EXISTING INSTALLATIONS AND EXPANSION OF EXISTING EQUIPMENT AS NECESSARY. NOT TO BE USED IN NEW DESIGNS.

NOTE: THIS DRAWING IS PROVIDED FOR INSTRUCTIONAL DESIGN PURPOSES ONLY BASED ON METROLINX GO TRANSIT DESIGN GUIDELINES AND REQUIREMENTS. THE CONSULTANT SHALL VERIFY FOR LOCAL CODE COMPLIANCE, EXISTING SITE CONDITIONS AND INTER DISCIPLINARY DRAWING COORDINATION. ALL DIMENSIONS AND SPECIFICATIONS SHOULD BE VERIFIED BY CONSULTANT AND/OR CONTRACTOR BEFORE ACTUAL CONSTRUCTION BEGINS.

GO TRANSIT PROJECT NO. XX

REFERENCE DRAWINGS		ISSUE		REVISIONS		DRAWN BY: XX XX	DESIGNED BY: XX XX		XXXXXX WAYSIDE POWER BREAKER INDICATOR PANEL WIRING DIAGRAM		CONTRACT NO. XX	DWG. NO. WSP-126	REV. 0	SHEET XX XX
						CHECKED BY: XX XX	APPROVED BY: XX XX							
						SCALE: N.T.S. FULL SIZE ONLY								
DWG. NO.	TITLE	REV.	DATE	ISSUED FOR	REV.	DATE								

Aug 15, 2018, 12:32pm, Login: nome: orck6969  
 Drawing Name: C:\Users\orck6969\Desktop\WSP-126.dwg