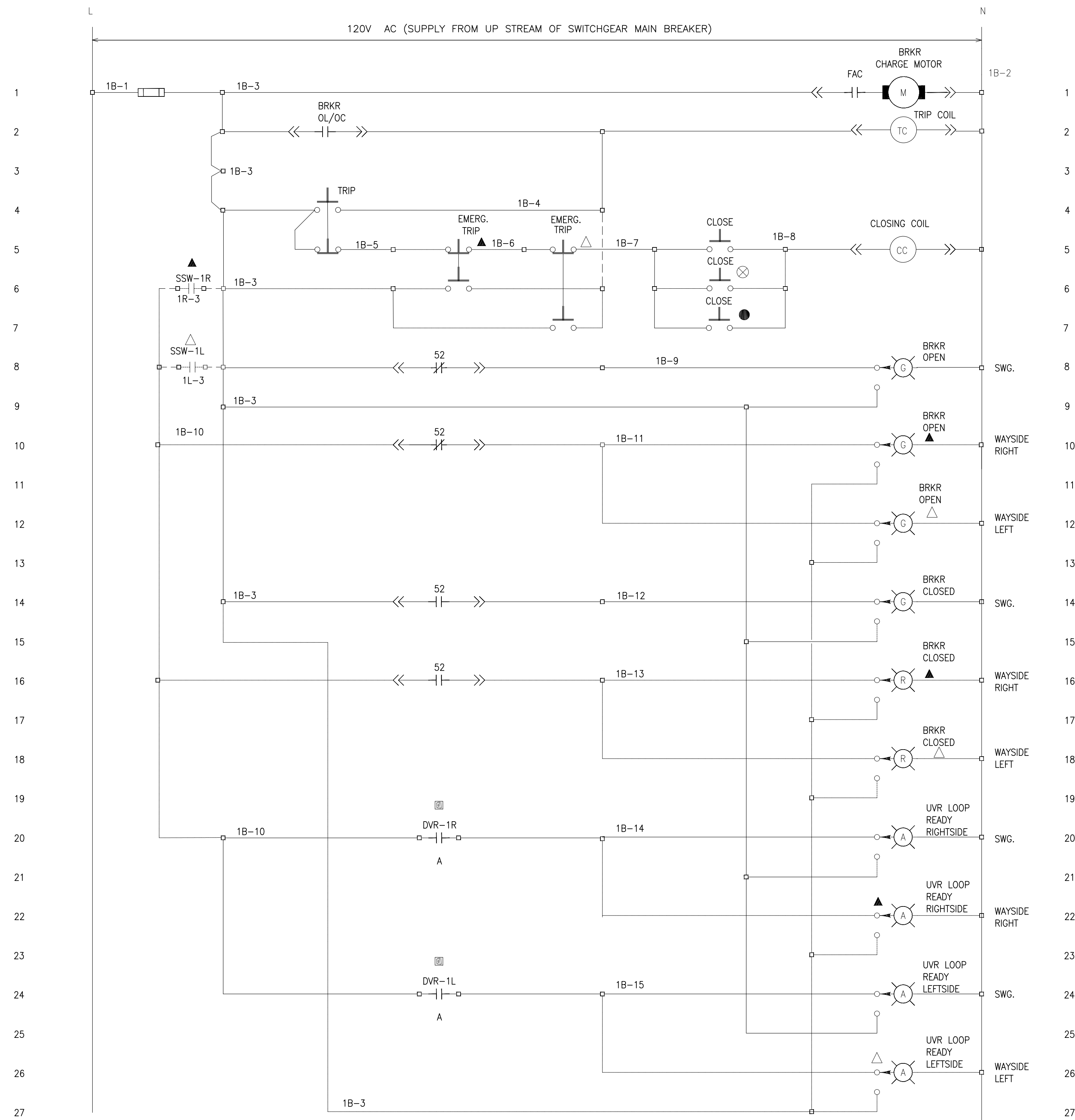
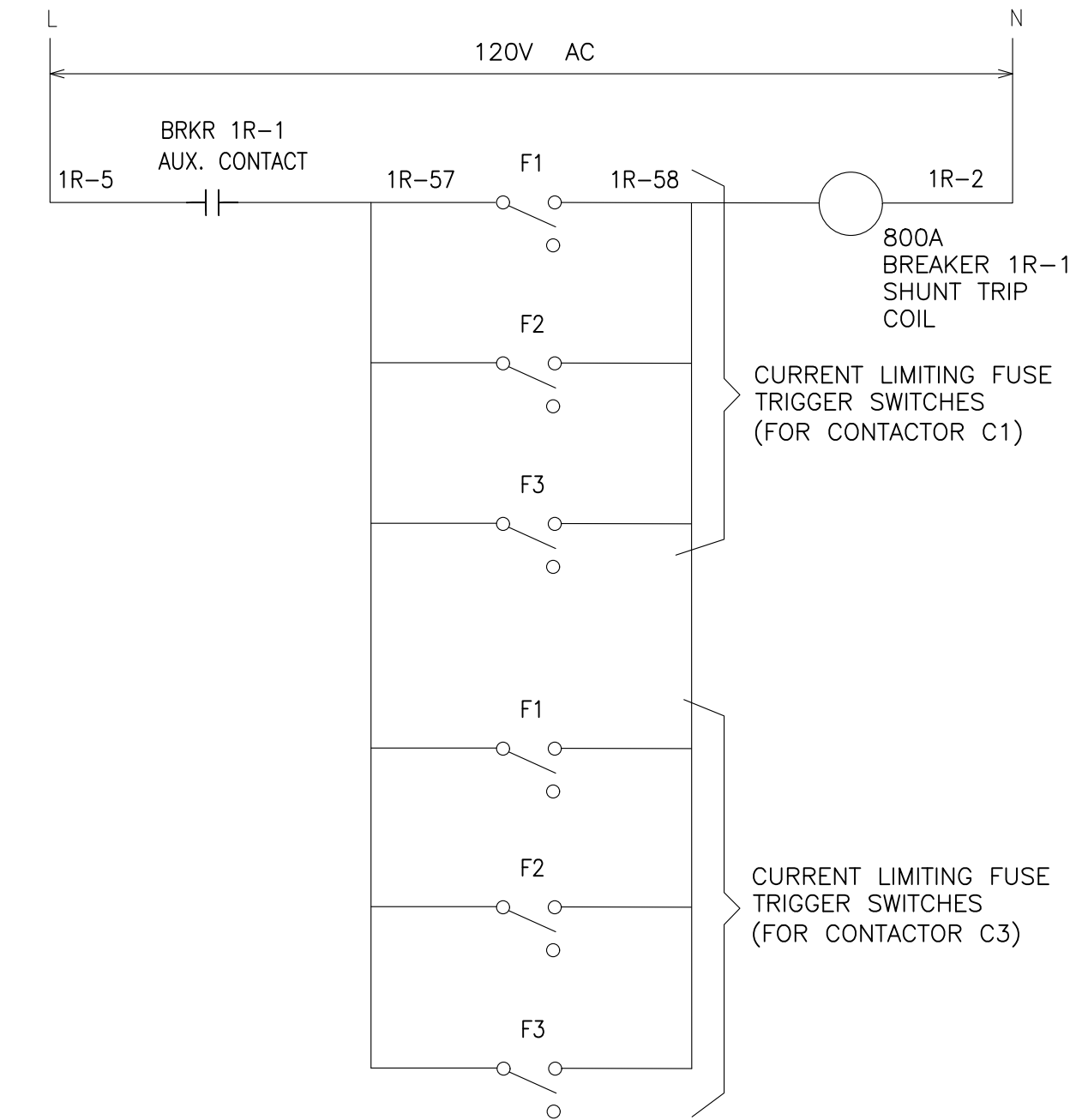


D SIZE 22" x 34" (558.8mm x 863.6mm)

BREAKER CONTROL SCHEMATIC



CURRENT LIMITING FUSE TRIGGER SWITCHES SCHEMATIC RIGHT SIDE (SIMILAR FOR LEFT SIDE)



METRIC

ALL DIMENSIONS SHOWN ARE IN METRES AND/OR MILLIMETRES UNLESS OTHERWISE NOTED.

LEGEND

- DEVICE LOCATED IN RELAY PANEL
- ▲ DEVICE LOCATED IN WAYSIDE CONTROL PANEL RIGHT SIDE
- △ DEVICE LOCATED IN WAYSIDE CONTROL PANEL LEFT SIDE
- DEVICE LOCATED IN WAYSIDE CONTACTOR PANEL RIGHT SIDE
- ⊗ DEVICE LOCATED IN WAYSIDE CONTACTOR PANEL LEFT SIDE
- TERMINAL LOCATED IN BREAKER COMPARTMENT
- INDICATE EXTERNAL WIRING

NOTE: DEVICE NOT DESIGNED BY LOCATION SYMBOL ABOVE ARE LOCATED IN BREAKER COMPARTMENT

NOTES:

1. TYPICAL FOR ALL CIRCUIT BREAKERS.
2. REFER TO ELECTRIFICATION STANDARDS AND SPECIFICATIONS FOR GROUNDING AND BONDING, EMI/EMF WITHSTAND REQUIREMENTS, CABLING REQUIREMENTS.

NOTE: THIS DRAWING IS TO BE USED ONLY AS A REFERENCE DRAWING FOR EXISTING INSTALLATIONS AND EXPANSION OF EXISTING EQUIPMENT AS NECESSARY. NOT TO BE USED IN NEW DESIGNS.

NOTE: THIS DRAWING IS PROVIDED FOR INSTRUCTIONAL DESIGN PURPOSES ONLY BASED ON METROLINX GO TRANSIT DESIGN GUIDELINES AND REQUIREMENTS. THE CONSULTANT SHALL VERIFY FOR LOCAL CODE COMPLIANCE, EXISTING SITE CONDITIONS AND INTER DISCIPLINARY DRAWING COORDINATION. ALL DIMENSIONS AND SPECIFICATIONS SHOULD BE VERIFIED BY CONSULTANT AND/OR CONTRACTOR BEFORE ACTUAL CONSTRUCTION BEGINS.

GO TRANSIT PROJECT NO. XX

REF. NO.	REFERENCE DRAWINGS	ISSUE	REVISIONS	DRAWN BY:	DESIGNED BY:	
				XX XX	XX XX	
				CHECKED BY:	APPROVED BY:	
				XX XX	XX XX	
				SCALE: N.T.S. FULL SIZE ONLY		
DWG. NO.	TITLE	REV.	DATE	ISSUED FOR	REV.	DATE



XXXXXX  
WAYSIDE POWER  
TYPICAL 600V SWITCHGEAR  
MAIN FEEDER BREAKER SCHEMATIC

CONTRACT NO. XX	DWG. NO. WSP-103	REV. 0	SHEET XX XX
--------------------	---------------------	-----------	----------------

Aug 15, 2018, 12:31pm, Login name: orade6969, Drawing Name: C:\Users\orade6969\Desktop\WSP-103.dwg