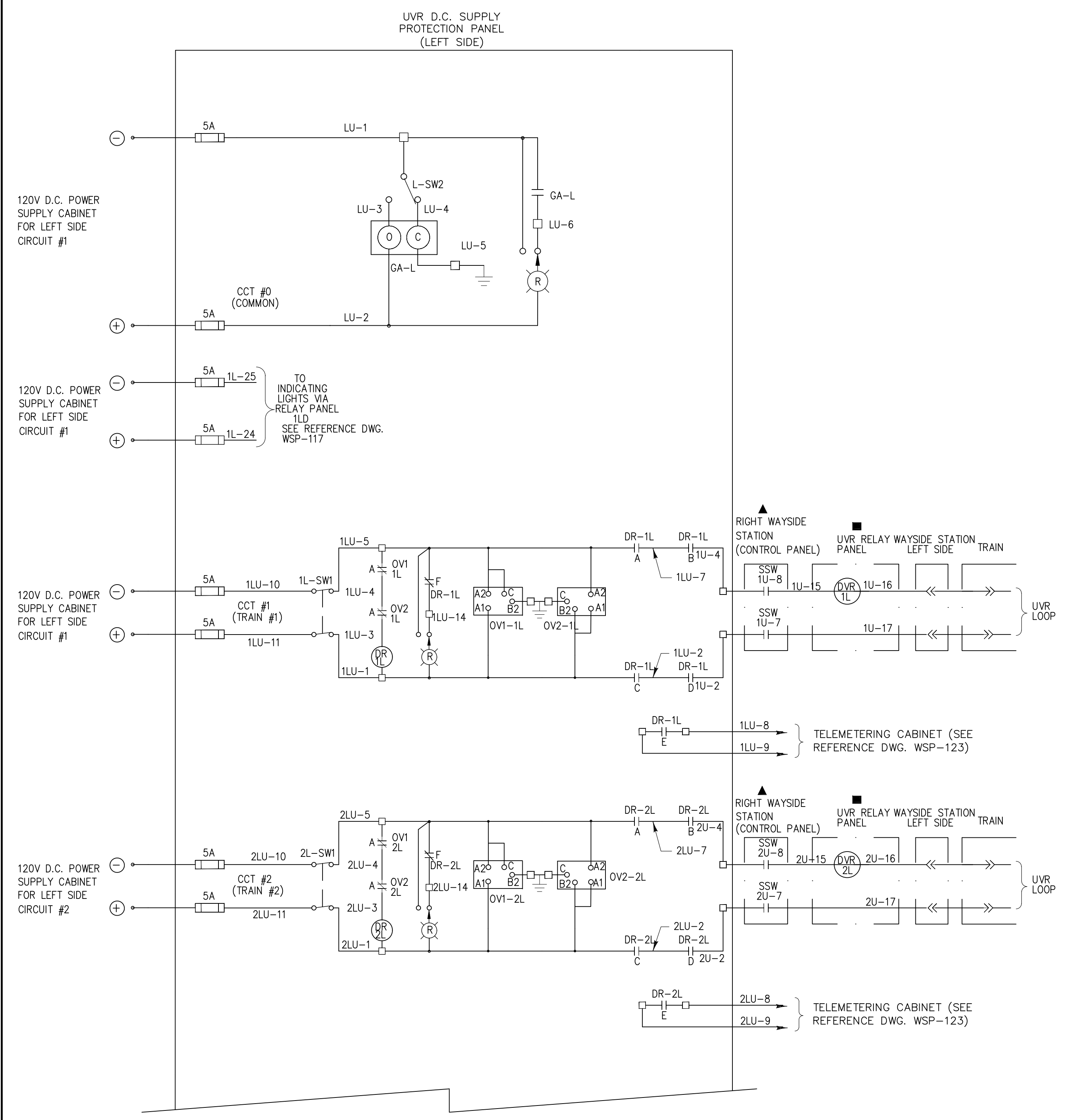


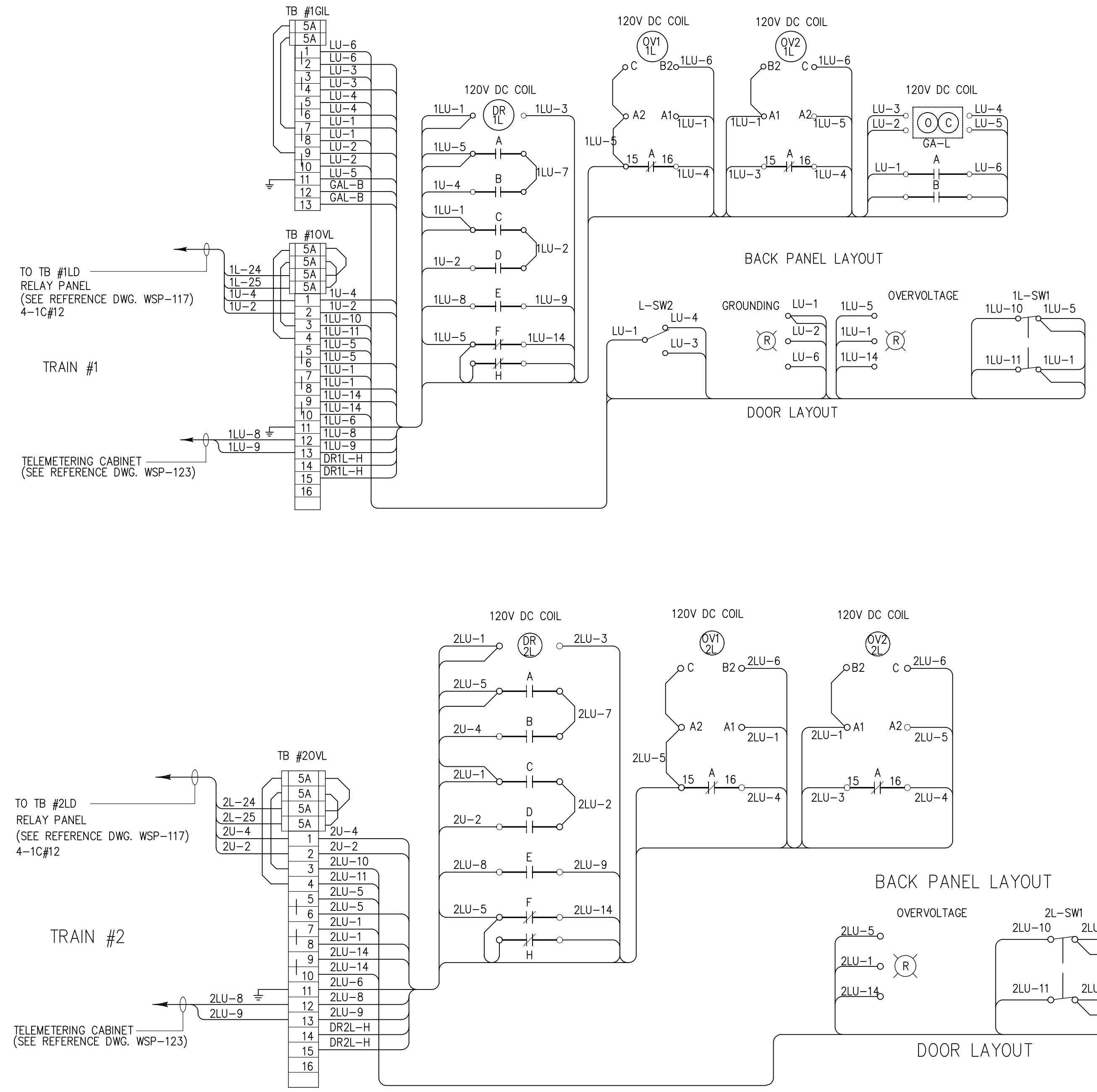
D SIZE 22" x 34" (558.8mm x 863.6mm)

METRIC

ALL DIMENSIONS SHOWN ARE IN METRES AND/OR MILLIMETRES UNLESS OTHERWISE NOTED.



CONTINUED ON WSP-120



NOTES:

- CONSULTANTS ARE TO REVIEW ALL WIRE SIZING TO TAKE INTO ACCOUNT; DERATING AND 3% MAXIMUM VOLTAGE DROP FACTORS. WIRE SIZES ARE SUGGESTIONS ONLY!
- COMPONENT CROSS REFERENCES SHOWN AS: XXXY WHERE "XX" REPRESENTS FINAL 2 DIGITS OF REFERENCE DRAWING # AND "YY" REPRESENTS QUADRANT LOCATION ON DWG. I.E. 02C1 = WSP-102 QUAD. C1.
- REFER TO ELECTRIFICATION STANDARDS AND SPECIFICATIONS FOR GROUNDING AND BONDING, EMI/EMF WITHSTAND REQUIREMENTS, CABLING REQUIREMENTS

NOTE:
THIS DRAWING IS TO BE USED ONLY AS A REFERENCE DRAWING FOR EXISTING INSTALLATIONS AND EXPANSION OF EXISTING EQUIPMENT AS NECESSARY. NOT TO BE USED IN NEW DESIGNS.

NOTE:
THIS DRAWING IS PROVIDED FOR INSTRUCTIONAL DESIGN PURPOSES ONLY BASED ON METROLINX GO TRANSIT DESIGN GUIDELINES AND REQUIREMENTS. THE CONSULTANT SHALL VERIFY FOR LOCAL CODE COMPLIANCE, EXISTING SITE CONDITIONS AND INTER DISCIPLINARY DRAWING COORDINATION. ALL DIMENSIONS AND SPECIFICATIONS SHOULD BE VERIFIED BY CONSULTANT AND/OR CONTRACTOR BEFORE ACTUAL CONSTRUCTION BEGINS.

GO TRANSIT PROJECT NO. XX

REFERENCE DRAWINGS	ISSUE	REVISIONS	DRAWN BY:	DESIGNED BY:		
			XX XX	XX XX		
			CHECKED BY:	APPROVED BY:		
			XX XX	XX XX		
			SCALE: N.T.S.	FULL SIZE ONLY		
DWG. NO.	TITLE	REV.	DATE	ISSUED FOR	REV.	DATE



XXXXXX
WAYSIDE POWER
UVR DC SUPPLY CIRCUIT PROTECTION
LEFT SIDE (1 OF 2)

CONTRACT NO. XX	DWG. NO. WSP-119	REV. 0	SHEET XX XX
--------------------	---------------------	-----------	----------------

Aug 15, 2018, 12:32pm, Login Name: orck4669, Drawing Name: C:\Users\orck4669\Desktop\WSP\WSP-119.dwg