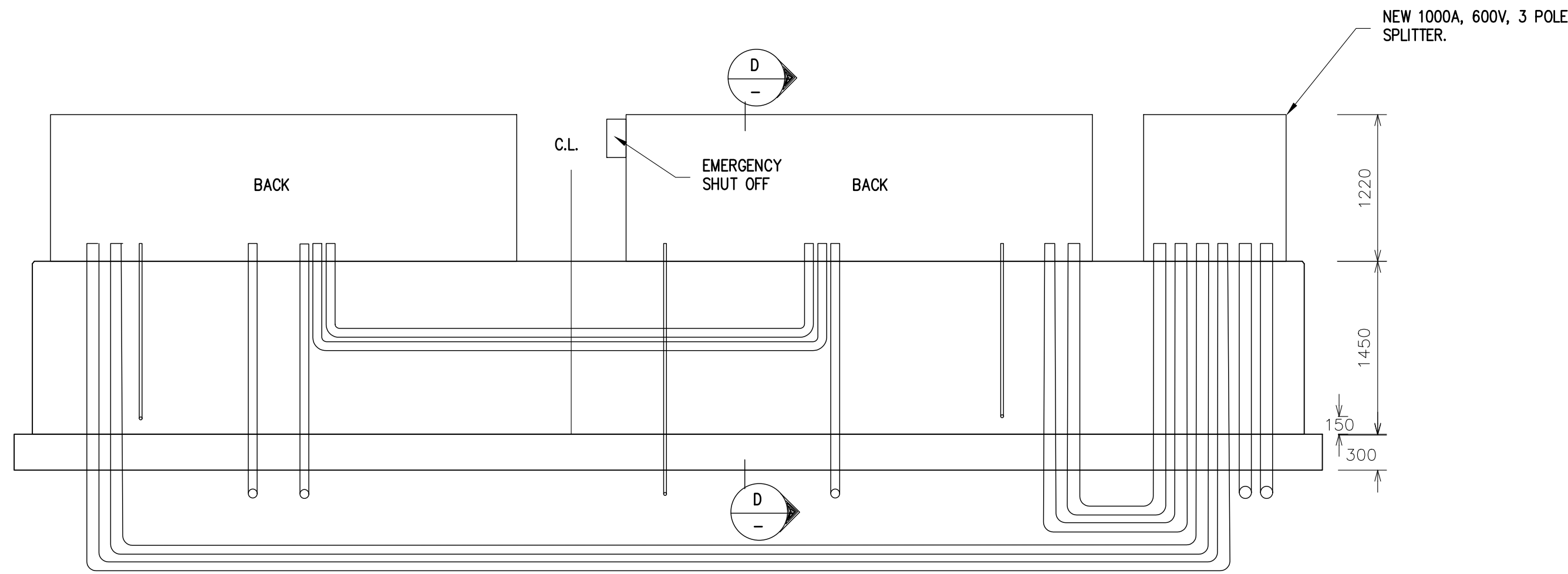


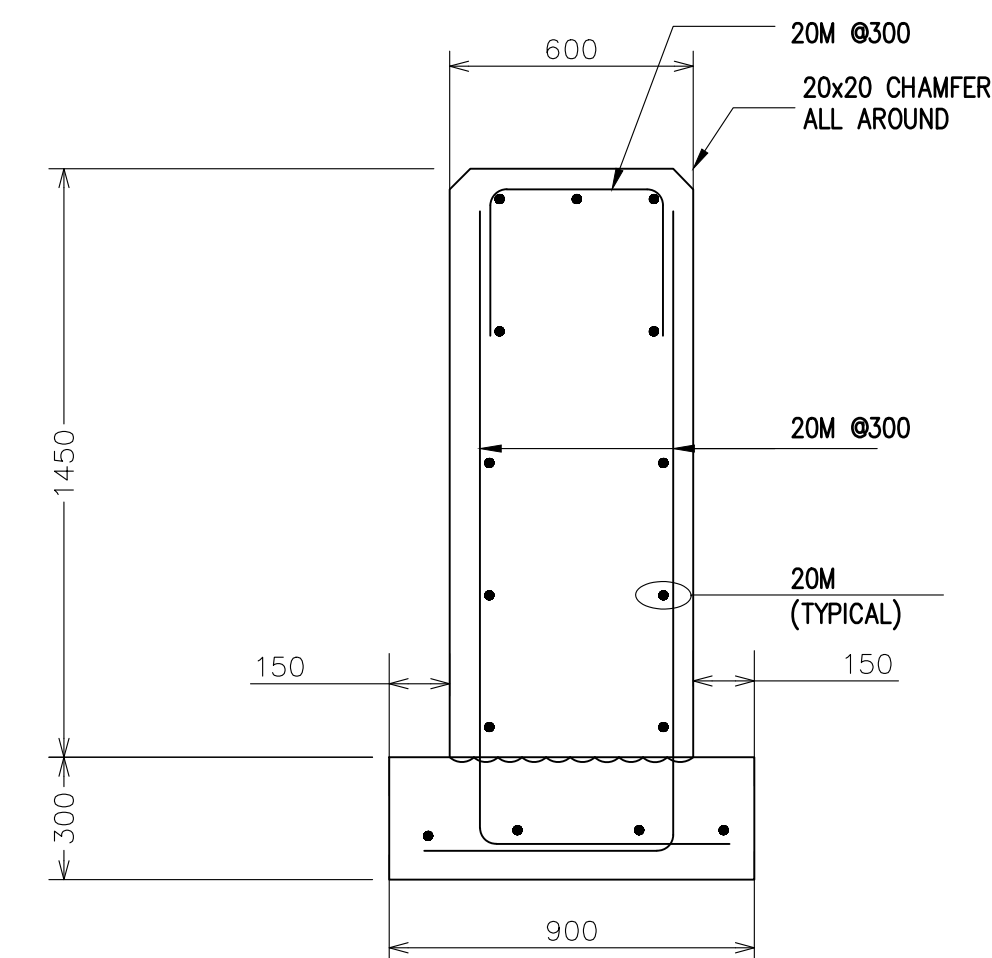
NOTE:  
TRACK 6 PEDESTAL CONDUIT LAYOUT CONSTRUCTED IN REVERSE LAYOUT VERIFY IN FIELD PRIOR TO WAYSIDE CABINET CONSTRUCTION

PLAN  
FOR DOUBLE ENCLOSURE  
SCALE N.T.S.

NEW 1000A, 600V, 3 POLE SPLITTER.  
ADD WAYSIDE POWER CABINET SPLITTERS PER FI #46 & 60 CO #02



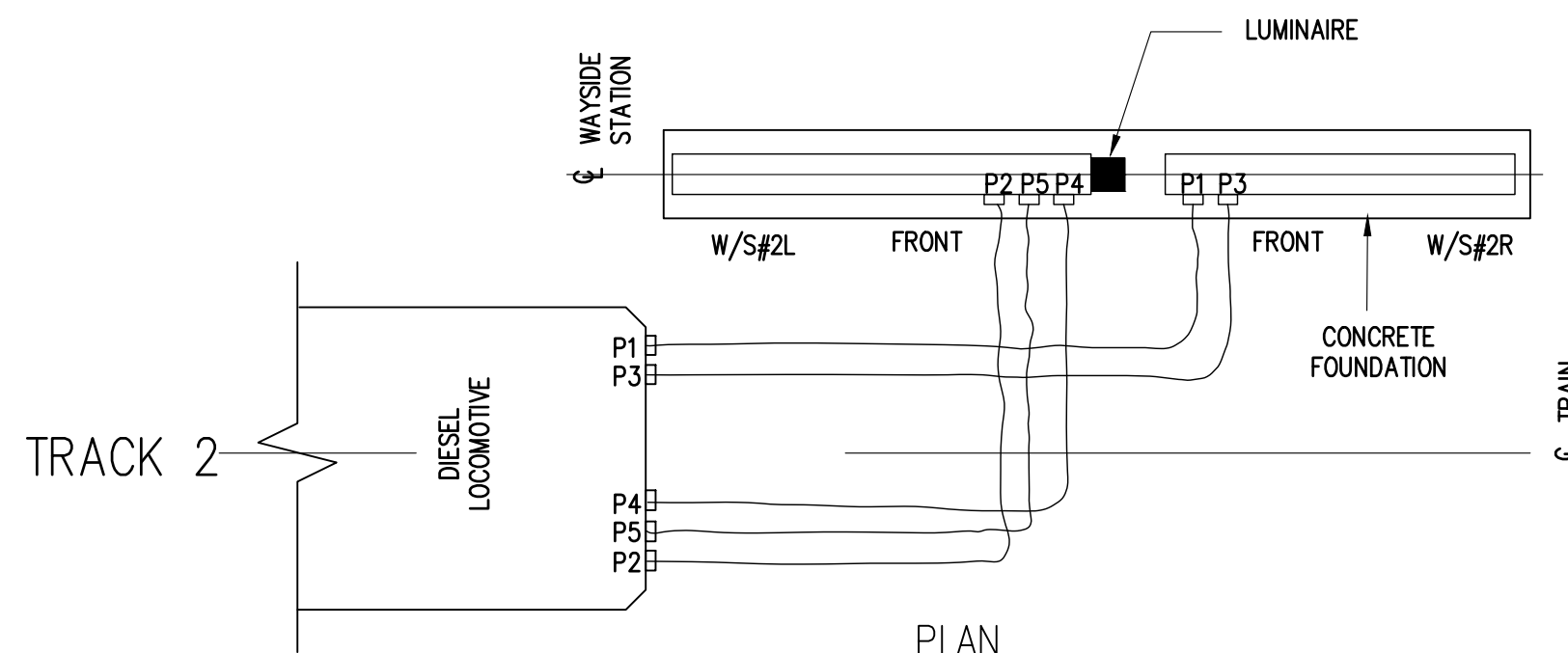
REAR ELEVATION  
FOR DOUBLE ENCLOSURE  
SCALE N.T.S.



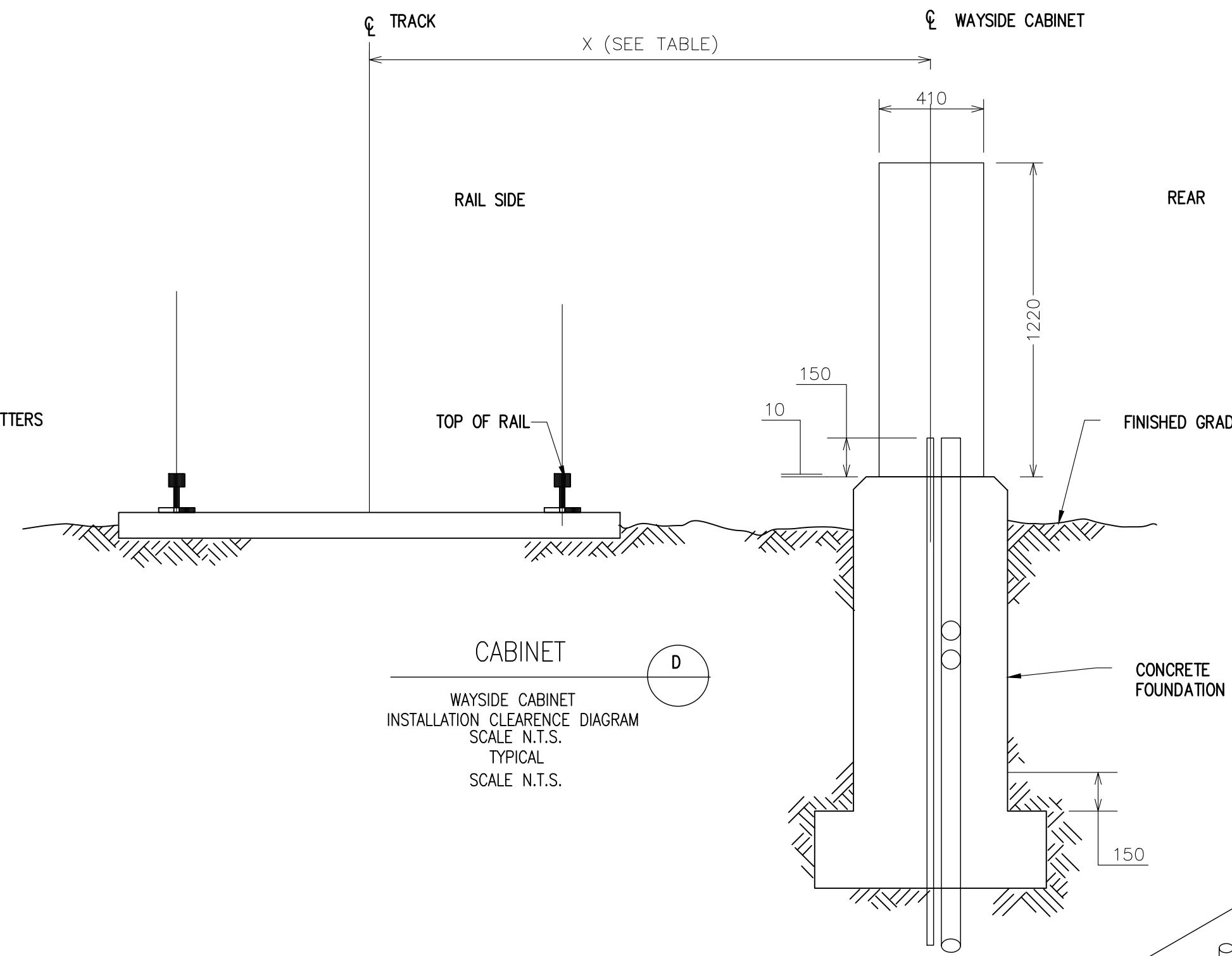
SECTION  
SCALE N.T.S.

WAYSIDE CABINET	X (mm)
#1	2135
#2	2135
#3	2135
#4	2135
#5	2135
#6	2135

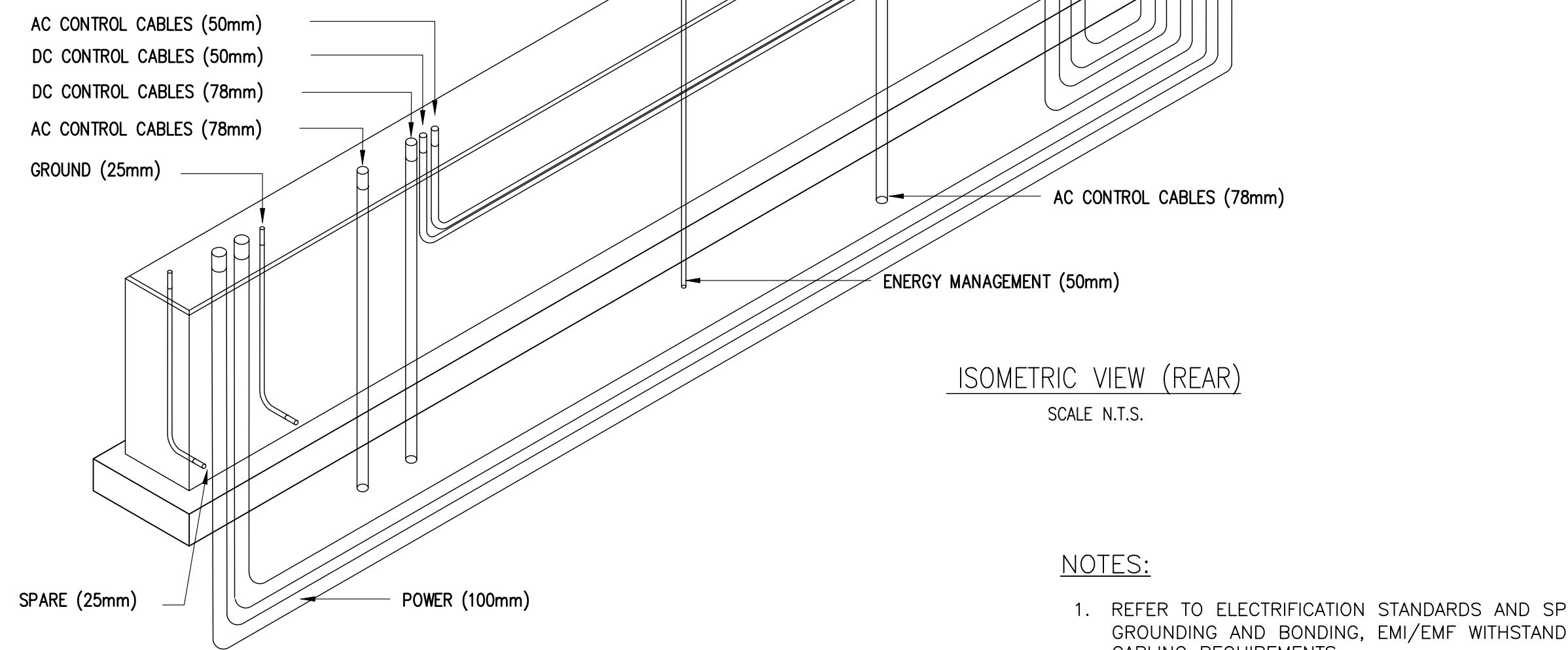
TABLE  
WAYSIDE CABINETS CONSTRUCTED INSIDE TRACK  
CLEARANCE ENVELOPE CONFIRM DIMENSIONS IN FIELD



PLAN  
WAYSIDE STATION INSTALLATION CONFIGURATION  
SCALE N.T.S.



ISOMETRIC VIEW (REAR)  
SCALE N.T.S.



NOTES:

- REFER TO ELECTRIFICATION STANDARDS AND SPECIFICATIONS FOR GROUNDING AND BONDING, EMI/EMF WITHSTAND REQUIREMENTS, CABLING REQUIREMENTS

NOTE:  
THIS DRAWING IS TO BE USED ONLY AS A REFERENCE DRAWING FOR EXISTING INSTALLATIONS AND EXPANSION OF EXISTING EQUIPMENT AS NECESSARY. NOT TO BE USED IN NEW DESIGNS.

NOTE:  
THIS DRAWING IS PROVIDED FOR INSTRUCTIONAL DESIGN PURPOSES ONLY BASED ON METROLINX GO TRANSIT DESIGN GUIDELINES AND REQUIREMENTS. THE CONSULTANT SHALL VERIFY FOR LOCAL CODE COMPLIANCE, EXISTING SITE CONDITIONS AND INTER DISCIPLINARY DRAWING COORDINATION. ALL DIMENSIONS AND SPECIFICATIONS SHOULD BE VERIFIED BY CONSULTANT AND/OR CONTRACTOR BEFORE ACTUAL CONSTRUCTION BEGINS.

GO TRANSIT PROJECT NO. XX



XXXXXX  
WAYSIDE POWER  
WAYSIDE CABINET STRUCTURAL DETAILS

REFERENCE DRAWINGS	ISSUE	REVISIONS	DRAWN BY:	DESIGNED BY:
			XX XX	XX XX
			CHECKED BY:	APPROVED BY:
			XX XX	XX XX
			SCALE: N.T.S.	FULL SIZE ONLY
DWG. NO.	TITLE	REV. DATE	ISSUED FOR	REV. DATE

CONTRACT NO. XX	DWG. NO. WSP-113	REV. 0	SHEET XX XX
--------------------	---------------------	-----------	----------------