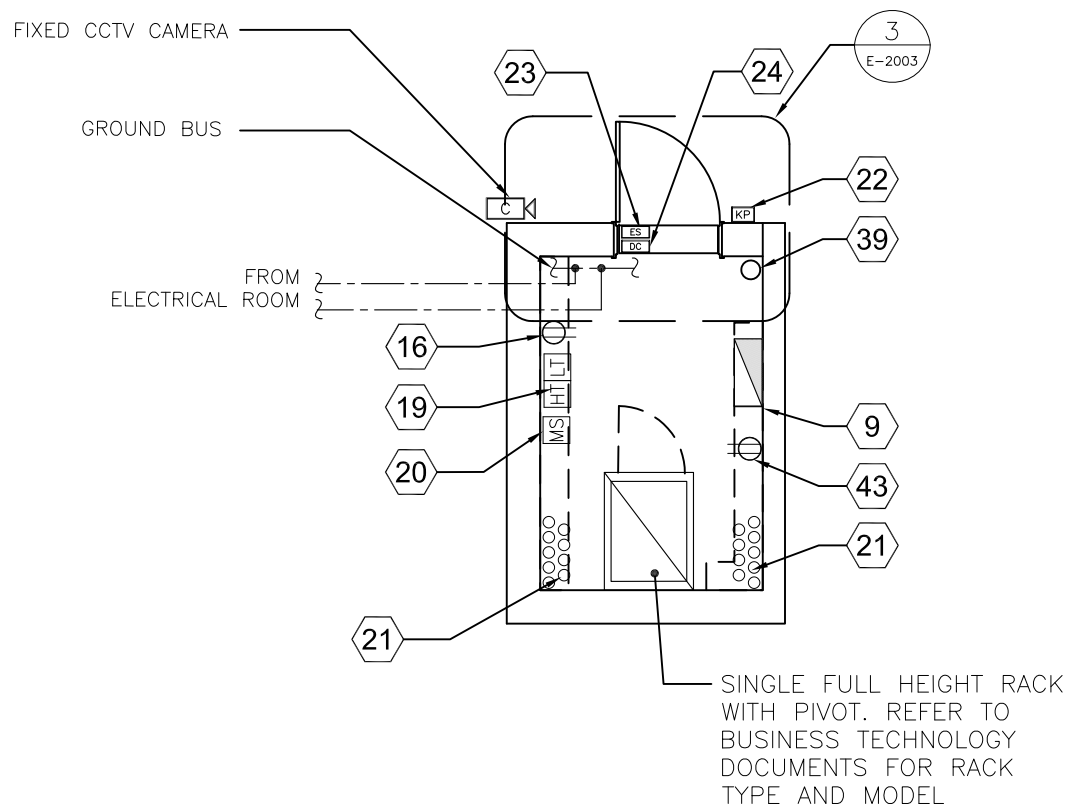


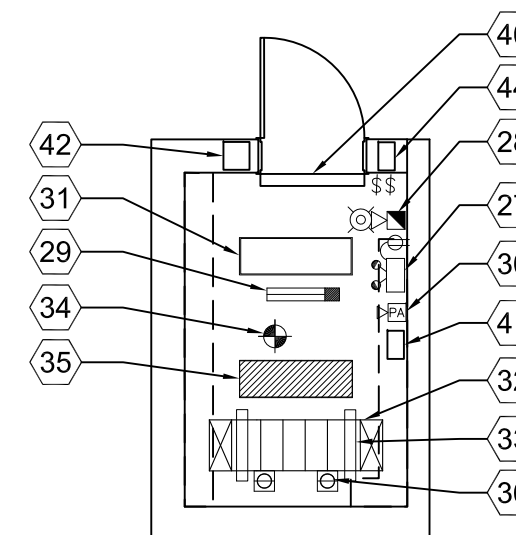
DRAWING NOTES:

1. TELEPHONE INFRASTRUCTURE TO BE MOUNTED ON WALL IN COMMUNICATION ROOM (NOT SHOWN)
2. DATA OUTLETS ARE NOT SHOWN. CONSULTANT/ CONTRACTOR TO DETERMINE QUANTITIES AND LOCATIONS BASED ON PROJECT REQUIREMENTS.
3. ALL THE POWER RECEPTACLES ARE NOT SHOWN. CONSULTANT/ CONTRACTOR TO DETERMINE QUANTITIES AND LOCATIONS BASED ON PROJECT REQUIREMENTS.

PLEASE REFER TO 165-SER-E-2002A FOR NOTES AND ITEM DESCRIPTIONS

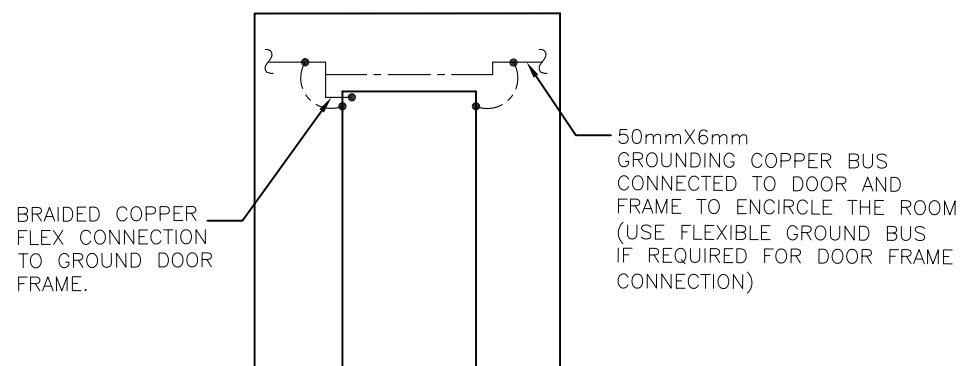


MINI-HUB ROOM - PLAN 1
E-2003



PLEASE REFER TO 165-SER-2-2002A FOR NOTES AND ITEM DESCRIPTIONS

MINI-HUB ROOM - REFLECTED CEILING PLAN 2
E-2003



TYPICAL GROUNDING COPPER BUS ON WALL 3
E-2003

NOTE:
THIS DRAWING IS PROVIDED FOR INSTRUCTIONAL DESIGN PURPOSES ONLY BASED ON METROLINX GO TRANSIT DESIGN GUIDELINES AND REQUIREMENTS. THE CONTRACTED PARTY SHALL VERIFY FOR LOCAL CODE COMPLIANCE, EXISTING SITE CONDITIONS AND INTER DISCIPLINARY DRAWING COORDINATION. ALL DIMENSIONS AND SPECIFICATIONS SHOULD BE VERIFIED BY CONTRACTED PARTY AND/OR CONTRACTOR BEFORE CONSTRUCTION BEGINS.

METROLINX PROJECT NO.

| | | | | | | | | | | | |
|--------------------|-------|-------|----------|---------------|------|--|--|---|---|-------|--|
| REFERENCE DRAWINGS | | ISSUE | | REVISIONS | | DRAWN BY: X.X.X. YY/MM/DD CHECKED BY: X.X.X. YY/MM/DD SCALE: 1:XXX | DESIGNED BY: X.X.X. YY/MM/DD APPROVED BY: X.X.X. YY/MM/DD FULL SIZE ONLY | | XXXXXXXX STATION ----- SAMPLE MINI-HUB/PLATFORM COMMUNICATION ROOM LAYOUT AND CEILING PLAN | | |
| DWG NO. | TITLE | NO. | DATE | ISSUED FOR | REV. | DATE | DWG. NO. | | REV. | SHEET | |
| | | 0 | 21/03/09 | INITIAL ISSUE | | | 165-SER-E-2003 | 0 | | | |