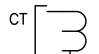
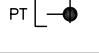
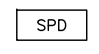
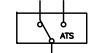
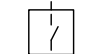


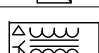
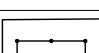
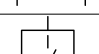
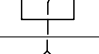



SAMPLE ELECTRICAL ROOM LEGEND	
ITEM	DESCRIPTION
1	MAIN ELECTRICAL SWITCHBOARD 3 SECTIONS, SECTION 1/3 UTILITY, SECTION 2/3 MAIN BREAKER, SECTION 3/3 DISTRIBUTION BREAKERS
2	EMERGENCY SWITCHBOARD
3	UTILITY ELECTRICAL METER INCORPORATED INTO MAIN SWITCHBOARD IN SECTION 1/3
4	UNINTERRUPTIBLE POWER SUPPLY (UPS)
5	AUTOMATIC TRANSFER SWITCH
6	UPS BATTERIES
7	WALL MOUNTED TRANSFORMER
8	EXTERNAL MAINTENANCE BYPASS SWITCH
9	LIGHTING CONTACTOR PANEL--XX
10	LIGHTING PANEL--XX
11	DISTRIBUTION PANEL--XX
12	DISTRIBUTION PANEL--XX
13	DISTRIBUTION PANEL--XX
14	HVAC PANEL HVAC-1 600V--XX
15	LIGHTING PANEL--XX
16	LIGHTING CONTACTOR PANEL--XX
17	WALL MOUNTED TRANSFORMER F
18	WALL MOUNTED TRANSFORMER D
19	WALL MOUNTED TRANSFORMER C

SAMPLE ELECTRICAL ROOM LEGEND	
ITEM	DESCRIPTION
20	WALL MOUNTED TRANSFORMER B
21	L4250mmxW2000mmxH150mm CONCRETE PAD
22	L2850mmxW750mmxH150mm CONCRETE PAD
23	SECURITY ENABLE/DISABLE KEYPAD
24	BATTERY PACK LIGHTING WITH REMOTE HEADS
25	LIGHT SWITCH
26	FIRE EXTINGUISHER
27	VENT HOLE CAPPED FOR PORTABLE A/C AT HIGH ELEVATION.
28	120V, 20A DUPLEX RECEPTACLE SURFACE MOUNTED ON WALL. PROVIDE ONE DEDICATED CIRCUIT FOR EVERY TWO RECEPTACLES
29	LIGHTING CONTROL RACK
30	LOUVER AT HIGH ELEVATION
31	FAN AT HIGH ELEVATION
32	INDOOR A/C SPLIT UNIT AT HIGH ELEVATION
33	SMOKE DETECTOR / RATE OF RISE HEAT DETECTOR
34	REQUEST TO EXIT MOTION SENSOR
35	SECURITY SENSOR CONNECT TO CHUBB ALARM PANEL
36	BACKBONE COMMUNICATION CONDUITS C/W FIRE STOP AT FLOOR/WALL PENETRATIONS
37	ELECTRIC FAN FORCED HEATER AT HIGH ELEVATION.
38	RESERVED SPACE FOR PORTABLE A/C UNIT.
39	UPS FOR LIFE SAFETY


SAMPLE EQUIPMENT LEGEND	
ITEM	DESCRIPTION
	CURRENT TRANSFORMER
	POTENTIAL TRANSFORMER
	SURGE PROTECTION DEVICE
	AUTOMATIC TRANSFER SWITCH
	DISCONNECT SWITCH
	STARTER
	DISTRIBUTION PANEL
	TRANSFORMER
	SPLITTER
	DISCONNECT W/LOCKOUT
	DRAW OUT CIRCUIT BREAKER
	MOULDED CASE CIRCUIT BREAKER

ELECTRICAL ROOM GENERAL NOTES:

- THIS IS A GENERAL ROOM LAYOUT FOR ELECTRICAL ROOM TO ILLUSTRATE MAJOR EQUIPMENT REQUIREMENTS. THE ACTUAL ROOM LAYOUT SHALL BE DESIGN TO MEET ALL PROJECT REQUIREMENTS AND PROVIDE 25% SPARE WALL SPACE FOR FUTURE PROJECTS.
- MECHANICAL SYSTEM SHALL BE PROVIDED FOR ELECTRICAL ROOM (A/C SPLIT HEAT PUMP, FAN ETC.). CONTRACTED PARTY SHALL DESIGN THE ELECTRICAL ROOM TO ACCOUNT FOR SPACE REQUIREMENTS FOR THESE MECHANICAL ITEMS. A/C SHALL BE MONITORED BY BAS AND BE ACCESSIBLE AS PER DRM.
- REFER TO DRM FOR DESIGN AND SPECIFICATIONS OF ADDITIONAL EQUIPMENT/DEVICE REQUIREMENTS.
- REFER TO METROLINX ELECTRICAL IDENTIFICATION AND NOMENCLATURE SPECIFICATION FOR IDENTIFYING AND LABELING ALL ELECTRICAL DRAWINGS AND THEIR ELEMENTS.
- ALL ELECTRICAL EQUIPMENT SHALL BE PROVIDED WITH SPRINKLER PROOF ENCLOSURES. WITH NO TOP ENTRY ALLOWED.
- LOCATIONS FOR ROOM HI-LOW TEMPERATURE SENSOR, ROOM MOTION SECURITY SENSOR, LTG CONTROL SENSOR, SHALL BE COORDINATED DURING CONSTRUCTION.
- SINGLE THERMOSTAT TO CONTROL BOTH UNIT HEATER(S) AND AC UNIT(S). HVAC AS PER DRM AND CONDENSATE LINE TO BE PIPED FROM THE UNIT DIRECTLY OUT OF THE ROOM AND NOT DIRECTED TO DRAIN IN BELOW GRADE ROOMS.
- NO MAIN ELECTRICAL ROOM SHALL BE SMALLER THAN 25m² AND SHALL BE RECTANGULAR IN SHAPE.
- ALL FLOOR MOUNTED ELECTRICAL EQUIPMENT INCLUDING BUT NOT LIMITED TO SWITCHGEAR, SWITCHBOARDS, TRANSFORMERS, UPS, UPS BATTERIES, CAPACITOR BANKS AND ATS SHALL BE MOUNTED ON MINIMUM 103MM CONCRETE HOUSEKEEPING PADS, AND SUPPLIED BY BOTTOM ENTRY CONDUITS.
- ALL EQUIPMENT CLEARANCES SHALL CONFORM TO THE ELECTRICAL CODE OR METROLINX DRM - WHICHEVER IS MORE STRINGENT.
- CONTRACTOR TO PROVIDE ARC FLASH BOUNDARIES ON THE FLOOR (PERMANENT MARKINGS). MARKING BOUNDARIES TO BE REVIEWED WITH METROLINX PRIOR TO INSTALLATION.
- ALL COMPONENTS TO BE ARC FLASH IDENTIFIED AS PER CSA Z46.2 OR NFPA 70.
- DOOR FOR ELECTRICAL ROOM SHALL OPEN TO OUTSIDE FOR SAFETY PURPOSES EXCEPT WHEN OPENING INTO TRAFFIC.
- REFER TO SUSTAINABLE DESIGN STANDARD FOR PV SYSTEM INCORPORATION IN THE DESIGN (IF APPLICABLE).
- THE NUMBER AND TYPE OF ELECTRICAL ROOMS ARE DETERMINED BY THE LAYOUT AND SIZE OF THE SITE. REFER TO DRM SERVICE ROOM REQUIREMENTS SECTION FOR DETAILS.
- ALL WALL MOUNTED ITEMS SUCH AS RECEPTACLES, PANELS, FIRE-RATED PLYWOOD ETC. ARE TO BE MOUNTED AT A HEIGHT AS IF LEVEL BOARDING FLOOR LEVELS ARE ALREADY IN PLACE.

NOTE:
THIS DRAWING IS PROVIDED FOR INSTRUCTIONAL DESIGN PURPOSES ONLY BASED ON METROLINX GO TRANSIT DESIGN GUIDELINES AND REQUIREMENTS. THE CONTRACTED PARTY SHALL VERIFY FOR LOCAL CODE COMPLIANCE, EXISTING SITE CONDITIONS AND INTER DISCIPLINARY DRAWING COORDINATION. ALL DIMENSIONS AND SPECIFICATIONS SHOULD BE VERIFIED BY CONTRACTED PARTY AND/OR CONTRACTOR BEFORE CONSTRUCTION BEGINS.

METROLINX PROJECT NO.

REFERENCE DRAWINGS		ISSUE		REVISIONS		DRAWN BY: X.X.X. YY/MM/DD	DESIGNED BY: X.X.X. YY/MM/DD		XXXXXXX STATION		
						CHECKED BY: X.X.X. YY/MM/DD	APPROVED BY: X.X.X. YY/MM/DD		----- SAMPLE ELECTRICAL ROOM LAYOUT LEGEND AND NOTES - SHEET 1 OF 2		
						SCALE: 1:XXX	FULL SIZE ONLY				
DWG. NO.	TITLE	NO.	DATE	ISSUED FOR	REV.	DATE				DWG. NO.	REV.
		0	21/03/09	INITIAL ISSUE					165-SER-E-2001A	0	2